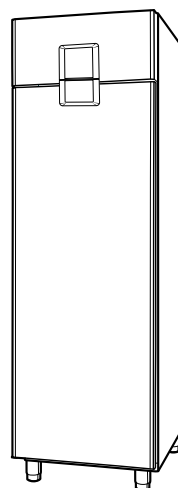


Ecostore Vertical refrigerators

Prostore



EN Installation manual *

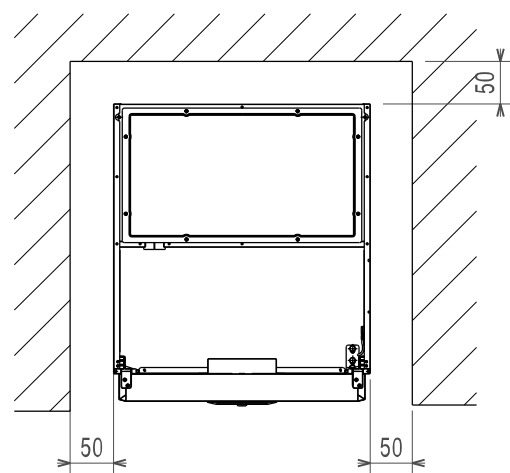
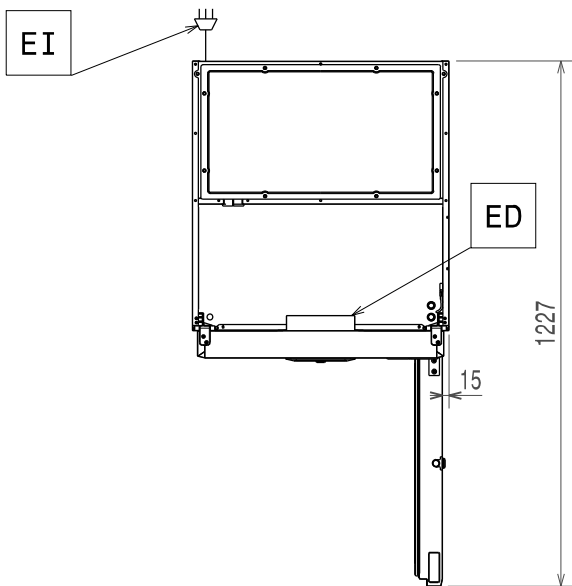
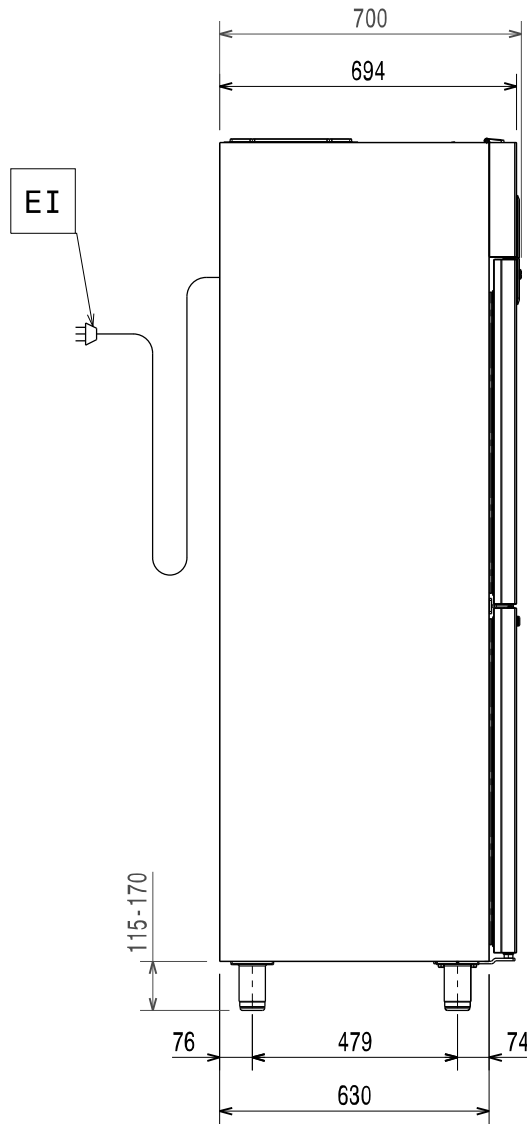
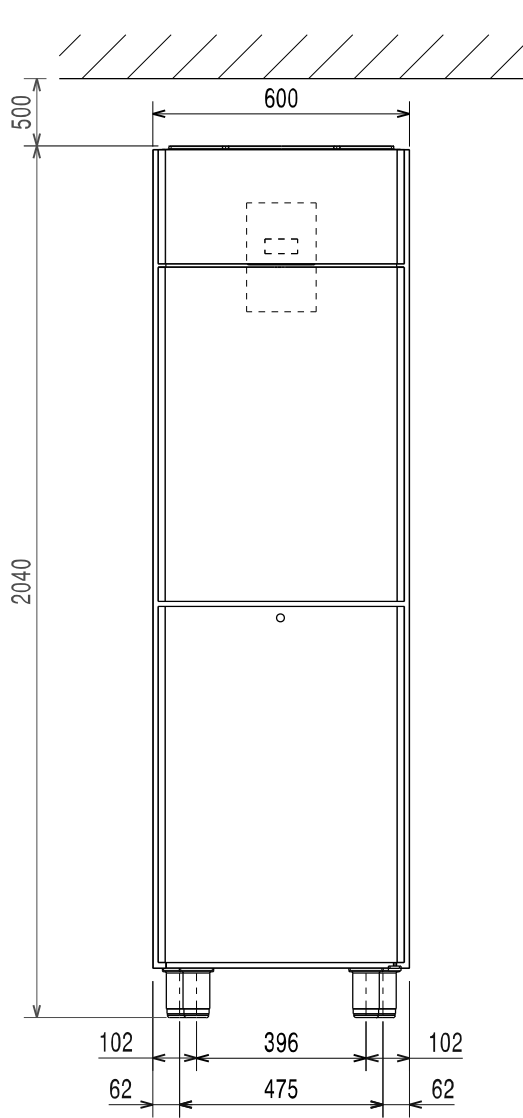
*Original instructions



595R57600- 2022.05

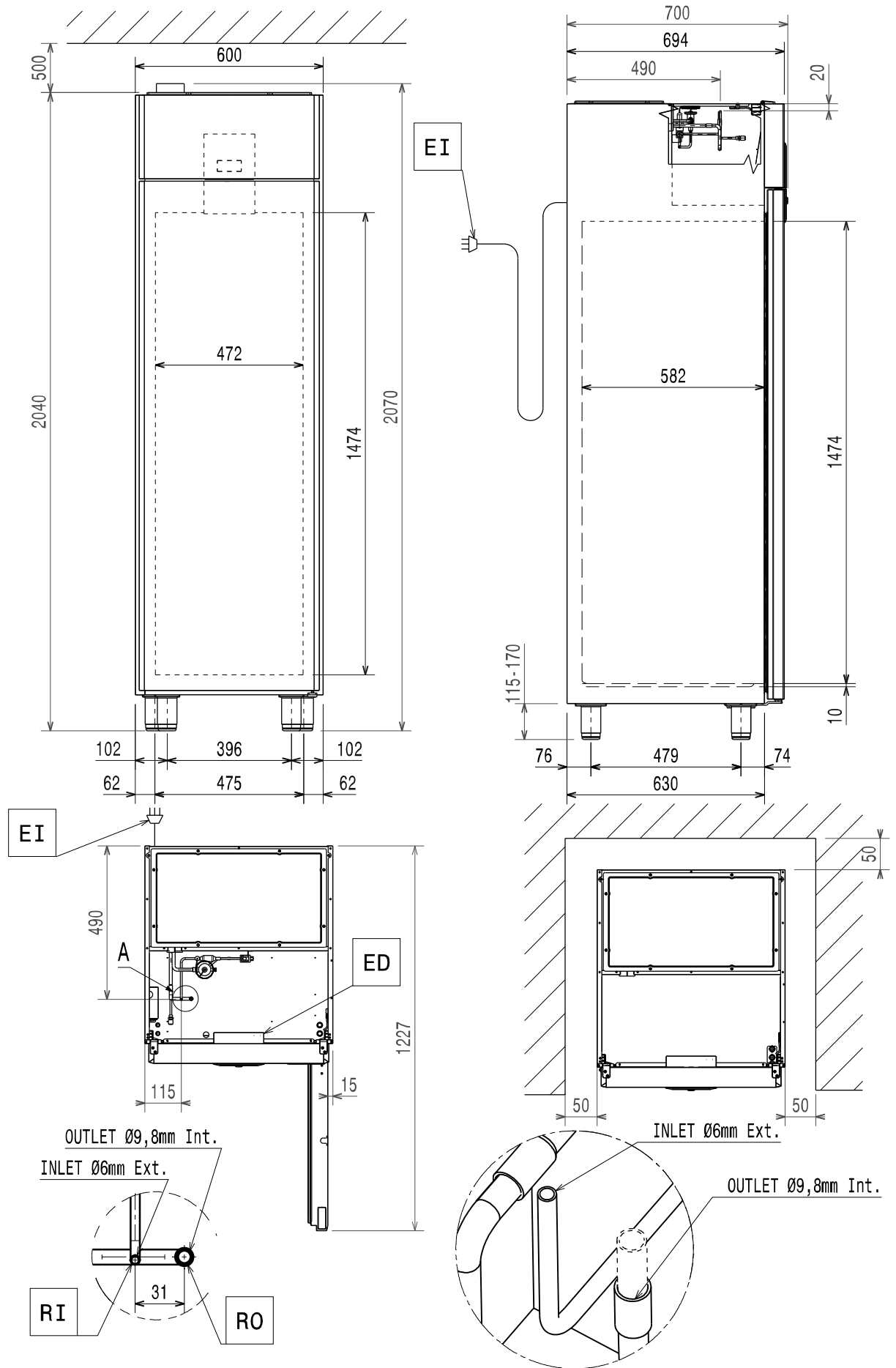
Installation diagram

Refrigerated and freezer model 600 mm



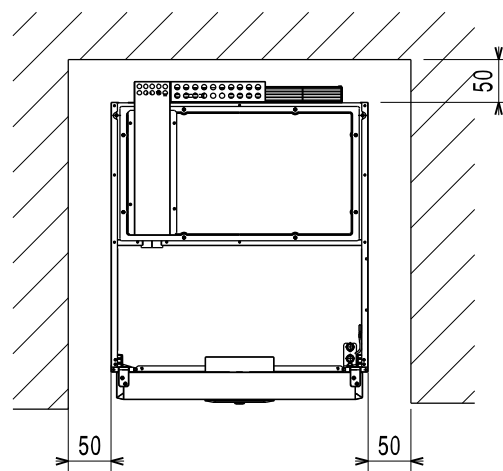
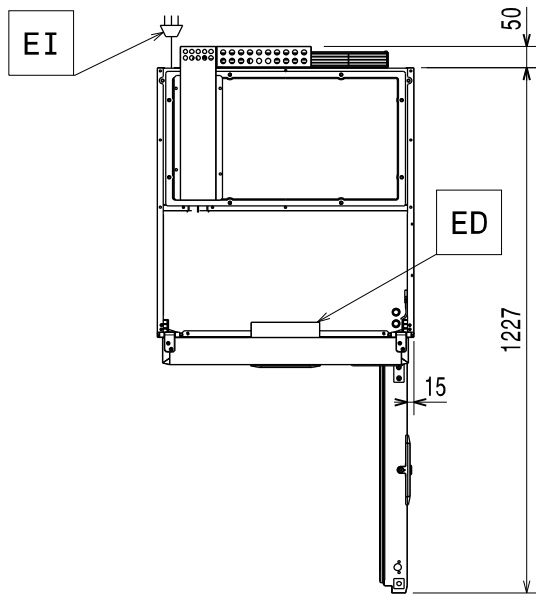
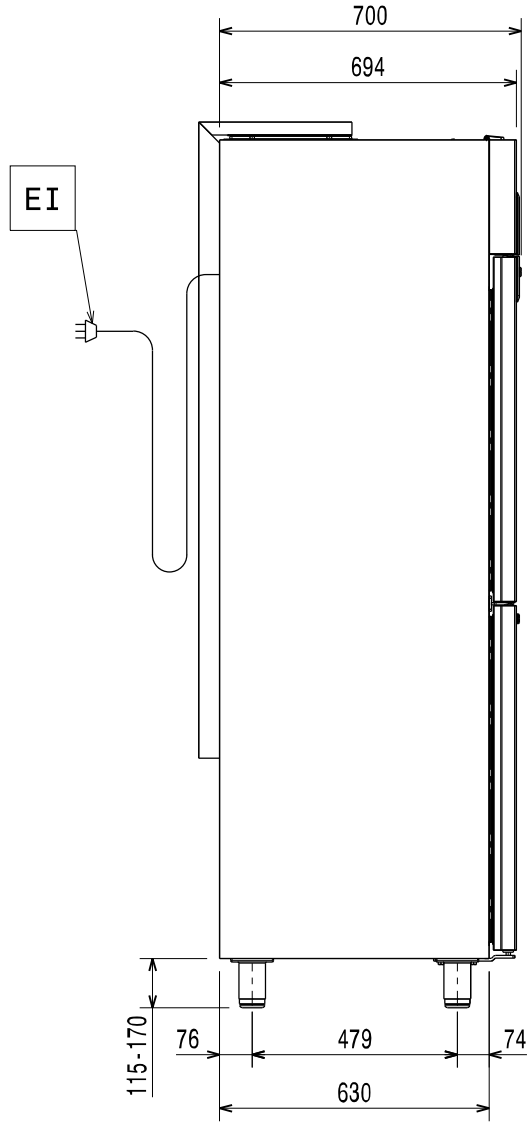
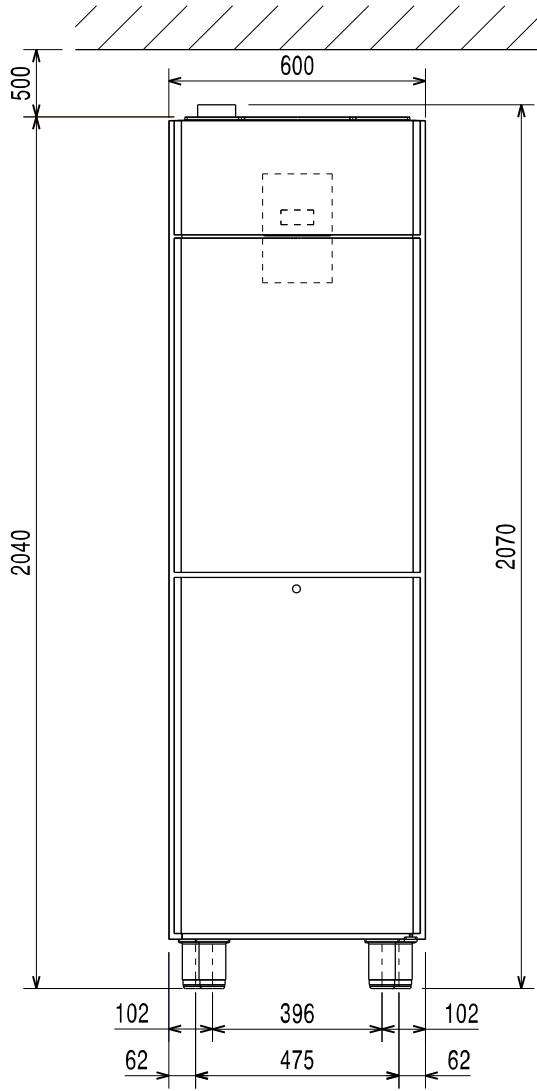
Installation diagram

Refrigerated and freezer model 600 mm remote



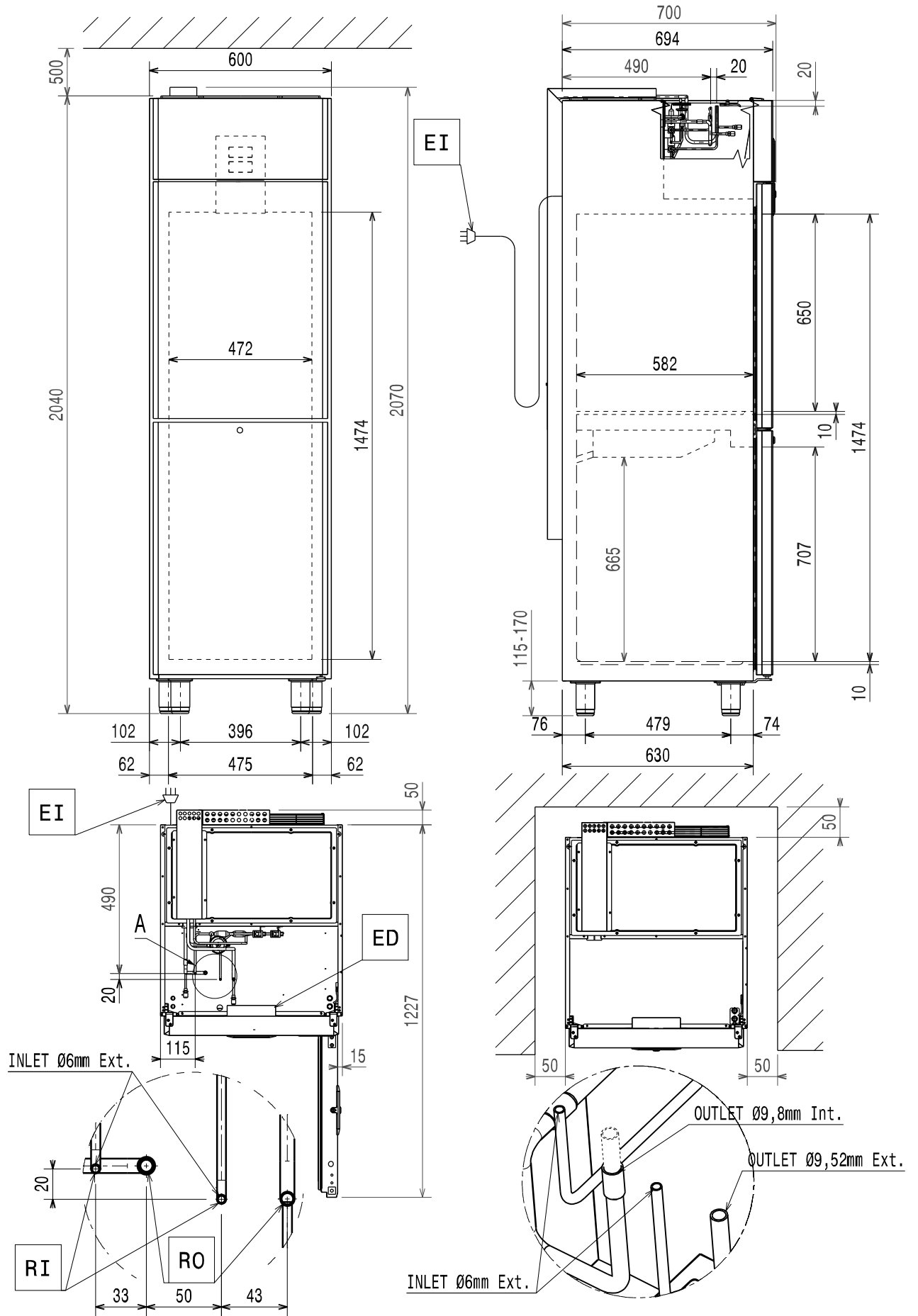
Installation diagram

Dual temperature model 600 mm



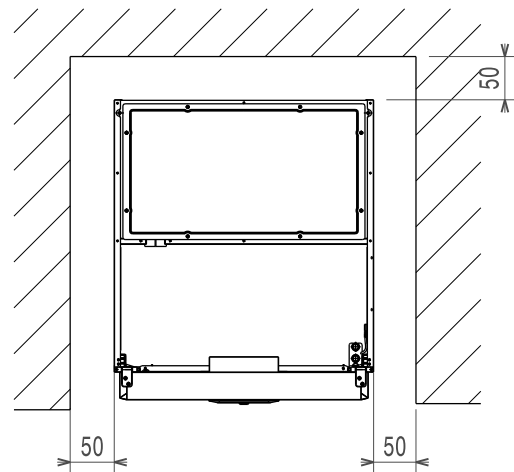
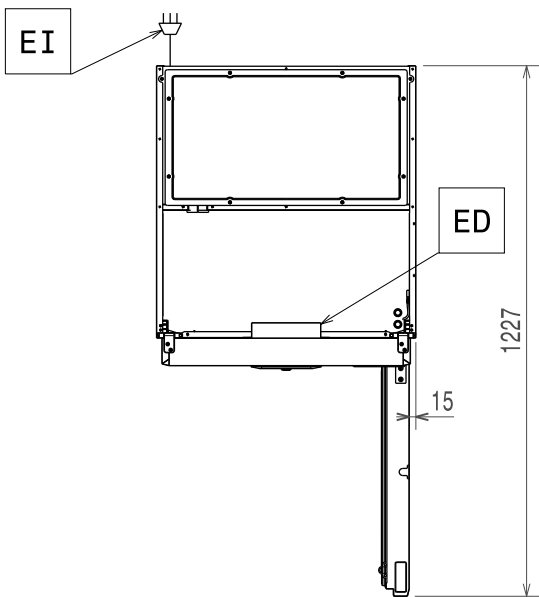
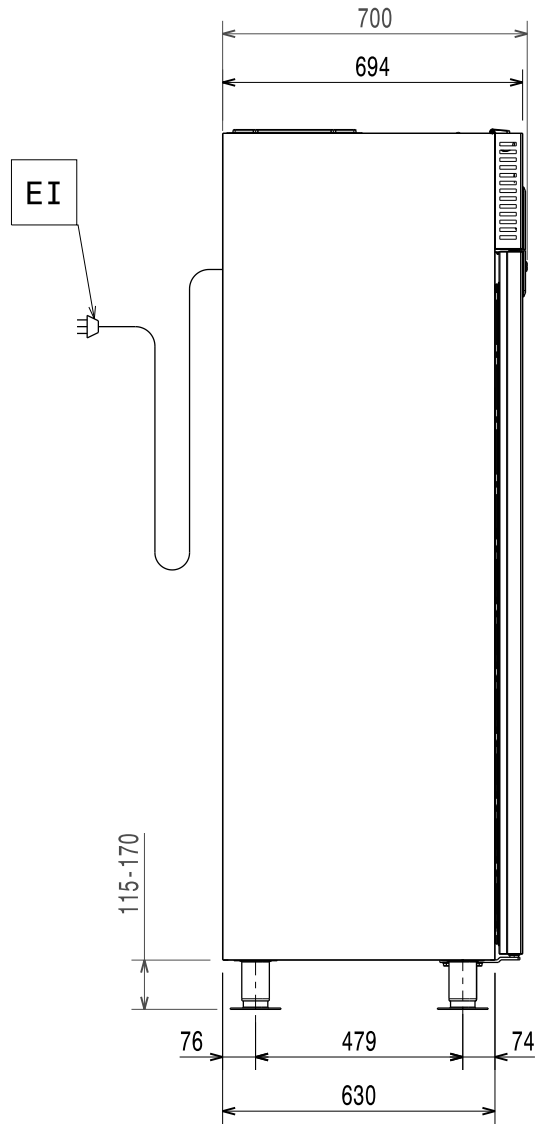
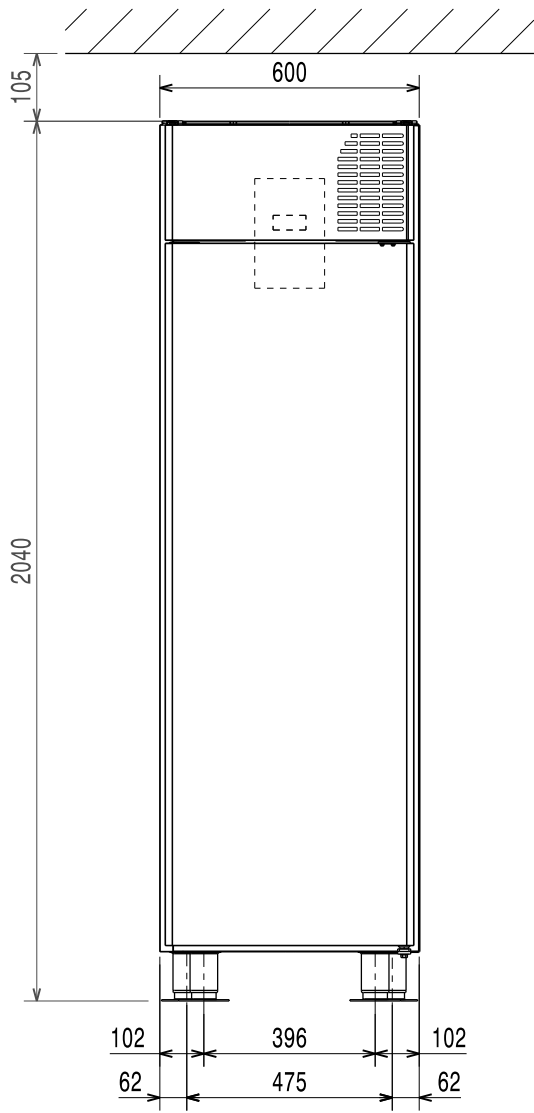
Installation diagram

Dual temperature model 600 mm remote



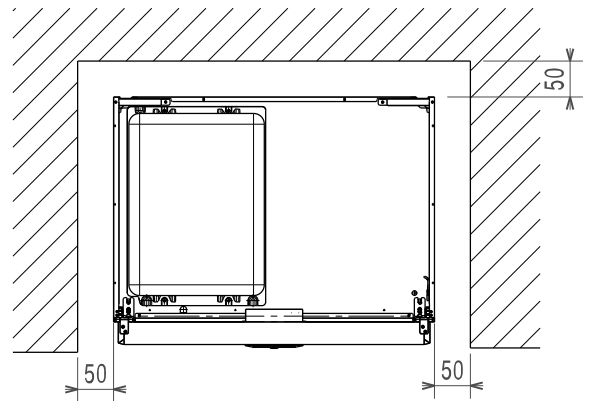
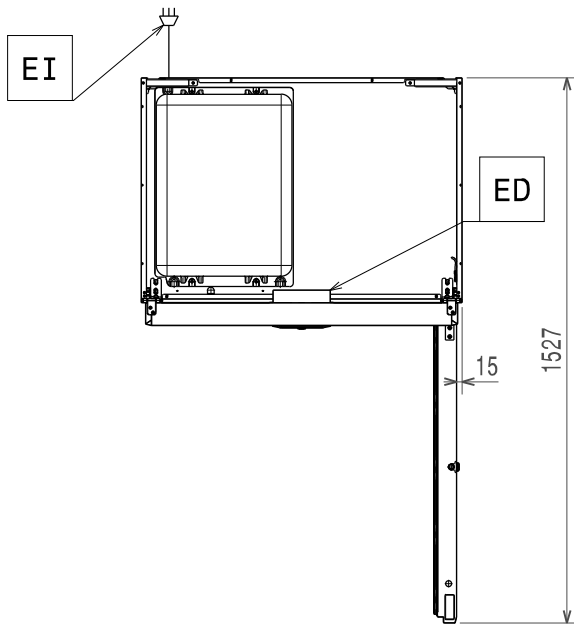
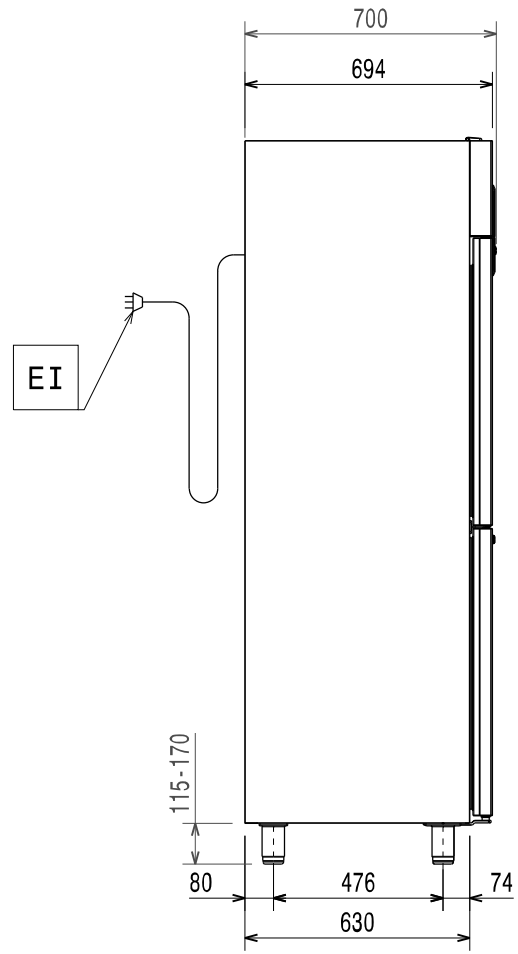
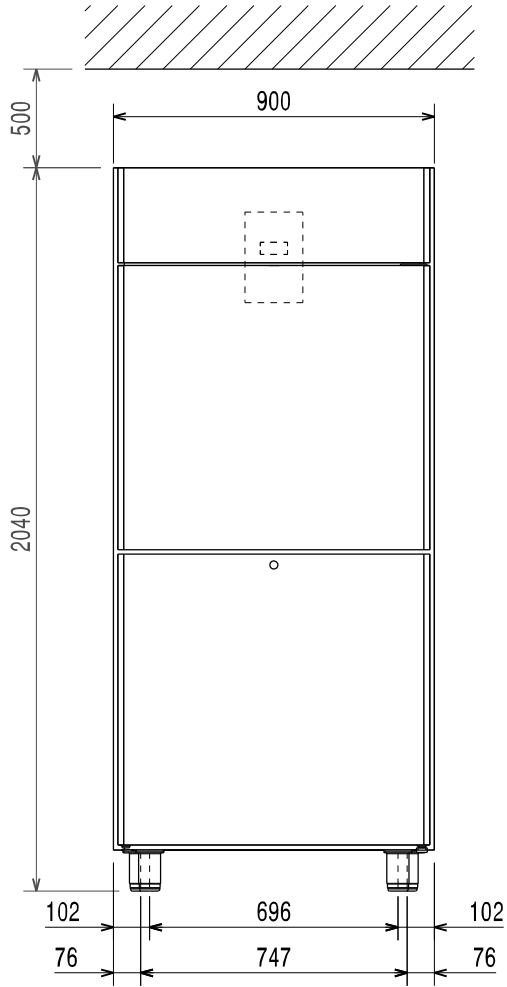
Installation diagram

Marine model 600 mm



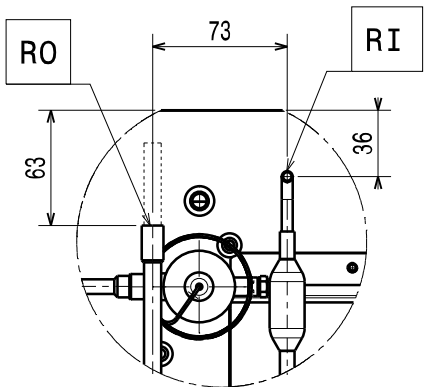
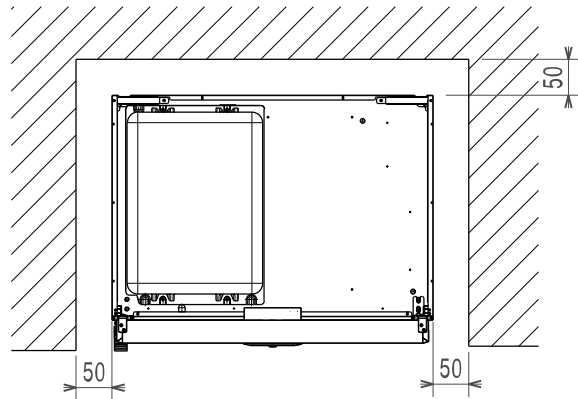
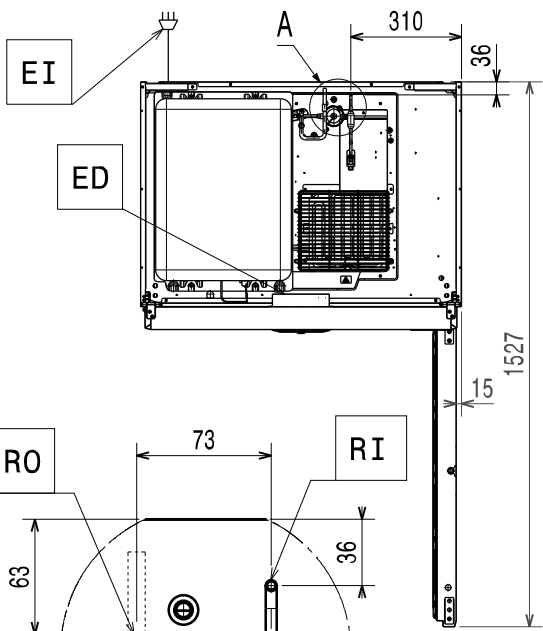
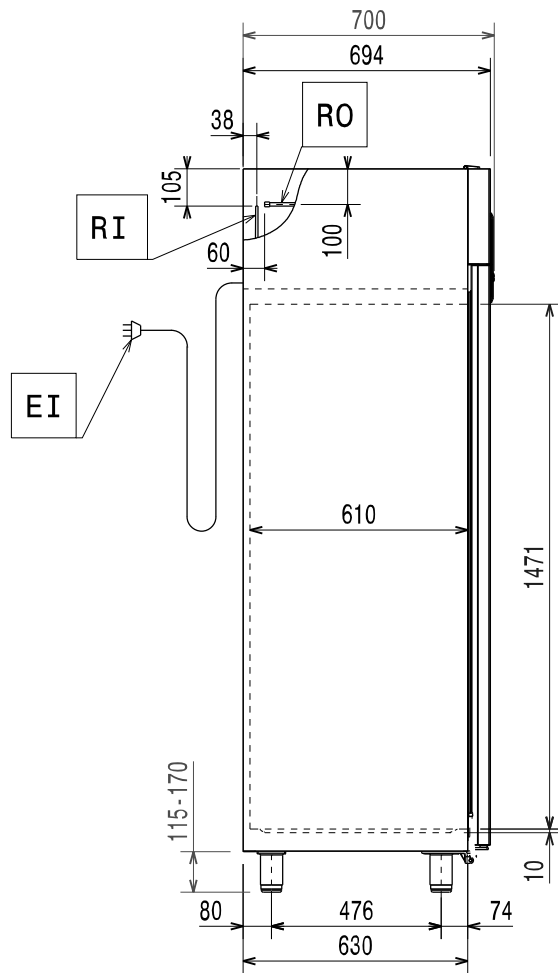
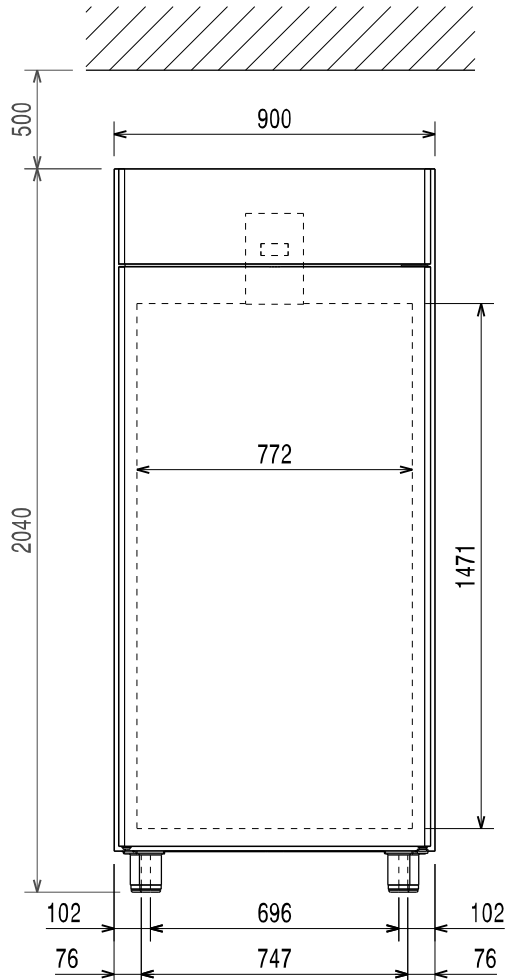
Installation diagram

Refrigerated and freezer model 900 mm

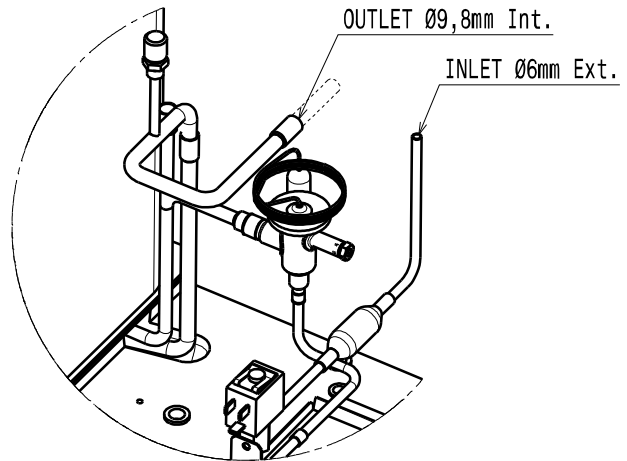


Installation diagram

Refrigerated and freezer model 900 mm remote

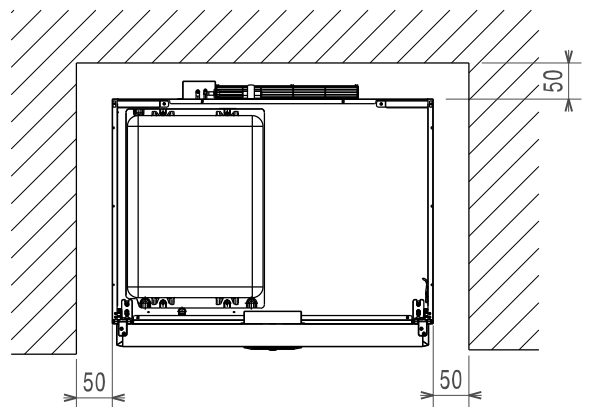
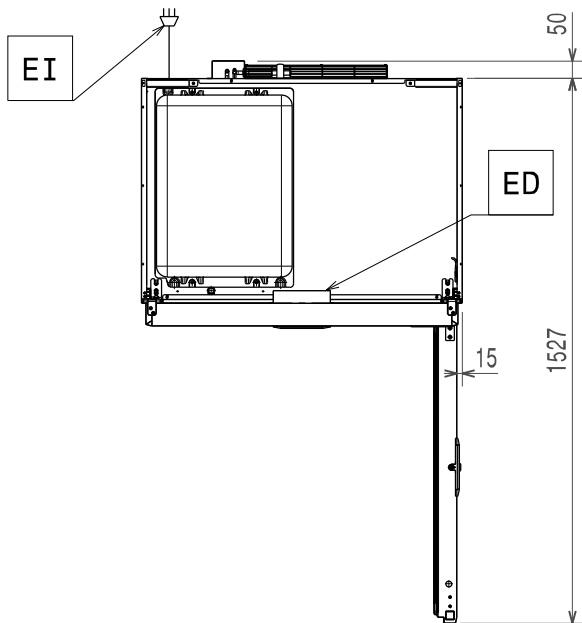
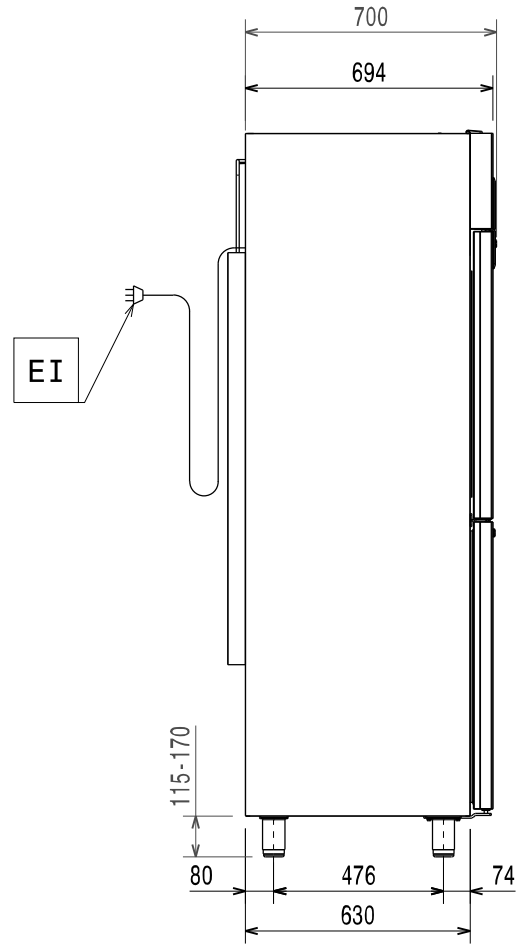
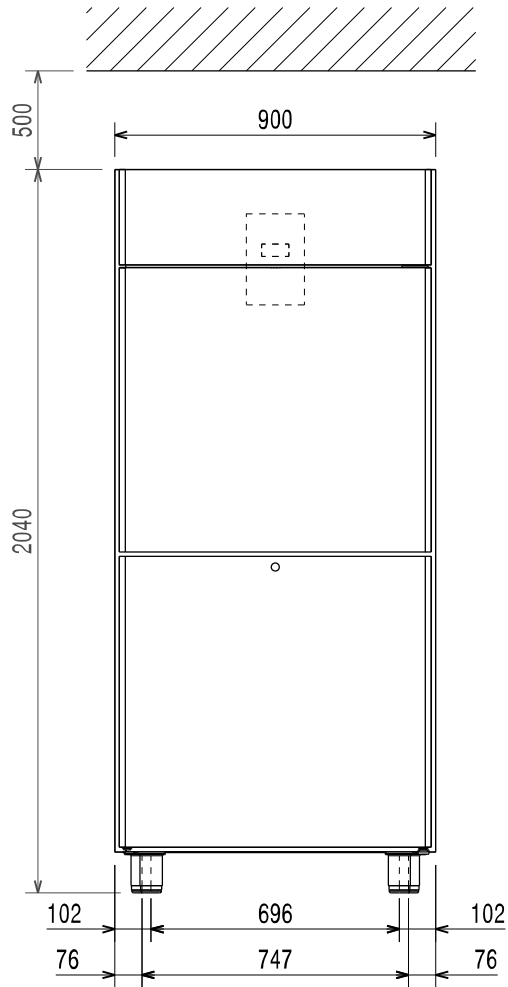


Detail A
Scala: 2:7



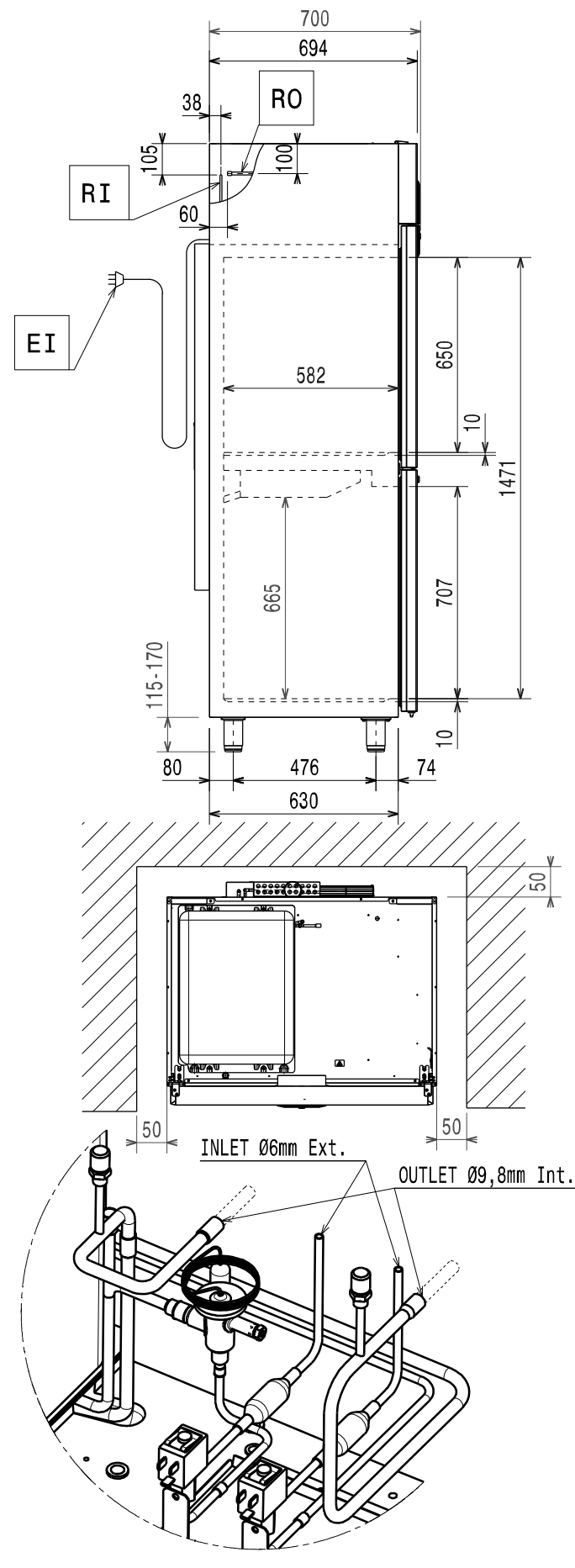
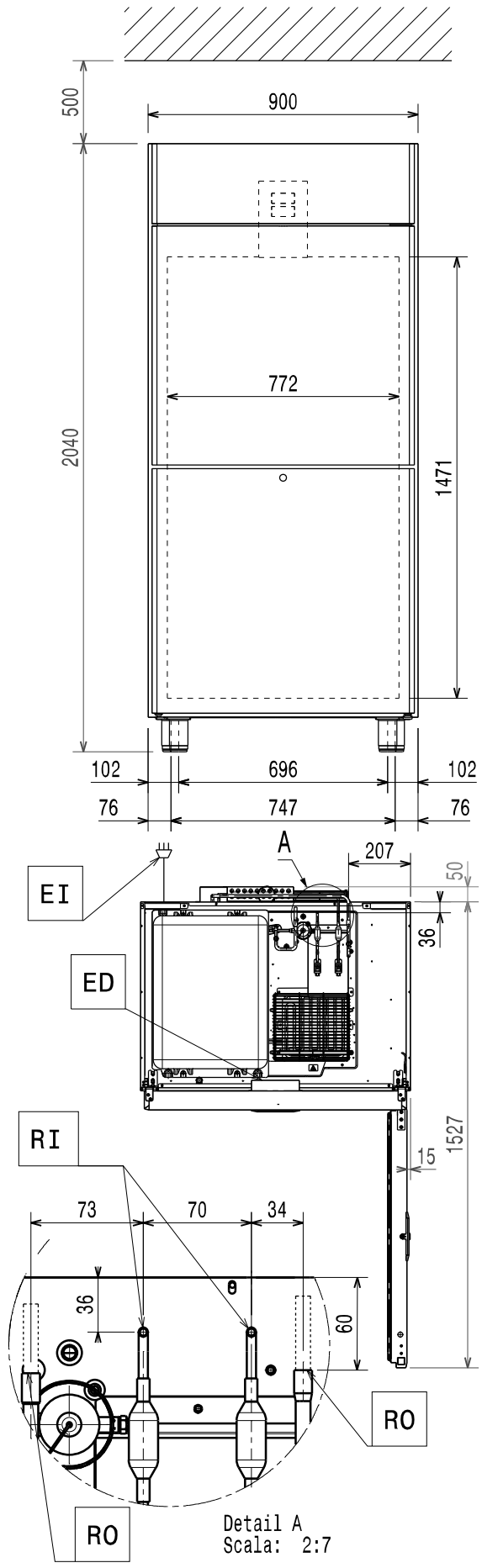
Installation diagram

Dual temperature model 900 mm



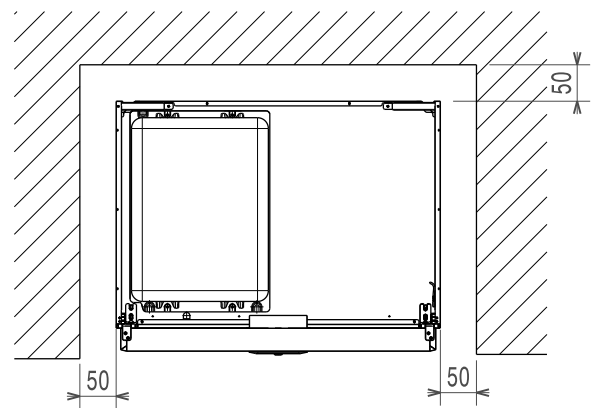
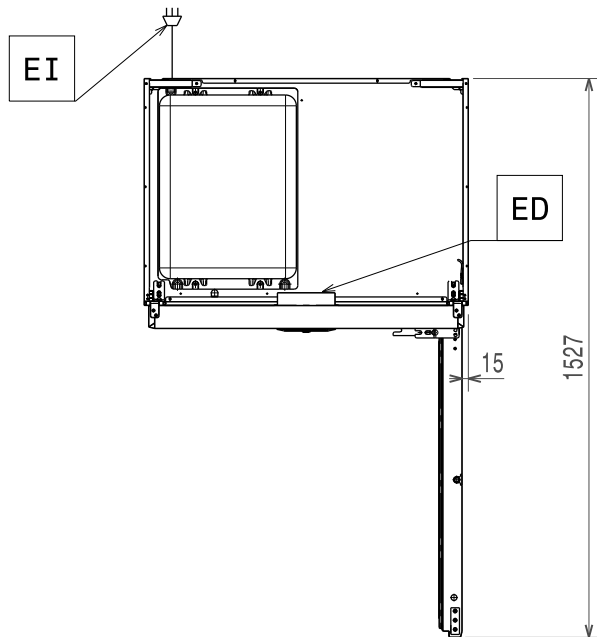
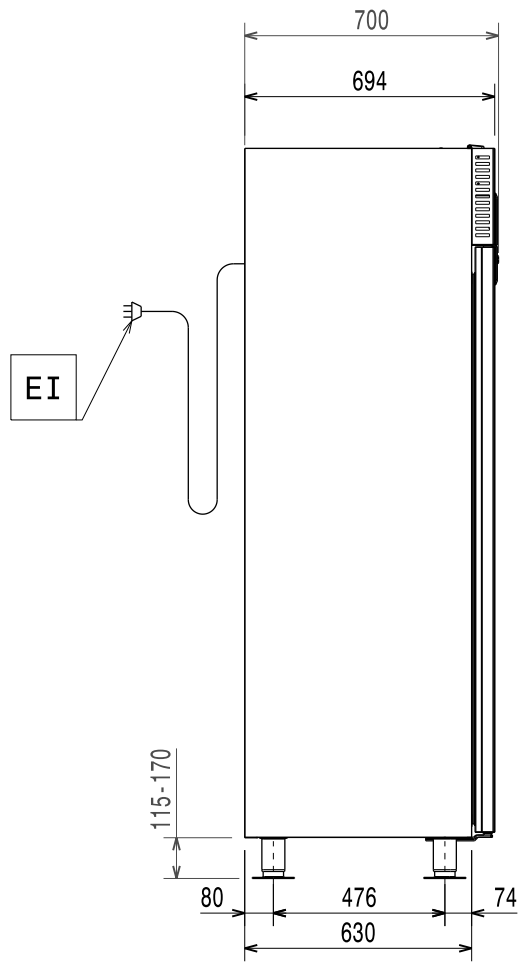
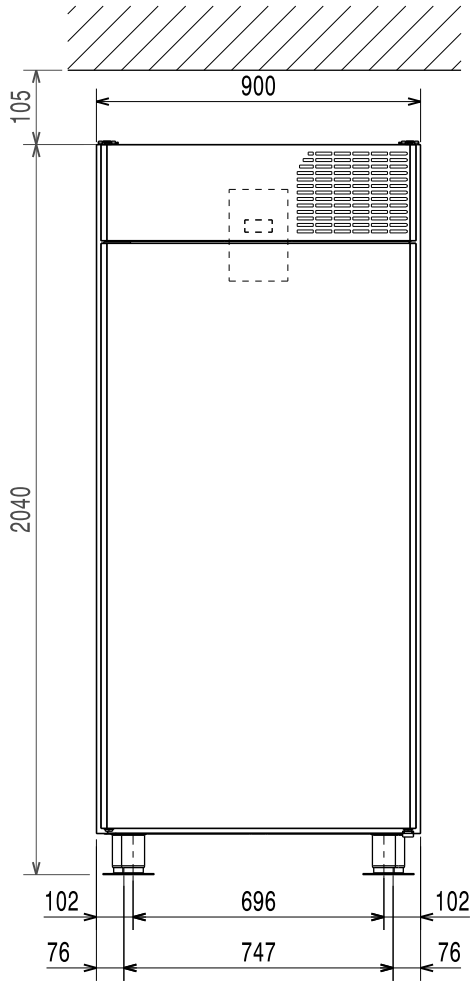
Installation diagram

Dual temperature model 900 mm remote



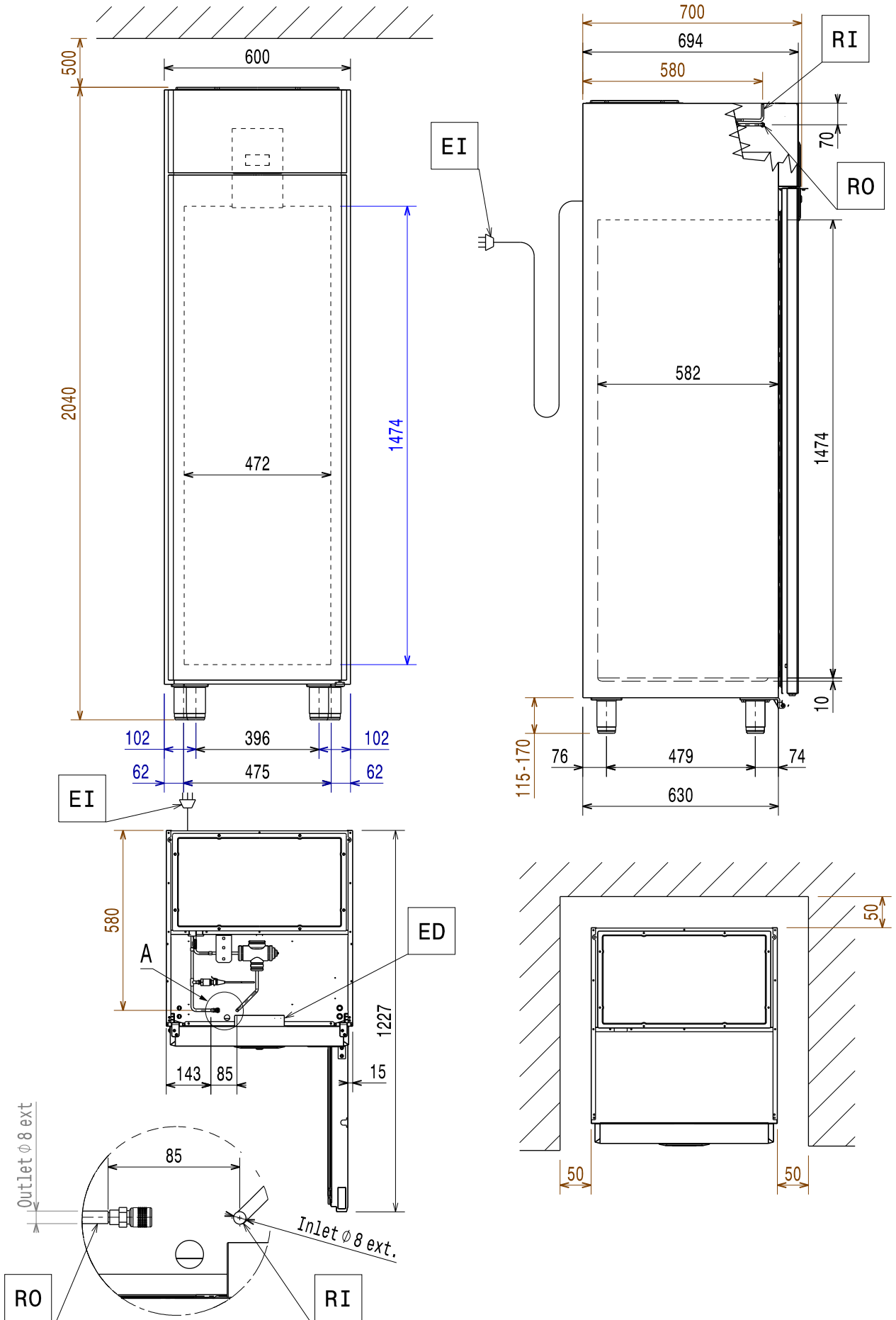
Installation diagram

Marine model 900 mm



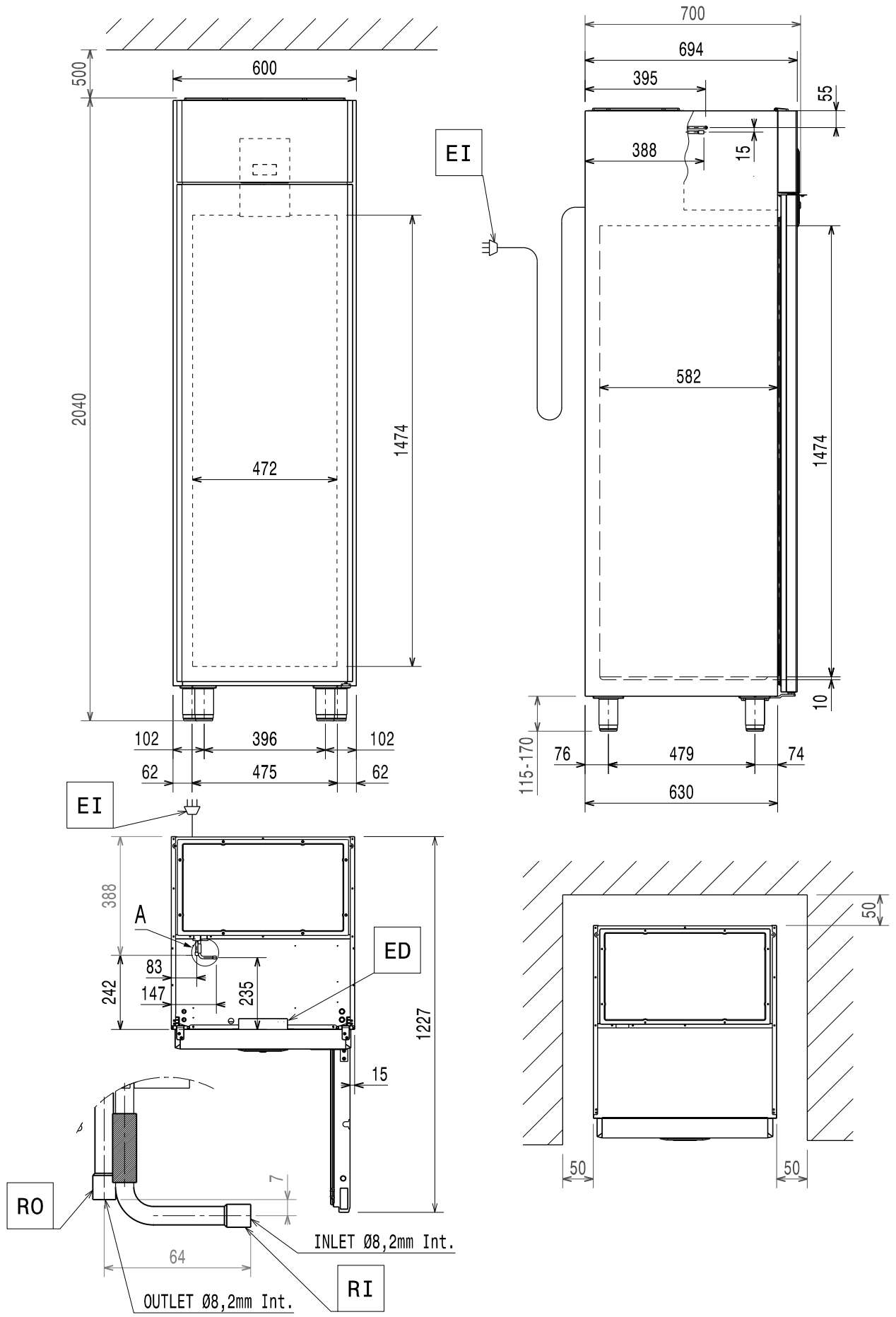
Installation diagram

Refrigerated and freezer model 600 mm remote CO2 with valve



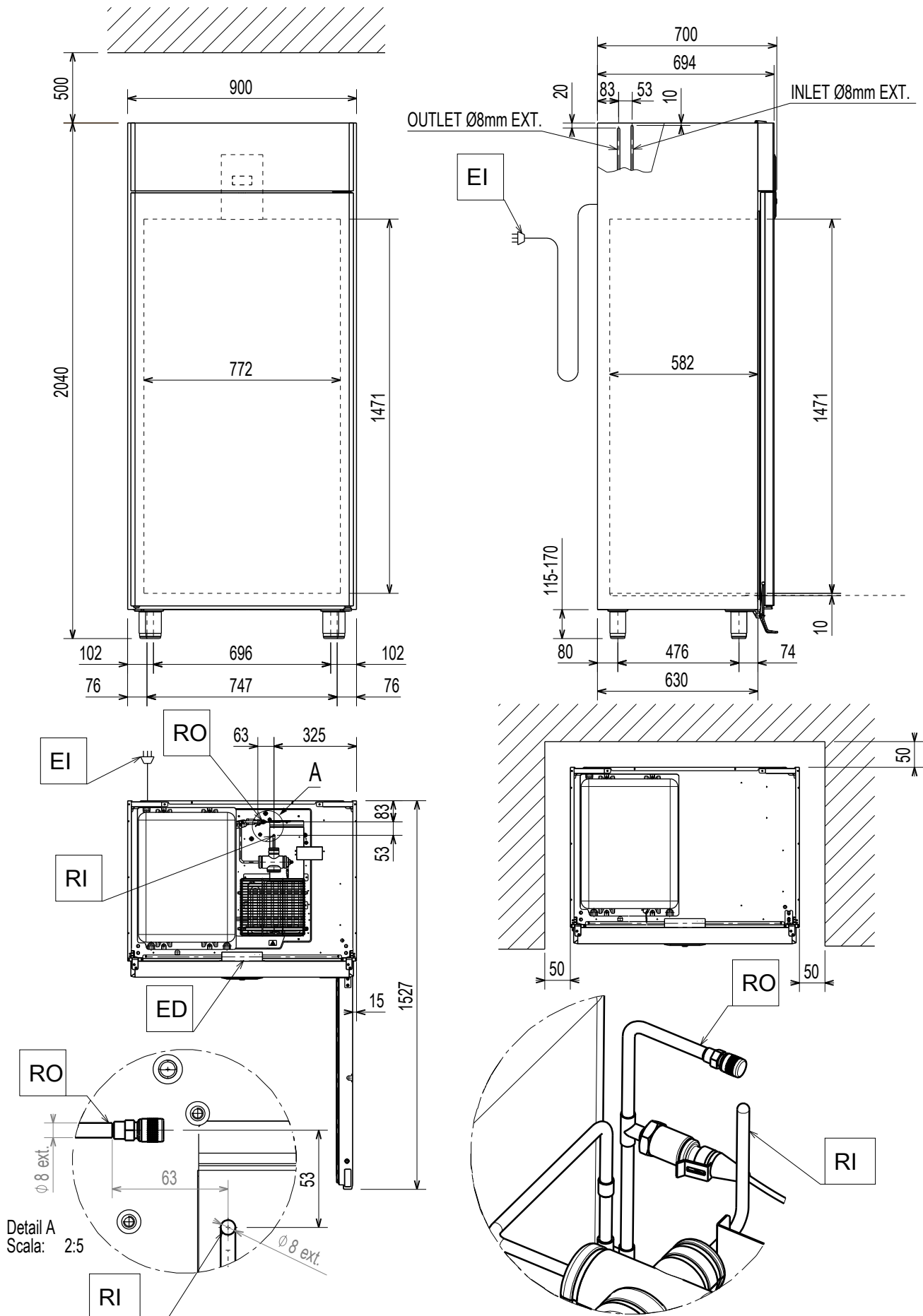
Installation diagram

Refrigerated and freezer model 600 mm remote CO2 without valve



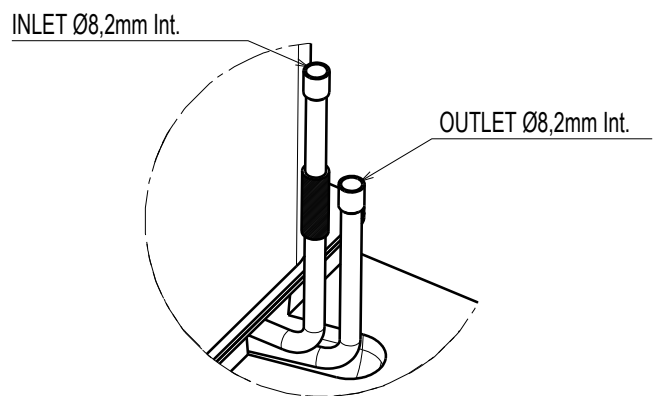
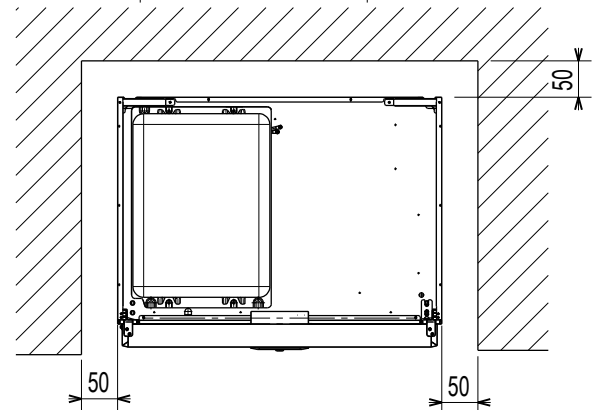
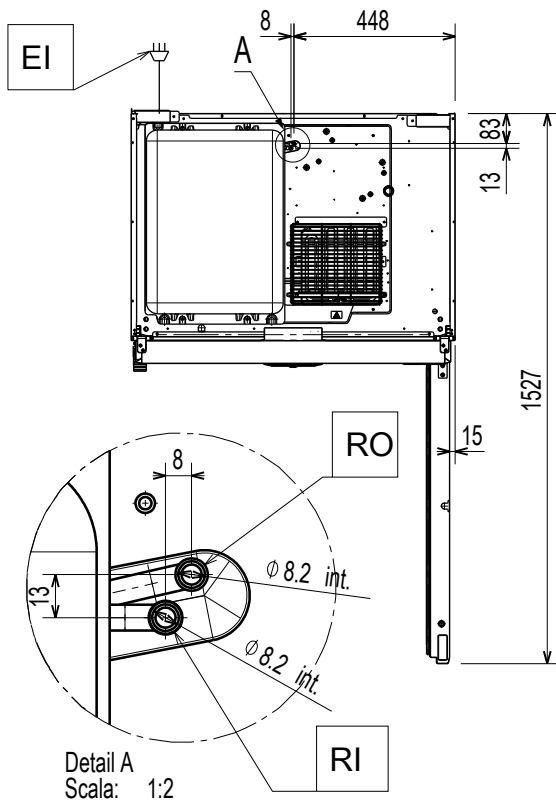
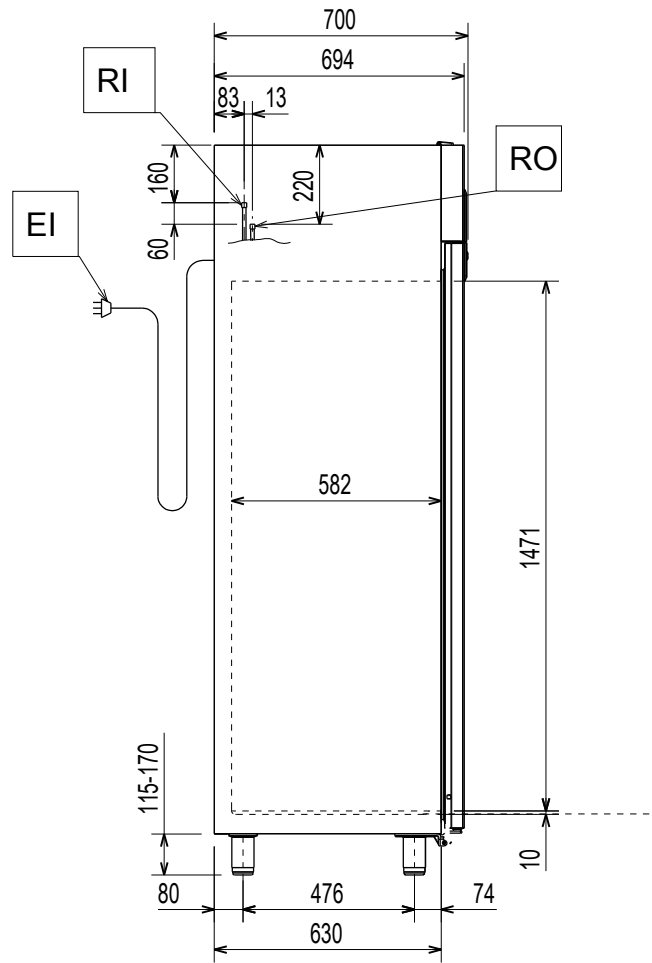
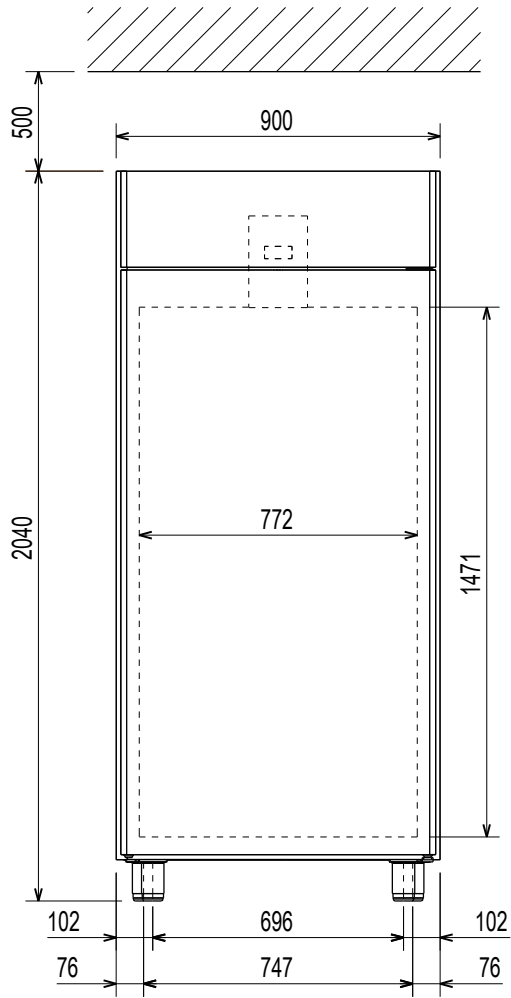
Installation diagram

Refrigerated and freezer model 900 mm remote CO2 with valve



Installation diagram

Refrigerated and freezer model 900 mm remote CO2 without valve



ED = Electrical connections
EI = Power cable length 3500 mm, schuko socket.

RI = Refrigerant Inlet (liquid)
RO = Refrigerant Outlet (gas)

Foreword



The installation, use and maintenance manual (hereinafter Manual) provides the user with information necessary for correct and safe use of the machine (or “appliance”).

The following must not be considered a long and exacting list of warnings, but rather a set of instructions suitable for improving machine performance in every respect and, above all, preventing injury to persons and animals and damage to property due to improper operating procedures.

All persons involved in machine transport, installation, commissioning, use and maintenance, repair and disassembly must consult and carefully read this manual before carrying out the various operations, in order to avoid wrong and improper actions that could compromise the machine's integrity or endanger people. Make sure to periodically inform the user regarding the safety regulations. It is also important to instruct and update personnel authorised to operate on the machine, regarding its use and maintenance.

The manual must be available to operators and carefully kept in the place where the machine is used, so that it is always at hand for consultation in case of doubts or whenever required.

If, after reading this manual, there are still doubts regarding machine use, do not hesitate to contact the Manufacturer or the authorised Service Centre to receive prompt and precise assistance for better operation and maximum efficiency of the machine. During all stages of machine use, always respect the current regulations on safety, work hygiene and environmental protection. It is the user's responsibility to make sure the machine is started and operated only in optimum conditions of safety for people, animals and property.



IMPORTANT

- The manufacturer declines any liability for operations carried out on the appliance without respecting the instructions given in this manual.
- The manufacturer reserves the right to modify the appliances presented in this publication without notice.
- No part of this manual may be reproduced.
- This manual is available in digital format by:
 - contacting the dealer or reference customer care;
 - downloading the latest and up to date manual on the web site;
- The manual must always be kept in an easily accessed place near the machine. Machine operators and maintenance personnel must be able to easily find and consult it at any time.

Contents

| | | |
|-------|--|----|
| A | WARNING AND SAFETY INFORMATION | 19 |
| A.1 | General information | 19 |
| A.2 | Personal protection equipment | 20 |
| A.3 | General safety | 21 |
| A.4 | Technical data | 21 |
| A.5 | Transport, handling and storage | 21 |
| A.6 | Installation and assembly | 22 |
| A.7 | Machine disposal | 24 |
| B | MACHINE AND MANUFACTURER'S IDENTIFICATION DATA | 24 |
| C | GENERAL INFORMATION | 25 |
| C.1 | Introduction | 25 |
| C.2 | Additional indications | 25 |
| C.3 | New appliance concept | 25 |
| C.4 | Easy cleaning | 25 |
| C.5 | Recyclability and environmental impact | 25 |
| C.6 | Intended use and restrictions | 25 |
| C.7 | Testing and inspection | 25 |
| C.8 | Copyright | 25 |
| C.9 | Keeping the manual | 25 |
| C.10 | Recipients of the manual | 25 |
| C.11 | Definitions | 25 |
| C.12 | Responsibility | 26 |
| D | TRANSPORT, HANDLING AND STORAGE | 26 |
| D.1 | Handling | 26 |
| D.1.1 | Procedures for handling operations | 26 |
| D.1.2 | Placing the load | 26 |
| D.2 | Unpacking | 26 |
| D.2.1 | Disposal of packing | 26 |
| D.3 | Storage | 27 |
| E | TECHNICAL DATA | 27 |
| E.1 | Materials and fluids used | 27 |
| E.2 | Main technical characteristics | 27 |
| F | INSTALLATION AND ASSEMBLY | 27 |
| F.1 | Introduction | 27 |
| F.2 | Customer's responsibilities | 27 |
| F.3 | Positioning | 28 |
| F.4 | Fitting anti-tipping cables on the appliance | 28 |
| F.5 | Reversing opening of fully insulated doors | 29 |
| F.6 | Reversing opening of half doors | 30 |
| G | MACHINE DISPOSAL | 32 |
| G.1 | Waste storage | 32 |
| G.2 | Procedure regarding appliance dismantling macro operations | 32 |

A WARNING AND SAFETY INFORMATION

A.1 General information

To ensure safe use of the machine and a proper understanding of the manual it is necessary to be familiar with the terms and typographical conventions used in the documentation. The following symbols are used in the manual to indicate and identify the various types of hazards:



WARNING

Danger for the health and safety of operators.



WARNING

Danger of electrocution - dangerous voltage.



CAUTION

Risk of damage to the machine or the product.



WARNING

Risk of fire / Flammable materials



Pressure



IMPORTANT

Important instructions or information on the product



Read the instructions before using the appliance








Clarifications and explanations

| Type Ref.: P.M... | |
|-------------------|--|
| P = | Prostore range |
| 90 - 60 = | Model (900 mm - 600 mm) |
| M = | Module |
| TN - BT = | Temperature range TN = Refrigerated BT = Freezer TN-TN = refrigerated 2 temperatures TN-BT = refrigerated-freezer 2 temperatures |
| HC | Refrigerant fluid R290 |
| — — — (none) | Refrigerant fluid R134a – R404a Remote version |
| M = | “Marine“ version |

- Only specialised personnel are authorised to operate on the machine.
- This appliance is not intended for use by persons (including children) with reduced physical, sensor or mental capabilities, or lack of experience and knowledge, unless they have been given supervision or instruction concerning use of appliance by a person responsible for their safety.
 - Do not let children play with the appliance.
 - Keep all packaging and detergents away from children.
 - Cleaning and user maintenance shall not be made by children without supervision.
- Do not store explosive substances, such as pressurized containers with flammable propellant, in this appliance
- Do not remove, tamper with or make the machine marking illegible.
- When scrapping the machine, the marking must be destroyed.
- Save these instructions carefully for further consultation by the various operators.

A.2 Personal protection equipment

Summary table of the Personal Protection Equipment (PPE) to be used during the various stages of the machine's service life.

| Stage | Protective garments  | Safety footwear  | Gloves  | Glasses  | Safety helmet  |
|------------------------|---|---|--|---|---|
| Transport | — | ● | ○ | — | ○ |
| Handling | — | ● | ○ | — | — |
| Unpacking | — | ● | ○ | — | — |
| Installation | — | ● | ● ¹ | — | — |
| Normal use | ● | ● | ● ² | — | — |
| Adjustments | ○ | ● | — | — | — |
| Routine cleaning | ○ | ● | ● ¹⁻³ | ○ | — |
| Extraordinary cleaning | ○ | ● | ● ¹⁻³ | ○ | — |
| Maintenance | ○ | ● | ○ | — | — |
| Dismantling | ○ | ● | ○ | ○ | — |
| Scrapping | ○ | ● | ○ | ○ | — |
| Key: | | | | | |
| ● | PPE REQUIRED | | | | |
| ○ | PPE AVAILABLE OR TO BE USED IF NECESSARY | | | | |
| — | PPE NOT REQUIRED | | | | |

1. During these operations, gloves must be cut-resistant. Failure to use the personal protection equipment by operators, specialized personnel or users can involve exposure to damage to health (depending on the model).
2. During these operations, gloves must protect hands from the cold tray when being removed from the appliance. Failure to use the personal protection equipment by operators, specialised personnel or users can involve exposure to chemical risk and cause possible damage to health (depending on the model).
3. During these operations, gloves must be suitable for contact with chemical substances used (refer to the safety data sheet of the substances used for information regarding the required PPE). Failure to use the

personal protection equipment by operators, specialized personnel or users can involve exposure to chemical risk and cause possible damage to health (depending on the model).

A.3 General safety

- The machines are provided with electric and/or mechanical safety devices for protecting workers and the machine itself.
- Never operate the machine, removing, modifying or tampering with the guards, protection or safety devices.
- Do not make any modifications to the parts supplied with the appliance.
- Several illustrations in the manual show the machine, or parts of it, without guards or with guards removed. This is purely for explanatory purposes. Do not use the machine without the guards or with the protection devices deactivated.
- Do not remove, tamper with or make illegible the safety, danger and instruction signs and labels on the machine.

A.4 Technical data

Materials and fluids used

- R290 gas is potentially flammable and explosive! Take every possible precaution to prevent any risk linked to the nature of this gas during any routine and/or extraordinary operation carried out on the appliance.
- In appliances using R744 as refrigerant, the design pressure is 14 MPa (140 bar).
- In appliances employing R744, the refrigeration system is under pressure. Do not tamper with it.

Performance

| | |
|---|-----|
| Equivalent sound pressure level Leq dB(A) | <70 |
|---|-----|

1. The noise emission values have been obtained according to EN ISO 11204. The value could increase depending on the workplace where measured.

Climatic Class

The climatic class given on the data plate refers to the following values:

- **Fully insulated door models, “ice-cream preservers“ and “Marine“ models**
Climatic Class 5
 - 43°C (IEC/EN 60335-2-89)
 - 40°C room with 40% relative humidity (EN 16825/EN ISO 22041).
- **Glass door models**
Climatic Class 5
 - 43°C (IEC/EN 60335-2-89)
 - 30°C room with 55% relative humidity (EN 16825/EN ISO 22041).

A.5 Transport, handling and storage

- Transport (i. e. transfer of the machine from one place to another) and handling (i. e. transfer inside workplaces) must occur with the use of special and adequate means.
- Due to their size, the machines cannot be stacked on top of each other during transport, handling and storage; this eliminates any risks of loads tipping over due to stacking.
- Do not stand under suspended loads during loading or unloading operations. Unauthorized personnel must not enter the work area.
- The weight of the appliance alone is not sufficient to keep it steady.

- For machine lifting and anchoring, do not use movable or weak parts such as: casings, electrical raceways, pneumatic parts, etc.
- Do not push or pull the machine to move it, as it may tip over. Use proper tool to lift the machine.
- Arrange a suitable area with flat floor for machine unloading and storage operations.
- Machine transport, handling and storage personnel must be adequately instructed and trained regarding the safely use of lifting systems and personal protection equipment suitable for the type of operation carried out.

A.6 Installation and assembly

Introduction

- The installer must evaluate the minimum volume of the installation's environment necessary to reduce the risks related to danger caused by the flammability and toxicity of the foreseeable refrigerant present in the machine.
- Machine installation and assembly operations must only be carried out by specialised Technicians provided with all the appropriate personal protection equipment (safety shoes, gloves, glasses, overalls, etc.), tools, utensils and ancillary means, with adequate enclosure of the assembly area to keep out unauthorised persons.
- The operations described must be carried out in compliance with the current safety regulations, regarding the equipment used and the operating procedures.
- Disconnect the appliance from the power supply before carrying out any installation procedure.

Electrical connection

- Work on the electrical systems must only be carried out by a specialised personnel.
- Connection to the power supply must be carried out in compliance with the regulations and provisions in force in the country of use.
- The information regarding the appliance power supply voltage is given on the dataplate.
- The system power supply is arranged and able to take the actual current absorption and that it is correctly executed according to the regulations in force in the country of use;
- a differential thermal-magnetic switch suitable for the absorption specified on the data plate, with contact gap enabling complete disconnection in category III overvoltage conditions and complying with the regulations in force, is installed between the power cable and the electric line. For the correct sizing of the switch or plug, refer to the absorbed current specified on the appliance data plate.
- After making the connection, with the appliance running check that the power supply does not fluctuate by $\pm 10\%$ the rated voltage.
- If the power cable is damaged, it must be replaced by the After-Sales Service or in any case by specialised personnel, in order prevent any risk.
- The manufacturer declines any liability for damage or injury resulting from breach of the above rules or non-compliance with the electrical safety regulations in force in the country where the machine is used.

Electrical connection for appliances with plug

- To connect to the power supply, insert the power cable plug in the corresponding mains socket, first making sure:
- the socket has an efficient earth contact and the mains voltage and frequency match that given on the dataplate. In case of any doubts regarding the efficiency of the earth connection have the system checked by specialised personnel;
- the system power supply is arranged and able to take the actual current absorption and that it is correctly executed according to the regulations in force in the country of use;

- The plug must be accessible after positioning the appliance in the place of installation;
- The plug must be in a position always visible to the operator performing the intervention during maintenance operations;

Electrical connection for appliances with cable without plug

- The connection point has an efficient earth contact and the mains voltage and frequency match that given on the data plate. In case of doubts regarding the efficiency of the earth wire, have the system checked by specialised personnel;
- the appliance must be permanently connected to the power supply, respecting the polarities:
 - brown: phase
 - yellow/green: earth
 - blue: neutral;
- An H05VV-F type power cable (code 60227 IEC 53) is used for the permanent connection to the mains; in case of replacement, use a type with at least these characteristics. When replacing the cable, the earth wire must be kept longer than the live and neutral wires.
- The differential thermal-magnetic switch must be lockable in the open position in case of maintenance.
- If using a plug, it must comply with the national installation rules. The plug must also be:
 - accessible after the appliance has been positioned
 - in the place of installation;
 - in a position always visible to the operator performing the intervention during maintenance operations;

Machine space limits

- Make sure to position the appliance at least 500 mm from the top, 50 mm from the back and from any other machines present in the room (in fact, close proximity can create problems of condensate forming on the walls of the appliance), also taking into consideration the space needed for door opening.

For “Marine“ models make sure to position the appliance at least 105 mm from the top.

Positioning

- Install the appliance, taking all the safety precautions required for this type of operation, also respecting the relevant fire-prevention measures.
- For the choice of remote condensing unit refer to the unit recommended by the Manufacturer, given on the equipment technical sheet.
- In case of extraordinary size of the remote condensing unit refer to the technical sheet for the refrigerating capacity data or consult the Manufacturer’s website or Local Service Center/ Agency authorized by the Manufacturer.
- Installation of the appliance and the refrigerant fluid condensing unit must only be carried out by the manufacturer’s service personnel or by specialised personnel.



WARNING

- Keep the ventilation openings in the appliance casing free of any obstructions.
- In appliance with R744 as refrigerant, a pressure relief device shall be installed in the high pressure side of the refrigeration system between the motor-compressor and the gas cooler. There shall be shut off devices or other components except piping between the motor-compressor and the pressure relief device that could introduce a pressure drop.

- The pressure relief device shall be mounted so that any refrigerant released from the system during its operation can not cause harm to the user of the appliance. The aperture shall be located so that it is unlikely to be obstructed in normal use.
- The installed pressure relief device shall have no provisions for setting by the end user.
- The pressure setting of the installed pressure relief device shall be no higher than the design pressure of the high-pressure side.

Fitting anti-tipping cables on the appliances

- When installing models:
 - 600 mm glass door with incorporated refrigerating system;
 - 600 mm glass door without incorporated refrigerating system;
 - 900 mm without incorporated refrigerating system;
 with high feet, make sure to fix the anti-tipping cables to it.
- To fit proceed as shown in the paragraph F.4 *Fitting anti-tipping cables on the appliance*

Reversing opening of fully insulated doors and half doors

- Disconnect the appliance from the power supply before carrying out the door reversing procedure.

A.7 Machine disposal

- Dismantling operations must be carried out by specialised personnel.
- Work on the electrical equipment must only be carried out by specialised personnel, with the power supply disconnected.
- Dismantling operations of appliances which use flammable insulation blowing gases must be carried out by specialised personnel.
- Dismantling operations of appliances which use R744 (with a refrigeration system under high pressure) must be carried out by specialised personnel.
- Make the appliance unusable by removing the power cable and any compartment closing devices, to prevent the possibility of someone becoming trapped inside.

B MACHINE AND MANUFACTURER'S IDENTIFICATION DATA

A reproduction of the marking or data plate on the machine is given below:

| | | | |
|---|------------------|----------------------------|-----------------------|
| F.Mod. xxxxxxx | Comm.Mod.PS06R1F | Type Ref. P90TN | 2017 |
| PNC 9VTX xxxxxx xx | Ser. No. xxxxxxx | Cyclopentane | |
| W Tot. xxxx kW | Volt xxxV xxHz | Total current x A | |
| Potenza Sbrinatorio / Defrost Power | x kW | Classe / Classx | GWP xxxx CO2-eq xxx t |
| Resistenza Evaporazione / Evaporation Heater Elx | kW | Refrigerante / Refrigerant | xxxxx xxx Kg |
| Illuminazione / Lighting | xx W | Cap. xxx | |
| NF nominal Charge | | | |
| Rated Pressure | Mpa | | |
| IPX1 | | | |
| Electrolux Professional SpA - Viale Treviso, 15 - 33170 Pordenone (Italy) | | | |

The data plate gives the product identification and technical data.

The meaning of the various information given on it is listed below:

| | |
|------------|--------------------------------|
| F.Mod. | factory description of product |
| Comm.Model | commercial description |
| P90MTN(*) | certification group (Type) |
| PNC | production number code |
| Ser.No. | serial number |
| V | power supply voltage |

| | |
|--|----------------------------------|
| Hz | power supply frequency |
| kW | max. power input |
| Cyclopentane | expanding gas used in insulation |
| Total Current | current absorbed |
| current absorbed | defrost power |
| Evaporation Heater El. | heating element power |
| Lighting | internal light |
| Class | climatic |
| GWP | global warming potential |
| CO2 eq | quantity of greenhouse gases |
| Refrigerant | type of refrigerant gas |
| Cap. | nominal capacity |
| IPX1 | dust and water protection rating |
| CE | CE marking |
| Electrolux Professional SpA Viale Treviso 15 33170 Pordenone Italy | manufacturer |



NOTE!
Refer to the data given on the machine's data plate for relations with the Manufacturer (e.g. when ordering spare parts, etc.).

C GENERAL INFORMATION



WARNING

Refer to “*Warning and Safety Information*”.

C.1 Introduction

Given below is some information regarding the intended use of this appliance, its testing, and a description of the symbols used (that identifies the type of warning), the definitions of terms used in the manual and useful information for the appliance user.

C.2 Additional indications

The drawings and diagrams given in the manual are not in scale. They supplement the written information with an outline, but are not intended to be a detailed representation of the machine supplied.

The numerical values given on the appliance installation diagrams refer to measurements in millimeters and/or inches.

C.3 New appliance concept

The cupboard line has been created according to a new system that optimises performance and reduces energy consumption, also taking into account space requirements and environmental impact. Given below are the main features of this new system:

- the door frame allows the side walls to be completely filled with foam insulation, whereas the inside part has been created in such a way as to increase the insulation.
- the ball-shaped door seal with three chambers has a double insulation area that reduces condensation and consumption.
- all the internal components (e. g. rear supports) are removable.
- the appliance has a conveyor that distributes the internal air flow uniformly, thereby allowing a uniform temperature to be maintained even when there is an excessive product load.
- the position of the compressor facilitates charging with gas.
- there can be various types of refrigerant gas:
 - R134a
 - R404a
 - R290

C.4 Easy cleaning

The cupboard line is easy to clean thanks to the rounded corners and the possibility of removing all the internal components.

C.5 Recyclability and environmental impact

The appliances have been designed also taking environmental impact into account, and therefore the following have been used:

- cyclopentane for the foaming, which offers better insulation and is 100% “environmentally friendly”(good environmental impact);
- the refrigerating units use an HFC (R134a/R404a) or HC (R290) refrigerant fluid allowed by the current regulations.
- the refrigerating unit can be removed in one piece;
- the parts of the appliance are made from recyclable material.

C.6 Intended use and restrictions

Our appliances are designed and optimised in order to obtain high performance and efficiency. This appliance is designed for the refrigeration and preservation of foods.

Any other use is deemed improper.



CAUTION

Do not use the appliance to store bottles: the inside racks are not suitable for this type of use.



CAUTION

The machine is not suitable for installation outdoors and/or in places exposed to atmospheric agents (rain, direct sunlight, etc.).



NOTE!

The manufacturer declines any liability for improper use of the product.

C.7 Testing and inspection

Our appliances have been designed and optimized, with laboratory testing, in order to obtain high performance and efficiency.

The appliance is shipped ready for use.

Passing of the tests (visual inspection - electrical test - functional test) is guaranteed and certified by the specific enclosures.

C.8 Copyright

This manual is intended solely for consultation by the operator and can only be given to third parties with the permission of Electrolux Professional company.

C.9 Keeping the manual

The manual must be carefully kept for the entire life of the machine, until scrapping. The manual must stay with the machine in case of transfer, sale, hire, granting of use or leasing.

C.10 Recipients of the manual

This manual is intended for:

- the carrier and handling personnel;
- installation and commissioning personnel;
- the employer of machine users and the workplace manager;
- operators for normal machine use;
- specialised personnel - Customer Care service (see service manual).

C.11 Definitions

Listed below are the definitions of the main terms used in the manual. It is advisable to read them carefully before use.

| | |
|--|--|
| Operator | machine installation, adjustment, use, maintenance, cleaning, repair and transport personnel. |
| Manufacturer | Electrolux Professional SpA or any other service centre authorised by Electrolux Professional SpA. |
| Operator for normal machine use | an operator who has been informed and trained regarding the tasks and hazards involved in normal machine use. |
| Customer Care service or specialised personnel | an operator instructed/trained by the Manufacturer and who, based on his professional and specific training, experience and knowledge of the accident-prevention regulations, is able to appraise the operations to be carried out on the machine and recognise and prevent any risks. His professionalism covers the mechanical, electrotechnical and electronics fields etc. |
| Danger | source of possible injury or harm to health. |

| | |
|---------------------|---|
| Hazardous situation | any situation where an operator is exposed to one or more hazards. |
| Risk | a combination of probabilities and risks of injury or harm to health in a hazardous situation. |
| Protection devices | safety measures consisting of the use of specific technical means (guards and safety devices) for protecting operators against risks. |
| Guard | an element of a machine used in a specific way to provide protection by means of a physical barrier. |
| Safety device | a device (other than a guard) that eliminates or reduces the risk; it can be used alone or in combination with a guard. |
| Customer | the person who purchased the machine and/or who manages and uses it (e. g. company, entrepreneur, firm). |
| Electrocution | an accidental discharge of electric current on a human body. |

C.12 Responsibility

The Manufacturer declines any liability for damage and malfunctioning caused by:

- non-compliance with the instructions contained in this manual;
- repairs not carried out in a workmanlike fashion, and replacements with parts different from those specified in

the spare parts catalogue (the fitting and use of non-original spare parts and accessories can negatively affect machine operation and invalidates the original manufacturer warranty);

- operations carried out by non-specialised personnel;
- unauthorized modifications or operations;
- missing, lack or inadequate maintenance;
- improper machine use;
- unforeseeable extraordinary events;
- use of the machine by uninformed and / or untrained personnel;
- non-application of the current provisions in the country of use, concerning safety, hygiene and health in the workplace.

The Manufacturer declines any liability for damage caused by arbitrary modifications and conversions carried out by the user or the Customer.

The employer, workplace manager or service technician are responsible for identifying and choosing adequate and suitable personal protection equipment to be worn by operators, in compliance with regulations in force in the country of use.

The Manufacturer declines any liability for inaccuracies contained in the manual, if due to printing or translation errors.

Any supplements to the installation, use and maintenance manual the Customer receives from the Manufacturer will form an integral part of the manual and therefore must be kept together with it.

D TRANSPORT, HANDLING AND STORAGE



WARNING

Refer to “*Warning and Safety Information*”.

D.1 Handling



CAUTION

The appliances must be handled in the upright position. If the appliance is handled in a horizontal position, make sure to wait a few hours before making it operational.

D.1.1 Procedures for handling operations

Before lifting:

- send all operators to a safe position and prevent persons from entering the handling area;
- make sure the load is stable;
- make sure no material can fall during lifting. Manoeuvre vertically in order to avoid impacts;
- handle the machine, keeping it at minimum height from the ground.

D.1.2 Placing the load

Remove the appliance from the wooden pallet, move it to one side, then slide it onto the floor.

D.2 Unpacking



IMPORTANT

Immediately check for any damage caused during transport. Inspect the packaging before and after unloading.

Remove the packaging. Take care when unpacking and handling of the appliance to not cause any shocks on itself.



NOTE!

- The forwarder is responsible for the goods during transport and delivery.
- Make a complaint to the forwarder in case of visible or hidden damage.
- Specify any damage or shortages on the dispatch note.
- The driver must sign the dispatch note: the forwarder can reject the claim if the dispatch note is not signed (the forwarder can provide the necessary form).




Unpack the machine carrying out the following operations:

- cut the straps and remove the protective film, taking care not to scratch the surface if scissors or blades are used;
- remove the cardboard top, the polystyrene corners and the vertical protection pieces;
- for appliances with stainless steel cabinet, remove the protective film very slowly without tearing it, to avoid leaving glue stuck to the surface;
- should this happen, remove the traces of glue with a non-corrosive solvent, rinsing it off and drying thoroughly;
- it is advisable to go over all the stainless steel surfaces with a rag soaked in paraffin oil in order to create a protective film.

D.2.1 Disposal of packing

The packing must be disposed of in compliance with the current regulations in the country where the appliance is used. All the packing materials are environmentally friendly.

They can be safely kept, recycled or burned in an appropriate waste incineration plant. Recyclable plastic parts are marked as follows:

| | |
|---|--|
|  PE | Polyethylene <ul style="list-style-type: none"> • Outer wrapping • Instructions bag |
|  PP | Polypropylene <ul style="list-style-type: none"> • Straps |
|  PS | Polystyrene foam <ul style="list-style-type: none"> • Corner protectors |

The parts in wood and cardboard can be disposed of, respecting the current regulations in the country where the machine is used.

D.3 Storage

The appliance and/or its parts must be stored and protected from damp, in a non-aggressive place, free of vibrations and with room temperatures between -10°C [14°F] and 50°C [122°F].

The place where the appliance is stored must have a flat support surface to avoid deforming the appliance or damage to the support feet.



CAUTION

The appliance must be levelled, otherwise its operation could be affected.

E TECHNICAL DATA



WARNING

Refer to “*Warning and Safety Information*”.

in a hermetically sealed device. An HFC (R134a(GWP:1430)/R404a(GWP:3922)/R407a(GWP:2107)) or HC refrigerant fluid for models with refrigerant R290, complying with the current regulations, is used in the refrigerating units. The type of gas used is given on the data plate. The CO2 equivalent of the gas may be calculated multiplying GWP value by quantity of gas.

E.1 Materials and fluids used

The areas in contact with the product are in steel or coated with non-toxic plastic material. The fluorinated gases are contained

E.2 Main technical characteristics

| | |
|------------------------|---|
| Rack dimensions mm | 520 x 442 (600 mm models) 700 x 530 (900 mm models) |
| Gross capacity L | 470 (600 mm models) 720 (900 mm models) |
| Power supply voltage V | 230V/50Hz ¹ 220V/60Hz ¹ 220V/50-60Hz ¹ |

1. Depending on the model

| Temperature range in compartment | |
|--|------------------|
| Refrigerated models with fully insulated door and glass door | 0/+10 |
| Freezer models with fully insulated door | -15/-22 |
| Refrigerated models with separate compartments | 0/+10 0/+10 |
| Refrigerated/freezer models with separate compartments | 0/+10 -15/-22 |
| “Ice-cream preserver” models | -12/-28 |
| “Marine” refrigerated models | 0/+10 |
| “Marine” freezer models | -15/-22 |



NOTE!

The energy labelling refers to original manufactured configuration.

F INSTALLATION AND ASSEMBLY



WARNING

Refer to “*Warning and Safety Information*”



CAUTION

Before moving the appliance make sure the load bearing capacity of the lifting equipment used is suitable for its weight.

F.1 Introduction

To ensure correct operation of the appliance and maintain safe conditions during use, carefully follow the instructions given below in this section.

F.2 Customer's responsibilities

The tasks and works required of the Customer are:

- provide an earthed power socket of suitable capacity for the input specified on the dataplate;

- provide a high sensitivity manual-reset differential thermal-magnetic switch;
- for information regarding the electrical connection, refer to *Electrical connection*;
- check the floor planarity on which the machine is placed.

F.3 Positioning

Install the appliance in a ventilated place, away from heat sources such as radiators or air conditioning systems, to allow correct cooling of the refrigerating unit components.

If the machine is installed in a place where there are corrosive substances (chlorine, etc.), it is advisable to go over all the stainless steel surfaces with a rag soaked in paraffin oil to create a protective film.

Never cover the condenser, even temporarily, as this can compromise proper operation of the condenser and therefore the appliance.

The machine must be taken to the place of installation and the packing base removed only when being installed.

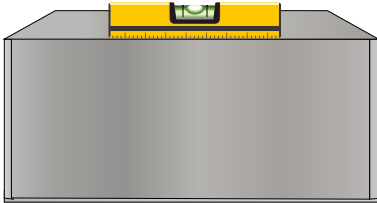
Arranging the machine:

- position the machine in the required place;
- adjust the height and levelling with the adjustment feet, also checking correct door closing



CAUTION

The appliance must be levelled, otherwise its operation could be affected.



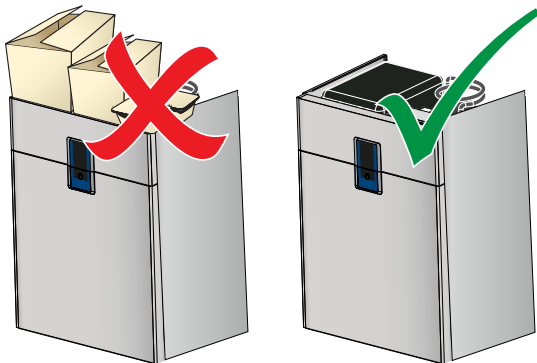
If the machine is to be installed in places with low ceilings (2100 mm), the feet should be replaced with lower ones, available to order (kit code 880326-no.4 feet H67-80).



CAUTION

Wait at least 2 hours before starting the appliance, to allow the oil to flow back into the compressor.

There must be free air circulation above the appliance, at the refrigerating unit. There must be no obstructions caused by trays, cardboard boxes, jars or other materials

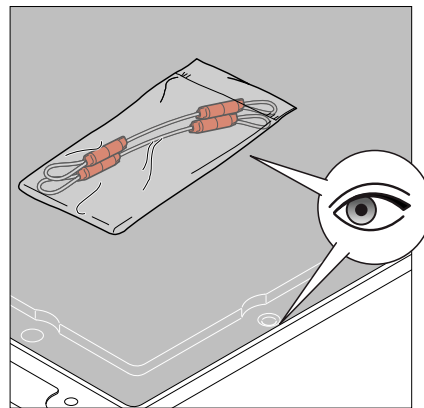
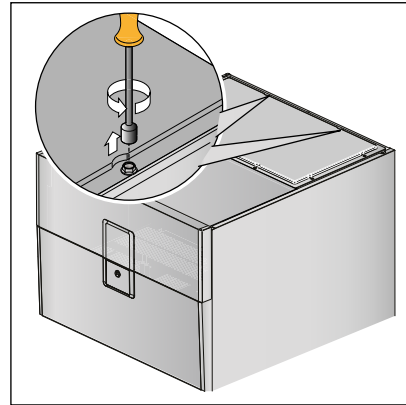


F.4 Fitting anti-tipping cables on the appliance

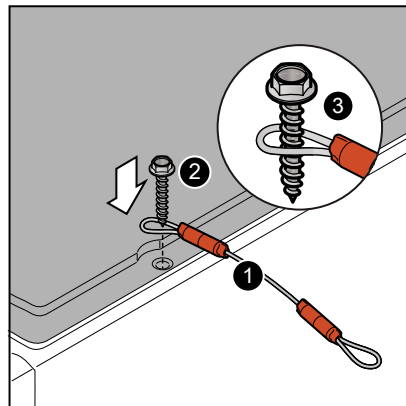
When installing the appliance, make sure to fix the anti-tipping cables to it. To fit, proceed as follows:

600 mm models

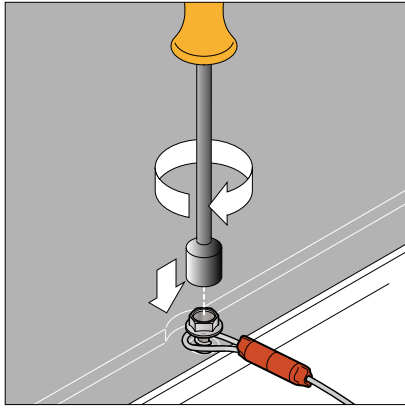
1. undo the two hex screws positioned on the roof of the machine, as shown in the figure, and remove the cables from their packing:



2. join a slot of the cable to the hex screw, as shown in the figure:



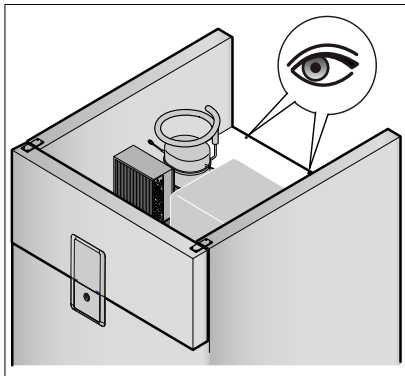
3. retighten the screw complete with the cable on the roof of the appliance.



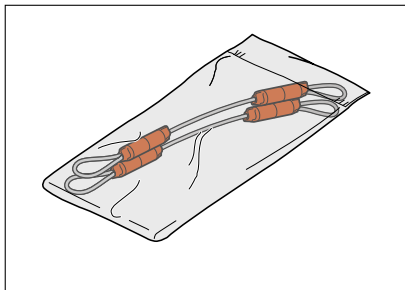
4. the cable, must then be fixed to the wall using a plug, to permanently secure the appliance.
5. Repeat the same operation also with the other cable.

900 mm models

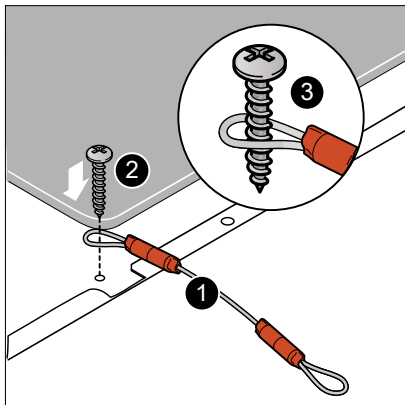
1. there are 2 holes on the roof of the machine, at the areas shown in the following figure:



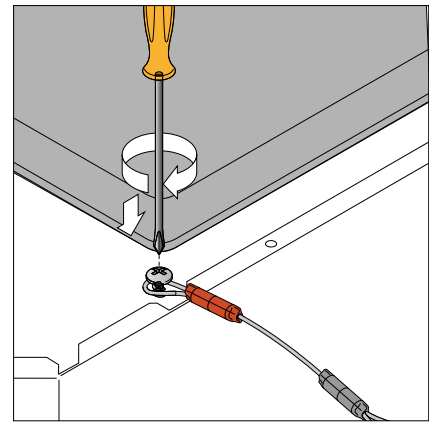
2. remove the cables from their packing:



3. join a slot of the cable to one of the two screws supplied with the machine, as shown below:



4. retighten the screw complete with the cable on the roof of the appliance:



5. the cable, must then be fixed to the wall using a plug, to permanently secure the appliance.

F.5 Reversing opening of fully insulated doors



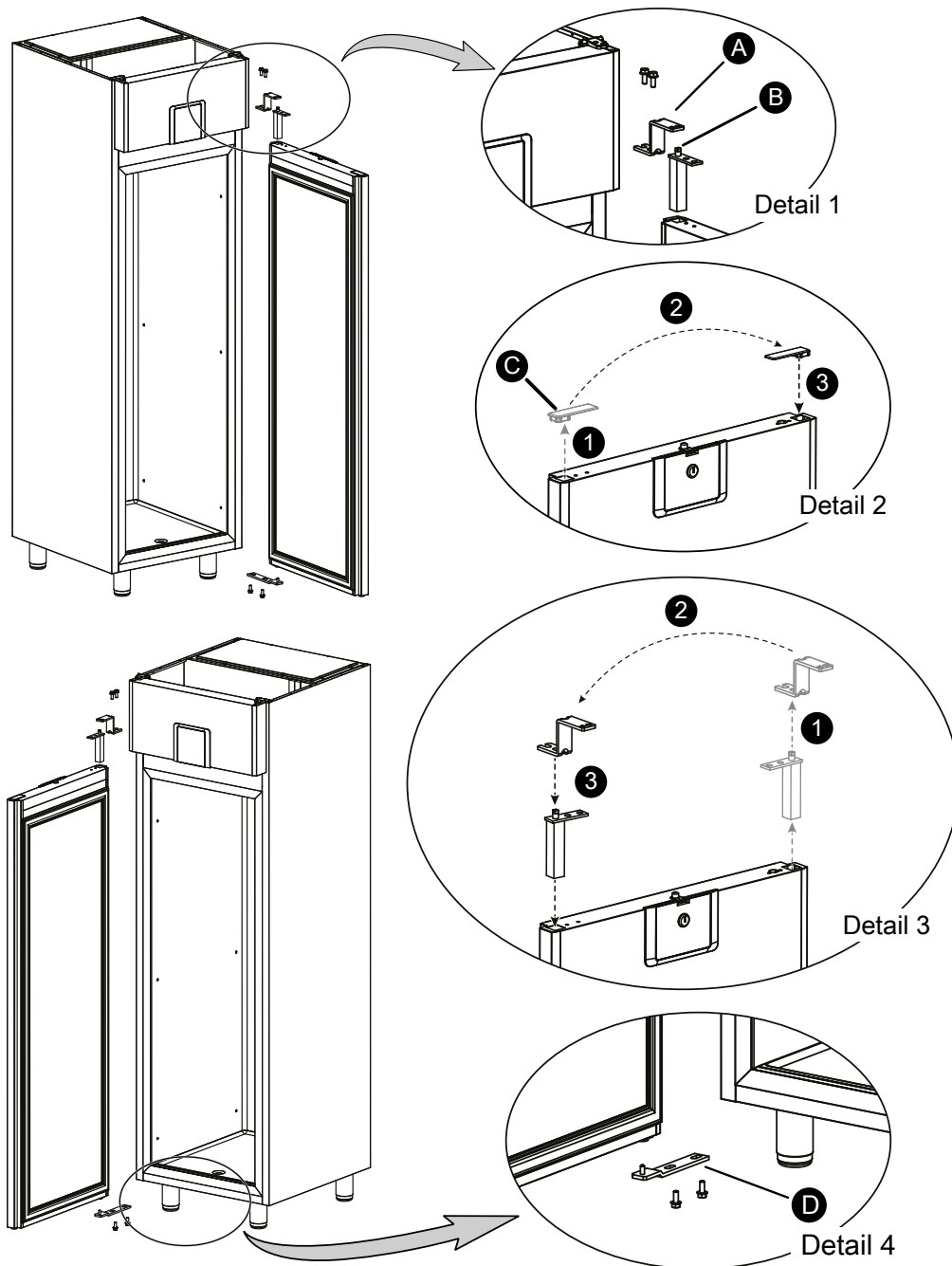
CAUTION

The user cannot reverse the door opening direction in all models with glass door. Models with glass door come with opening from left to right. To reverse the opening direction, call the Customer Care Service.

The refrigerated cupboards are normally supplied with right opening.

When changing to left opening, proceed as follows:

- open the control panel, loosening the 2 screws located between the panel and door;
- remove the cap located on the left side and refit it on the right side of the control panel;
- undo the 2 screws of the upper bracket "A", the hinge fastening screw "B" and the 2 fixing screws (Detail 1);
- remove the cap "C" from the left side and place it on the right side (Detail 2);
- remove the door, pull out the hinge from its seat, move it from the right to the left and fit it in the hole as shown in the figure (Detail 3);
- position the upper bracket "A" between the door and the roof of the appliance, tightening the fixing screws (Detail 3);
- remove the lower bracket "D" from its seat and refit it in the special seat on the opposite side (Detail 4);
- position the door on the lower bracket "D";
- before tightening the screws, align the door with the cabinet panel, adjusting the lower and upper brackets and making sure the seal is perfectly fitted on all sides;
- then tighten the bracket fixing screws;
- close the control panel again, securing the 2 screws (previously loosened) between the panel and door.



F.6 Reversing opening of half doors

The refrigerated cupboards are normally supplied with right opening.

When changing to left opening, proceed as follows:

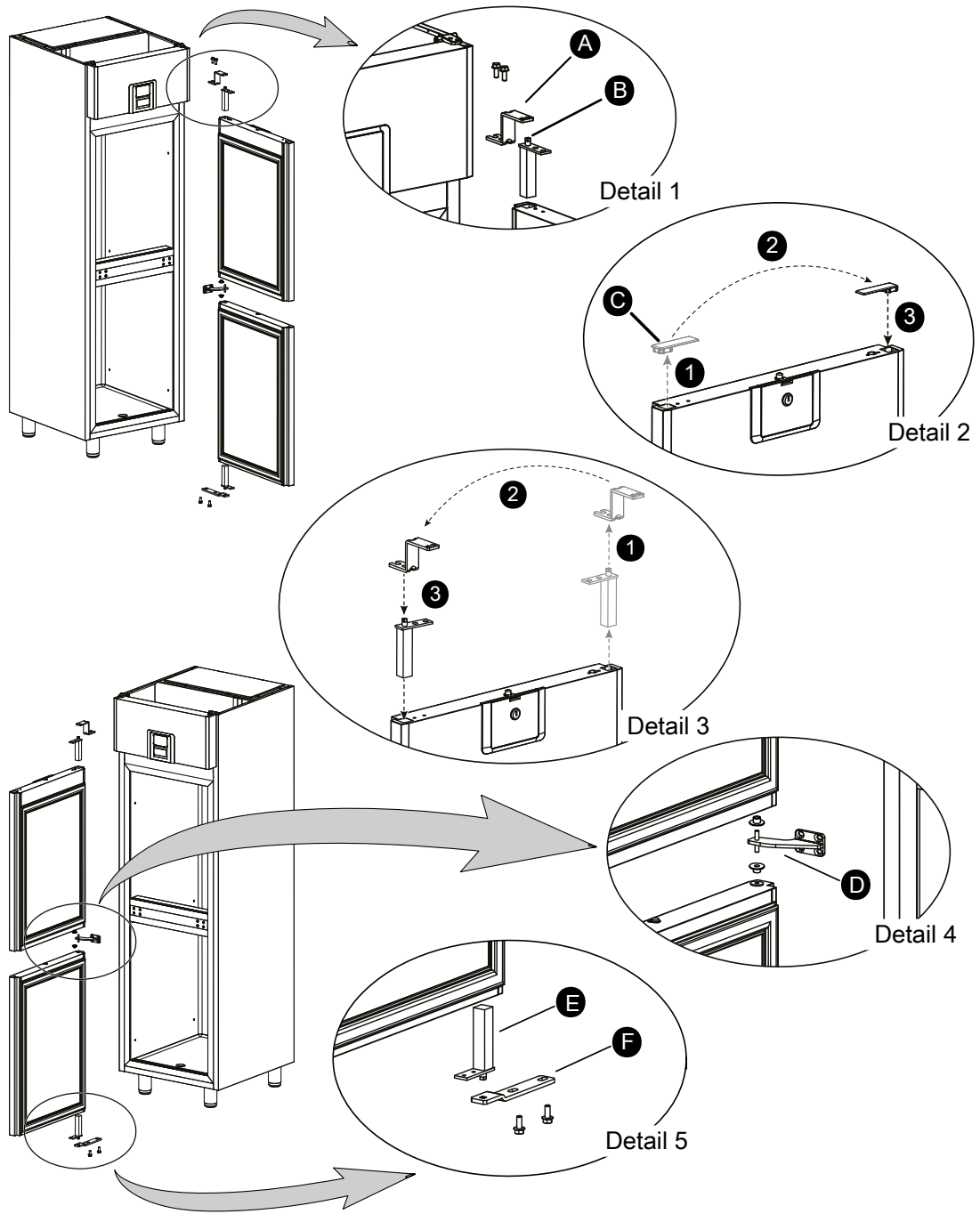
- open the control panel, loosening the 2 screws located between the panel and door;
- remove the cap located on the left side and refit it on the right side of the control panel;
- undo the 2 screws of the upper bracket "A", the hinge fastening screw "B" and the 2 fixing screws (Detail 1);
- remove the cap "C" from the left side and place it on the right side (Detail 2);
- remove the middle bracket "D" and fix it on the opposite side of the cabinet (Detail 4)
- remove the bottom hinge "E" and the lower bracket "F" from their seats and refit them in the special seats on the opposite side (Detail 5);

- position the bottom door on the bottom hinge "E";
- fix the middle bracket "D";
- position the top door on the middle bracket "D";
- position the upper bracket "A" between the door and the roof of the appliance, tightening the fixing screws;
- before tightening the screws, align the door with the cabinet panel, adjusting the lower and upper brackets and making sure the seal is perfectly fitted on all sides;
- then tighten the bracket fixing screws;
- close the control panel again, securing the 2 screws (previously loosened) between the panel and door.



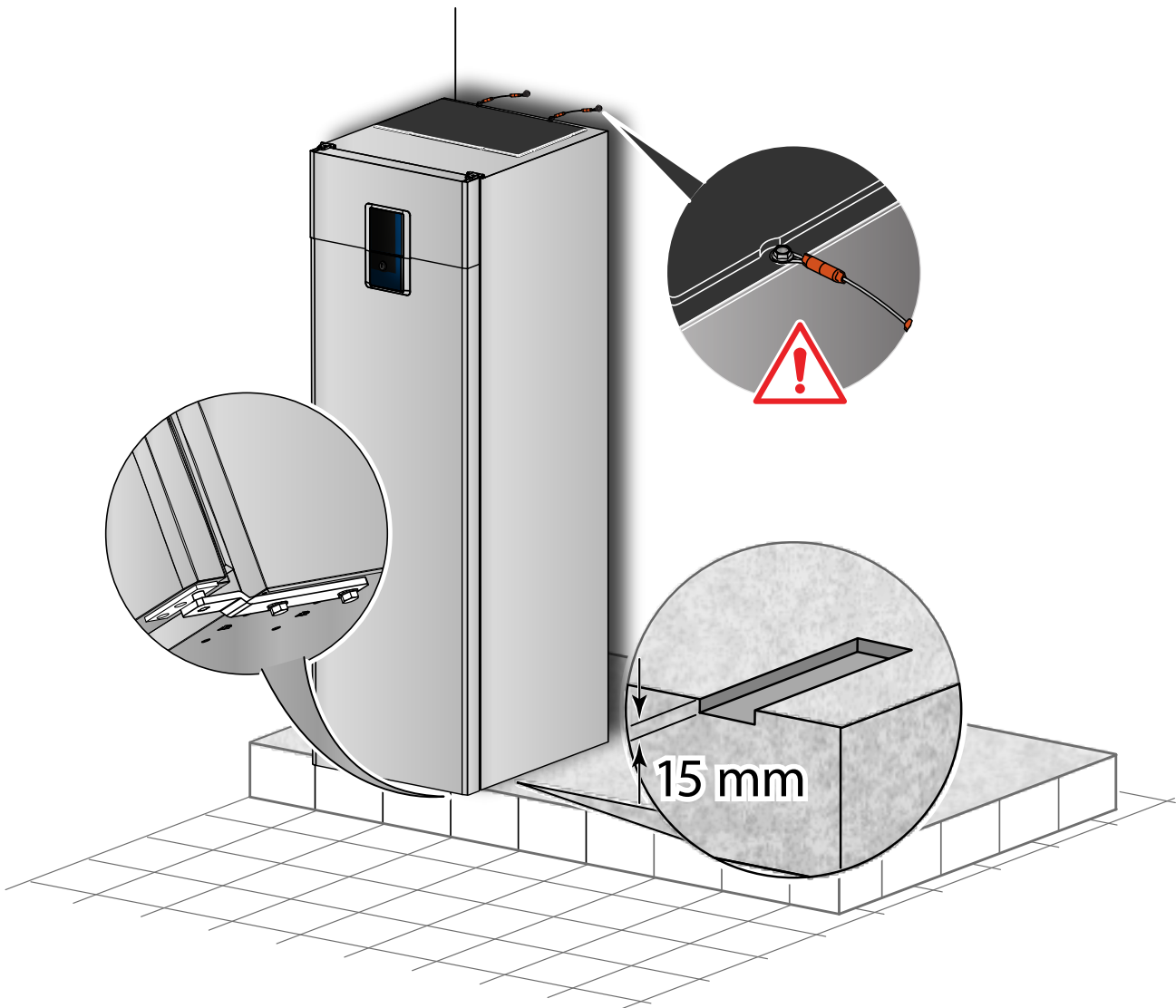
NOTE!

after carrying out the below operations, the holes in the appliance must be closed with the special plastic plugs.



**NOTE!**

in case of installation on a concrete plinth, make 2 slots near the door bottom bracket, as deep as the thickness of the bracket and the head of the screws (at least 15mm), as shown in the following image:



G MACHINE DISPOSAL



WARNING

Refer to “*Warning and Safety Information*”

G.1 Waste storage

At the end of the product's life-cycle, make sure it is not dispersed in the environment.

Depending on the model, the doors must be removed before scrapping the appliance.

SPECIAL waste materials can be stored temporarily while awaiting treatment for disposal and/or permanent storage. In any case, the current environmental protection laws in the user's country must be observed.

G.2 Procedure regarding appliance dismantling macro operations

Before disposing of the machine, make sure to carefully check its physical condition, and in particular any parts of the structure that can give or break during scrapping.

The machine's parts must be disposed of in a differentiated way, according to their different characteristics (e.g. metals, oils, greases, plastic, rubber, etc.).

Different regulations are in force in the various countries, therefore comply with the provisions of the laws and competent bodies in the country where scrapping takes place.

In general, the appliance must be taken to a specialised collection/ scrapping centre.

Dismantle the appliance, grouping the components according to their chemical characteristics, remembering that the compressor contains lubricant oil and refrigerant fluid which can be recycled, and that the refrigerator components are special waste assimilable with urban waste.



The symbol on the product indicates that this product should not be treated as domestic waste, but must be correctly disposed of in order to prevent any negative consequences for the environment and human health. For further information on the recycling of this product, contact the local dealer or agent, the Customer Care service or the local body responsible for waste disposal.



NOTE!

When scrapping the machine, any marking, this manual and other documents concerning the appliance must be destroyed.

CE