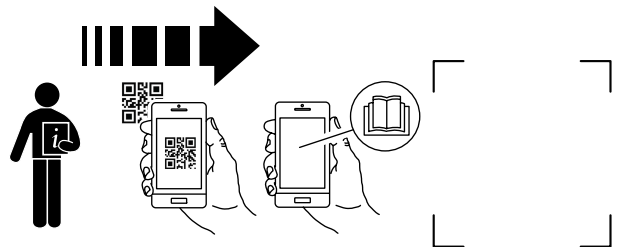


Vertical refrigerators

**Prostore**

**Type reference P.M....**

.....  
**EN\*** Quick guide



\*Original instructions

595R57502- 2024.05

## Contents

A	WARNING AND SAFETY INFORMATION .....	3
B	GENERAL INFORMATION .....	9
C	INSTALLATION AND ASSEMBLY .....	10
D	CONTROL PANEL .....	11
E	TROUBLESHOOTING .....	12

## Important notice

---



Read the full instructions, including warranty terms, and register your product before installing and using the appliance.

The instructions are available through the QR-code on the appliance.

---

In this Quick guide you will find the basic instructions about how to install and use the appliance.

Find the QR code on the first page of this guide:

1. make sure to have the application for QR code reading on your device and an internet connection available;
2. scan the QR code;
3. register your product;
4. consult the documents needed;

The complete Installation and user manuals are also available on Electrolux Professional SpA website:

[www.electroluxprofessional.com](http://www.electroluxprofessional.com)

## A WARNING AND SAFETY INFORMATION

### A.1 General information

To ensure safe use of the appliance and a proper understanding of the manual it is necessary to be familiar with the terms and typographical conventions used in the documentation. The following symbols are used in the manual to indicate and identify the various types of hazards:



#### **WARNING**

Danger for the health and safety of operators.



#### **WARNING**

Danger of electrocution - dangerous voltage.



#### **CAUTION**

Risk of damage to the appliance or the product.



#### **WARNING**

Risk of fire / Flammable materials



Pressure



#### **IMPORTANT**

Important instructions or information on the product



Read the instructions before using the appliance



Clarifications and explanations

- Only specialised personnel are authorised to operate on the appliance.
- This appliance is not intended for use by persons (including children) with reduced physical, sensory or mental capabilities, or lack of experience and knowledge, unless they have been given supervision or instruction concerning use of appliance by a person responsible for their safety.
- (ONLY FOR EUROPE) This appliance can be used by children aged from 8 years and above and persons with reduced physical, sensory or mental capabilities or lack of experience and knowledge if they have been given supervision or instruction concerning use of the appliance in a safe way and understand the hazards involved.
- Children should be supervised to ensure that they do not play with the appliance.
- Keep all packaging and detergents away from children.
- Cleaning and user maintenance shall not be made by children without supervision.
- For your safety do not store or use gasoline or other flammable materials, vapours and liquids in the vicinity of this or any other appliance.
- Do not store explosive substances, such as pressurized containers with flammable propellant, in this appliance.
- Refer to the data given on the appliance's data plate for relations with the Manufacturer (e.g. when ordering spare parts, etc.).
- When scrapping the appliance, the marking must be destroyed.
- Save these instructions carefully for further consultation by the various operators.






### A.2 Description of type reference

P.M....	
P	Prostore vertical refrigerator
▪	Model 90= 900 mm Module (700 lt) 60 = 600 mm Module (400 lt)
▪	<ul style="list-style-type: none"> <li>• Version one temperature TN= positive temperature BT= negative temperature</li> </ul>
▪	<ul style="list-style-type: none"> <li>• Version two temperature None= only one temperature TN= positive temperature BT= negative temperature</li> </ul>

•	Ventilation type None= standard (upper ventilation) / M= Marine (frontal ventilation)
•	Refrigerant type None= built-in cooling unit R134a or R404a or Remote models HC= built-in cooling unit R290

### A.3 Personal protection equipment

Summary table of the Personal Protection Equipment (PPE) to be used during the various stages of the appliance's service life.

Stage	Protective garments 	Safety footwear 	Gloves 	Glasses 	Safety helmet 
Transport	—	●	○	—	—
Handling	—	●	○	—	—
Unpacking	—	●	○	—	—
Installation	—	●	● <sup>1</sup>	—	—
Normal use	●	●	● <sup>2</sup>	—	—
Adjustments	○	●	—	—	—
Routine cleaning	○	●	● <sup>1-3</sup>	○	—
Extraordinary cleaning	○	●	● <sup>1-3</sup>	○	—
Maintenance	○	●	○	—	—
Dismantling	○	●	○	○	—
Scrapping	○	●	○	○	—
<b>Key:</b>					
●	<b>PPE REQUIRED</b>				
○	<b>PPE AVAILABLE OR TO BE USED IF NECESSARY</b>				
—	<b>PPE NOT REQUIRED</b>				

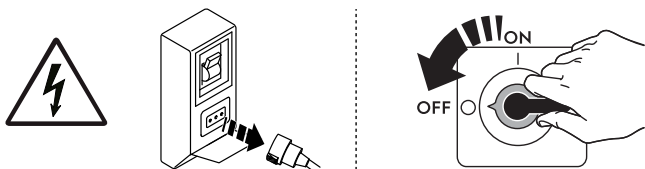
1. During these operations, gloves must be cut-resistant. Failure to use the personal protection equipment by operators, specialized personnel or users can involve exposure to damage to health (depending on the model).

2. During these operations, gloves must protect hands from the cold tray when being removed from the appliance. Failure to use the personal protection equipment by operators, specialised personnel or users can involve exposure to chemical risk and cause possible damage to health (depending on the model).

3. During these operations, gloves must be suitable for contact with chemical substances used (refer to the safety data sheet of the substances used for information regarding the required PPE). Failure to use the personal protection equipment by operators, specialized personnel or users can involve exposure to chemical risk and cause possible damage to health (depending on the model).

### A.4 General safety

- The appliances are provided with electric and/or mechanical safety devices for protecting workers and the appliance itself.
- Never operate the appliance, removing, modifying or tampering with the guards, protection or safety devices.
- Do not make any modifications to the parts supplied with the appliance.
- Several illustrations in the manual show the appliance, or parts of it, without guards or with guards removed. This is purely for explanatory purposes. Do not use the appliance without the guards or with the protection devices deactivated.



Disconnect the appliance from the power supply before carrying out any installation, assembly, cleaning or maintenance procedure.

- Do not remove, tamper with or make illegible the marking and safety, danger and instruction signs and labels on the appliance.
- The A-weighted emission sound pressure level does not exceed 70 dB(A).<sup>1</sup>
- Carefully avoid exposure of the equipment to ozone - do not use ozonizers in the rooms where the equipment is installed.
- The following operations have to be carried out by specialised authorised personnel or Customer Care Service provided with all the appropriate personal protection equipment (A.3 *Personal protection equipment*), tools, utensils and ancillary means, who can ask the manufacturer to supply a servicing manual:
  - Installation and assembly
  - Installation of the refrigerant fluid condensing unit
  - Positioning

1. The noise emission values have been obtained according to EN ISO 11204. The value could increase depending on the workplace where measured.

- Electrical connection
- Appliance cleaning, repair and extraordinary maintenance
- Appliance disposal
- Work on electrical equipment
- Dismantling operations of appliances which use R290 or R-744 (with a refrigeration system under high pressure)
- Dismantling operations of appliances which use flammable insulation blowing gases;





## A.5 Protection devices installed on the appliance

### Guards

The appliance has:

- fixed guards (e.g. casings, covers, side panels, etc.), fixed to the appliance and/or frame with screws or quick-release connectors that can only be removed or opened with tools; therefore the user must not remove or tamper with such devices. The Manufacturer declines any liability for damage due to tampering or their non-use;
- interlocked movable guards (door) for access inside the appliance;
- appliance electrical equipment access panels or doors, made from hinged panels openable with tools. The panel or the door must not be opened when the appliance is connected to the power supply.

## A.6 Safety signs to be placed on the appliance or near its area

Prohibition	Meaning
	do not remove the safety devices
	do not use water to extinguish fires (placed on electrical parts)
Danger	Meaning
	caution hot surface
	danger of electrocution (shown on electrical parts with indication of voltage)

## A.7 Reasonably foreseeable improper use

Improper use is any use different from that specified in this manual. During appliance operation, other types of work or activities deemed improper and that in general can involve risks for the safety of operators and damage to the appliance are not allowed. Reasonably foreseeable improper use includes:

- lack of appliance maintenance, cleaning and periodical checks;
- structural changes or modifications to the operating logic;
- tampering with the guards or safety devices;
- failure to use personal protection equipment by operators, specialised personnel and maintenance personnel;
- failure to use suitable accessories (e.g. use of unsuitable equipment or ladders);
- keeping combustible or flammable materials, or in any case materials not compatible with or pertinent to the work, near the appliance;
- wrong appliance installation;
- placing in the appliance any objects or things not compatible with its use, or that can damage the appliance, cause injury or pollute the environment;
- climbing on the appliance;
- non-compliance with the requirements for correct appliance use;
- other actions that give rise to risks not eliminable by the Manufacturer.
- failure to insure complete closure of doors or drawers, through forgetfulness or carelessness
- place the product in the compartments so as to block proper air circulation or hinder the perfect closing of doors / drawers
- exceed product weight allowed for each shelf / drawer

## A.8 Residual risks

The appliance has several risks that were not completely eliminated from a design standpoint or with the installation of adequate protection devices. Nevertheless, through this manual the Manufacturer has taken steps to inform operators of such risks, carefully indicating the personal protection equipment to be used by them. In order to reduce the risks, provide for sufficient spaces while installing the unit.

To preserve these conditions, the areas around the appliance must always be:

- kept free of obstacles (e.g. ladders, tools, containers, boxes, etc.);
- clean and dry;
- well lit.

For the Customer's complete information, the residual risks remaining on the appliance are indicated below: such actions are deemed improper and therefore strictly forbidden.

Residual risk	Description of hazardous situation
Slipping or falling	The operator can slip due to water, any liquid or dirt on the floor
Burns/abrasions (e.g. heating elements, cold pan, cooling circuit plates and pipes)	The operator deliberately or unintentionally touches some components inside the appliance without using protective gloves.
Electrocution	Contact with live parts during maintenance operations carried out with the electrical panel powered
Falling from above	The operator intervenes on the appliance using unsuitable systems to access the upper part (e.g. rung ladders, or climbs on it)
Crushing or injury	The specialised personnel may not correctly fix the control panel when accessing the technical compartment. The panel could close suddenly.
Tipping of loads	When handling the appliance or the packing containing it, using unsuitable lifting systems or accessories or with the unbalanced load
Chemical (refrigerant gas)	Inhalation of refrigerant gas. Therefore always refer to the appliance labels
Sudden closure	The operator for normal appliance use could suddenly and deliberately close the door/drawers (if present, depending on the appliance type).

## A.9 Technical data

- The data plate and the energy labelling refer to original manufactured configuration.
- The appliance that can operate at 50 Hz or 60 Hz does not need any setting by the user.

### Materials and fluids used

- R290 gas is potentially flammable and explosive. Take every possible precaution to prevent any risk linked to the nature of this gas during any routine and/or extraordinary operation carried out on the appliance.
- In appliances using R-744 as refrigerant, the design pressure is 14 MPa (140 bar).  
WARNING: the refrigeration system is under high side pressure. Do not tamper with it. Contact qualified service personnel before disposal.

## A.10 Climatic Class

### Climatic Class

The climatic class given on the data plate refers to the following values:

- **Fully insulated door models, "ice-cream preservers" and "Marine" models:**  
Climatic Class 5:  
– 43°C (IEC/EN 60335-2-89)  
– 40°C room with 40% relative humidity (EN 16825/EN ISO 22041).
- **Glass door models:**  
Climatic Class 5:  
– 43°C (IEC/EN 60335-2-89)  
– 30°C room with 55% relative humidity (EN 16825/EN ISO 22041).

## A.11 Transport, handling and storage

- Transport (i.e. transfer of the appliance from one place to another) and handling (i.e. transfer inside workplaces) must occur with the use of special and adequate means.
- Please refer to indications on packaging for stackability during transport, handling and storage.
- Do not stand under suspended loads during loading or unloading operations. Unauthorized personnel must not enter the work area.
- The weight of the appliance alone is not sufficient to keep it steady.
- For appliance handling, do not lift and anchor it to movable or weak parts such as: casings, electrical raceways, pneumatic parts, etc.
- Do not push or pull the appliance to move it, as it may tip over. Use proper tool to lift the appliance.
- Arrange a suitable area with flat floor for appliance unloading and storage operations.
- Appliance transport, handling, shifting and storage personnel must be adequately instructed and trained regarding the safely use of lifting systems and personal protection equipment suitable for the type of operation carried out.
- When removing the anchoring systems, make sure the stability of the appliance parts does not depend on the anchoring and, therefore, that this operation does not cause the load to fall off the vehicle. Before unloading the appliance components, make sure all the anchoring systems are removed.

## A.12 Installation and assembly

- The installer must evaluate the minimum volume of the installation's environment necessary to reduce the risks related to danger caused by the flammability and toxicity of the refrigerant present in the appliance.

- The operations described must be carried out in compliance with the current safety regulations and provisions in force in the country of use.
- The appliance is not suitable for installation outdoors and/or in places exposed to atmospheric agents (rain, direct sunlight, etc.).

### A.13 Electrical connection

- The power supply system must be suitable for the rated current of the connected appliance; the connection must be carried out in compliance with the regulations and provisions in force in the country of use.
- For appliances with remote unit, the connection must be made separately for the unit and the appliance.
- The information regarding the appliance power supply voltage and frequency is given on the data plate.
- Install between the power cable and the electric line a differential thermal-magnetic switch suitable for the absorption specified on the data plate, with contact gap enabling complete disconnection in category III overvoltage conditions and complying with the regulations in force.  
For the correct sizing of the switch or plug, refer to the absorbed current specified on the appliance data plate.
- After making the connection, with the appliance running check that the power supply does not fluctuate by  $\pm 10\%$  the rated voltage.
- With models arranged for operation without incorporated refrigerating system, carry out the condensing unit and solenoid valve electrical connections as shown in the wiring diagram accompanying the appliance. The connection must be made with a cable of suitable section. Insert and secure the cables with the special cable clamp. Correctly connect each wire to the corresponding terminal.
- If the power cable is damaged or too short, it must be replaced by the Customer Care Service or in any case by specialised personnel, in order to prevent any risk.
- The manufacturer declines any liability for damage or injury resulting from breach of the above rules or non-compliance with the electrical safety regulations in force in the country where the appliance is used.

### A.14 Electrical connection for appliances with plug

- To connect to the power supply, insert the power cable plug in the corresponding mains socket, first making sure:
  - the socket has an efficient earth contact and the mains voltage and frequency match that given on the dataplate. In case of any doubts regarding the efficiency of the earth connection have the system checked by specialised personnel.
  - the system power supply is arranged and able to take the actual current absorption and that it is correctly executed according to the regulations in force in the country of use.
- The plug must be accessible after positioning the appliance in the place of installation.
- The plug must be in a position always visible to the operator performing the intervention during maintenance operations.

### A.15 Electrical connection for appliances with cable without plug

- The connection point has an efficient earth contact and the mains voltage and frequency match that given on the data plate. In case of doubts regarding the efficiency of the earth wire, have the system checked by specialised personnel.
- The appliance must be permanently connected to the power supply, respecting the polarities:
  - brown/black<sup>2</sup>/gray<sup>2</sup>: phase
  - yellow/green: earth
  - blue: neutral
- An H05VV-F type power cable (code 60227 IEC 53) is used for the permanent connection to the mains; in case of replacement, use a type with at least these characteristics. When replacing the cable, the earth wire must be kept longer than the live and neutral wires.
- The differential thermal-magnetic switch must be lockable in the open position in case of maintenance.
- If using a plug, it must comply with the national installation rules. The plug must also be:
  - accessible after the appliance has been positioned
  - in the place of installation;
  - in a position always visible to the operator performing the intervention during maintenance operations;

### A.16 Positioning

- Install the appliances, taking all the safety precautions required for this type of operation, also respecting the relevant fire-prevention measures.
- For the choice of remote condensing unit refer to the unit recommended by the Manufacturer, given on the equipment technical sheet.
- In case of extraordinary size of the remote condensing unit refer to the technical sheet for the refrigerating capacity data or consult the Manufacturer's website or Local Service Center/ Agency authorized by the Manufacturer.
- In appliance with R-744 as refrigerant, a pressure relief device shall be installed in the high pressure side of the refrigeration system between the motor-compressor and the gas cooler. There shall be shut off devices or other components except piping between the motor-compressor and the pressure relief device that could introduce a pressure drop.
- The pressure relief device shall be mounted so that any refrigerant released from the system during its operation can not cause harm to the user of the appliance. The aperture shall be located so that it is unlikely to be obstructed in normal use.
- The installed pressure relief device shall have no provisions for setting by the end user.
- The pressure setting of the installed pressure relief device shall be no higher than the design pressure of the high-pressure side.
- For any fine-tune setting to the electronic valve parameters please refer to the service manual on the website.
- In case of "Marine" models, the appliances must be fixed to the floor.
- Prevent the areas where the appliance is installed to be polluted with corrosive substances (chlorine, etc.). The manufacturer declines any liability for corrosive effects due to external causes.

2. present only in appliances with three-phase power supply

## A.17 Wall fixing

- When installing 600 mm glass door with incorporated refrigerating system models – 600 mm glass door without incorporated refrigerating system models – 900 mm without incorporated refrigerating system models with high feet make sure to fix the anti-tipping cables to it. To fit proceed as shown in the paragraph “Fitting anti-tipping cables on glass door models with feet”.

## A.18 Appliance space limitations

- Make sure to position the appliance at least 500 mm from the top, 50 mm from the back and from any other machines present in the room (in fact, close proximity can create problems of condensate forming on the walls of the appliance), also taking into consideration the space needed for door opening. **Marine models:** (except for 600 mm freezer R290 50Hz) make sure to position the appliance at least 105 mm from the top, 50 mm from the back and from any other machines present in the room; For 600 mm freezer R290 50Hz model make sure to position the appliance at least 250 mm from the top, 50 mm from the back and from any other machines present in the room.

## A.19 Product loading and unloading

- Cover or wrap food before placing it in the refrigerator and avoid putting very hot foods or steaming liquids inside.
- Do not use spray products for defrosting; in fact, they can be harmful to the health and/or damage the materials the appliance is made from.

### WARNING:

- Do not use mechanical devices or other means to speed up the defrost process, unless recommended by the manufacturer.
- Do not damage the refrigerant circuit.
- Do not use electrical appliances inside the appliance compartments for storing frozen food, unless such equipment is recommended by the manufacturer.
- Keep the ventilation openings in the appliance casing free of any obstructions.

## A.20 Maximum load

Regarding the maximum load for each appliance and each shelf, respect that given in the table below:

SHELF MAXIMUM LOAD	Prostore 600mm= 40 KG – Prostore 900mm= 60KG – Prostore ice-cream preservers= 60KG
--------------------	--

## A.21 Appliance cleaning

- Do not touch the appliance with wet hands or feet or when barefoot.
- Use a ladder with suitable protection for work on appliances with high accessibility.
- Put the appliance in safe conditions before starting any cleaning operation.
- Respect the requirements for the various routine and extraordinary maintenance operations. Non-compliance with the instructions can create risks for personnel.
- Do not spray water or use water jets, steam cleaner or high pressure cleaner.

## A.22 Cleaning the cabinet and accessories

- Before using the appliance, clean all the internal parts and accessories with lukewarm water and neutral soap, then rinse and dry thoroughly.
- Do not clean the appliance with detergents containing chlorine, solvent-based cleaning products (e. g. trichloro-ethylene), abrasive powders or agents.

## A.23 Parts and accessories

Use only original accessories and/or spare parts. Failure to use original accessories and/or spare parts will invalidate the original manufacturer warranty and may render the appliance not compliant with the safety standard.

## A.24 Precautions for use and maintenance

- During maintenance several risks remain, as these could not be eliminated, and must be neutralised by adopting specific measures and precautions.
- Do not carry out any checking, cleaning, repair or maintenance operations on moving parts. Workers must be informed of this prohibition by means of clearly visible signs.
- Make sure to periodically check correct operation of all the safety devices and the insulation of electrical cables, which must be replaced if damaged.
- In case of a significant anomaly, fault or poor operation, the operator must immediately deactivate the appliance.

## A.25 Appliance maintenance

- The inspection and maintenance intervals depend on the actual appliance operating conditions and ambient conditions (presence of dust, damp, etc.), therefore precise time intervals cannot be given. In any case, careful and periodical appliance maintenance is advisable in order to minimise service interruptions.
- It is advisable to stipulate a preventive and scheduled maintenance contract with the Customer Care Service.
- Put the appliance in safe conditions before starting any maintenance operation.
- To guarantee appliance efficiency and correct operation, periodical maintenance must be carried out according to the instructions given in the manual.



## A.26 Maintenance intervals

It is advisable to carry out the checks with the frequency given in the following table:

Maintenance, inspections, checks and cleaning	Frequency	Responsibility
Ordinary cleaning <ul style="list-style-type: none"> <li>• general cleaning of appliance and surrounding area</li> </ul>	<ul style="list-style-type: none"> <li>• Daily</li> </ul>	<ul style="list-style-type: none"> <li>• Operator</li> </ul>
Mechanical protection devices <ul style="list-style-type: none"> <li>• check their condition and for any deformation, loosening or removed parts</li> </ul>	<ul style="list-style-type: none"> <li>• Yearly</li> </ul>	<ul style="list-style-type: none"> <li>• Service</li> </ul>
Door frame and Gasket <ul style="list-style-type: none"> <li>• Check the integrity status of the door frame and door gasket.</li> <li>• Check the cleanliness of the door frame and door gasket.</li> <li>• Replace in case broken.</li> </ul>	<ul style="list-style-type: none"> <li>• Monthly</li> </ul>	<ul style="list-style-type: none"> <li>• Operator</li> </ul>
Control <ul style="list-style-type: none"> <li>• check the mechanical parts, for cracks or deformations, tightening of screws: check the readability and condition of words, stickers and symbols and restore if necessary</li> </ul>	<ul style="list-style-type: none"> <li>• Yearly</li> </ul>	<ul style="list-style-type: none"> <li>• Service</li> </ul>
Appliance structure <ul style="list-style-type: none"> <li>• tightening of main bolts (screws, fixing systems, etc.) of appliance</li> </ul>	<ul style="list-style-type: none"> <li>• Yearly</li> </ul>	<ul style="list-style-type: none"> <li>• Service</li> </ul>
Safety signs <ul style="list-style-type: none"> <li>• check the readability and condition of safety signs</li> </ul>	<ul style="list-style-type: none"> <li>• Yearly</li> </ul>	<ul style="list-style-type: none"> <li>• Service</li> </ul>
Electrical control panel <ul style="list-style-type: none"> <li>• check the electrical components installed inside the electrical control panel. Check the wiring between the electrical panel and appliance parts</li> </ul>	<ul style="list-style-type: none"> <li>• Yearly</li> </ul>	<ul style="list-style-type: none"> <li>• Service</li> </ul>
Electrical connection cable <ul style="list-style-type: none"> <li>• check the connection cable (replace if necessary)</li> </ul>	<ul style="list-style-type: none"> <li>• Yearly</li> </ul>	<ul style="list-style-type: none"> <li>• Service</li> </ul>
General appliance overhaul <ul style="list-style-type: none"> <li>• check all components, electrical equipment, corrosion, pipes...</li> </ul>	Every 10 years <sup>1</sup>	<ul style="list-style-type: none"> <li>• Service</li> </ul>

1. The appliance is designed and built for a duration of about 10 years. After this period of time (from commissioning) the appliance must undergo a general inspection and overhaul.

## A.27 Appliance disposal

- Make the appliance unusable by removing the power cable and any compartment closing devices, to prevent the possibility of someone becoming trapped inside.

## B GENERAL INFORMATION

### B.1 Intended use and restrictions

This appliance is designed for the refrigeration and preservation of foods. Do not use the appliance to store bottles: the inside racks are not suitable for this type of use.

Any other use is deemed improper.



#### NOTE!

The manufacturer declines any liability for improper use of the product.

### B.2 Copyright

This manual is intended solely for consultation by the operator and can only be given to third parties with the permission of Electrolux Professional SpA company.

### B.3 Responsibility

**The Manufacturer declines any liability for damage and malfunctioning caused by:**

- non-compliance with the instructions contained in this manual;
- arbitrary modifications and conversions carried out by the user or the Customer.

## C INSTALLATION AND ASSEMBLY



### IMPORTANT

For detailed information regarding installation and assembly refer to the complete manual on the web site.

### C.1 Introduction



### WARNING

Refer to “*Warning and Safety Information*”.

To ensure correct operation of the appliance and maintain safe conditions during use, carefully follow the instructions given in this chapter.

Check and, if necessary, level the appliance after positioning. Incorrect levelling can cause appliance malfunctioning.



### CAUTION

Before moving the appliance make sure the load bearing capacity of the lifting equipment used is suitable for its weight.



### NOTE!

Appliances with incorporated refrigerating unit must be handled upright. If the appliance is handled in a horizontal position, make sure to wait a few hours in upright position before making it operational.



### CAUTION

- Install the appliance in a ventilated place, away from heat sources such as radiators or air conditioning systems, to allow correct cooling of the refrigerating unit components.
- Never cover the condenser, even temporarily, as this can compromise its proper operation and therefore that of the appliance.
- The appliance must be taken to the place of installation and removed from the packing base only when being installed.

### C.2 Positioning

Install the appliance, taking all the safety precautions required for this type of operation, also respecting the relevant fire-prevention instructions.

If the appliance is installed in a place where there are corrosive substances (chlorine, etc.), it is advisable to go over all the stainless steel surfaces with a rag soaked in paraffin oil to create a protective film.

Arranging the appliance:

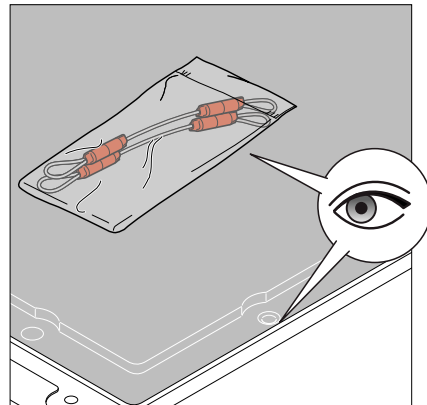
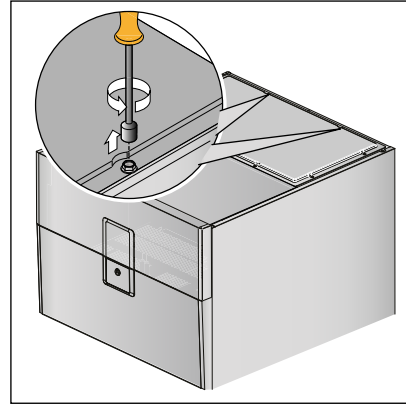
- position the appliance in the required place;
- adjust the height and levelling with the adjustment feet, also checking correct door closing.

### C.3 Fitting anti-tipping cables on the appliance

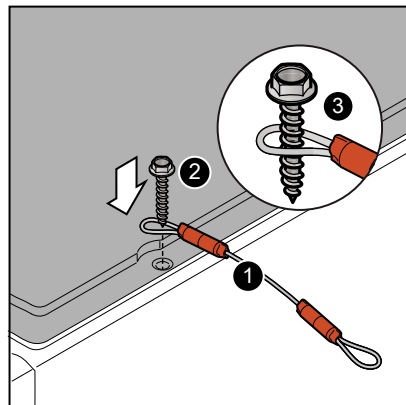
When installing the appliance, make sure to fix the anti-tipping cables to it. To fit, proceed as follows:

#### 600 mm models

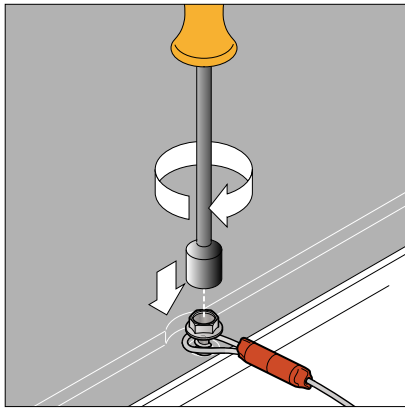
1. undo the two hex screws positioned on the roof of the machine, as shown in the figure, and remove the cables from their packing:



2. join a slot of the cable to the hex screw, as shown in the figure:



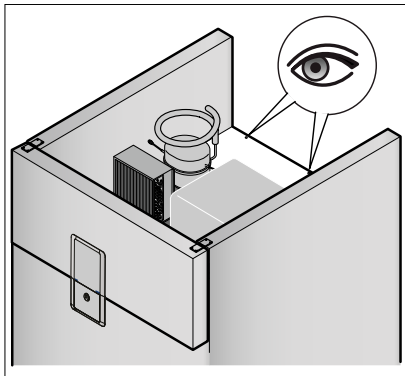
3. retighten the screw complete with the cable on the roof of the appliance.



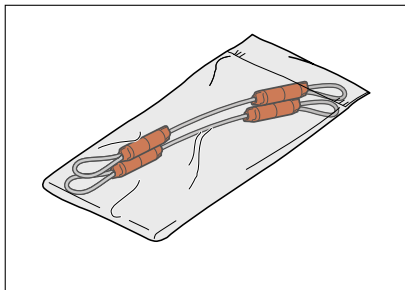
4. the cable, must then be fixed to the wall using a plug, to permanently secure the appliance.
5. Repeat the same operation also with the other cable.

### 900 mm models

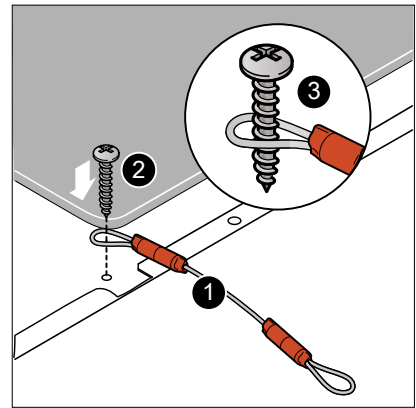
1. there are 2 holes on the roof of the machine, at the areas shown in the following figure:



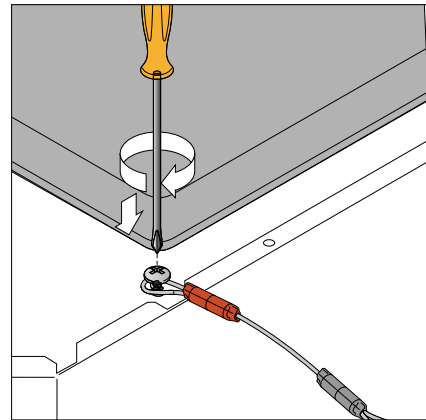
2. remove the cables from their packing:



3. join a slot of the cable to one of the two screws supplied with the machine, as shown below:



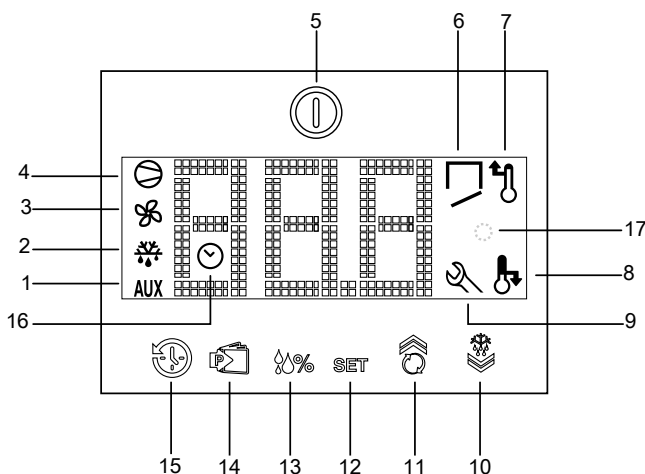
4. retighten the screw complete with the cable on the roof of the appliance:



5. the cable, must then be fixed to the wall using a plug, to permanently secure the appliance.

## D CONTROL PANEL

### D.1 Control Panel description



1	Auxiliary users on signalling icon
2	Defrost cycle activated signalling icon
3	Compartment fans on signalling icon
4	Compressor on signalling icon
5	ON/OFF button
6	Door Open alarm signalling icon
7	High temperature alarm signalling icon
8	Low temperature alarm signalling icon
9	Assistance alarm signalling icon
10	Down and Defrost button for activating manual defrost and decreasing the values.
11	UP/Continuous Cycle button for increasing the values and activating turbo cooling cycle.
12	Set button

<b>13</b>	High/low humidity button to set 3 different humidity levels: <sup>1</sup> <ul style="list-style-type: none"> <li>• low humidity</li> <li>• medium humidity</li> <li>• high humidity</li> </ul>
<b>14</b>	Programme selection button
<b>15</b>	History button

<b>16</b>	History function on signalling icon
<b>17</b>	Reset alarm button Alarms can be silenced by pressing on the button or by pressing on the lit icon (depending on the model).

1. refrigerated models only

## E TROUBLESHOOTING

### E.1 Anomalies

In case of anomaly, the appliance always displays a warning message or alarm describing the occurring fault. The corresponding icon remains visible until the problem is resolved.



Alarms signalling icon



NOTE!

The appliance PNC and serial number are essential for identifying the type of appliance and date of manufacture.

**For the alarms/warnings list and troubleshooting see the complete user manual in the web site; if required, contact the Customer Care Service.**



CE