

# ALPENINOX

## Cold Rooms 163x203 (-18/-20) - Remote Unit

ITEM # \_\_\_\_\_

MODEL # \_\_\_\_\_

NAME # \_\_\_\_\_

SIS # \_\_\_\_\_

AIA # \_\_\_\_\_



102316 (NSEC867XRN)

Cold/freezer room 1630x2030  
th.100mm, remote unit 1,70  
hp

### Short Form Specification

#### Item No. \_\_\_\_\_

Usable volume: 6.7 m<sup>3</sup>. Panel insulation in cyclopentane (100mm thickness), with injected polyurethane foam, CFC and HCFC free. Wall and internal ceiling surfaces made of galvanized plastified steel with 120 micron nontoxic pvc coating. Internal floor in non-slip, plastic coated, galvanized steel sheet. Fast-fit centering system using new fasteners made of high resistant composite material. Rounded internal and external corners. Self-closing right-hinged door with magnetic door-gaskets; handle with lock and interior safety release. Internal lighting. Remote refrigeration unit for operation in ambient temperatures up to +43°C. Refrigerant R452a. Defrosting through heated gas with automatic re-evaporation of defrosting water. Control panel with: ON/OFF switch, internal lighting switch and digital control with HACCP and failure alarms.

### Main Features

- Anti-slip walk-in floor.
- Rounded internal and external corners; all edges are radiused.
- Fast-fit centering system allows perfect alignment of the panels. These new fasteners are made of high resistant composite materials and guarantee perfect grip of all components.
- Conform to ruling European safety and hygiene standards and CE marked.
- HACCP monitoring is possible through a serial port supplied on all models.
- Equipped with internal lighting (waterproof IP54) mounted on the refrigerating unit panel.
- Floor surface on which the cold room will be placed should be levelled if presenting irregularities or unevenness up to 1 cm.
- Control panel includes: luminous ON/OFF switch, internal light switch, cold room functioning indicator, defrost cycle indicator, temperature and thermostat control with digital display.
- New vacuum injection technology allows significant and enhanced performances and higher quality.
- Airtight panels connection, all sides of panels have PVC gasket foamed in place to assure airtight and secure fitting; any other sealing between panels on site is eliminated.
- Defrosting through heated gas with re-evaporation of defrosting water permits to reduce the total power installed, shorten defrosting time and limit the warming of the cold room.
- Right-hinged door is available as standard (left-hinged door on request) and constructed with smooth rounded profiles, cam-lift action hinges, airtight magnetic gasket and high insulation thus allowing to reduce energy and operating costs.
- Newly designed handle complete with lock and interior safety release to prevent entrapment when the door is accidentally locked from outside.
- Very short assembly time. Expert refrigeration knowledge is not required for installation.

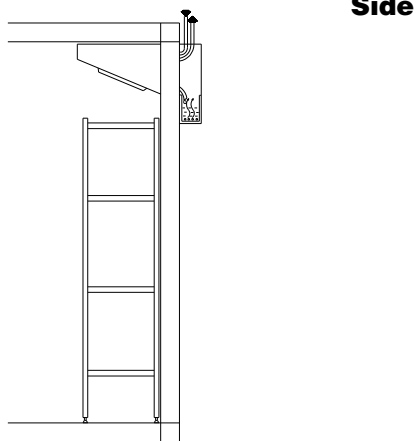
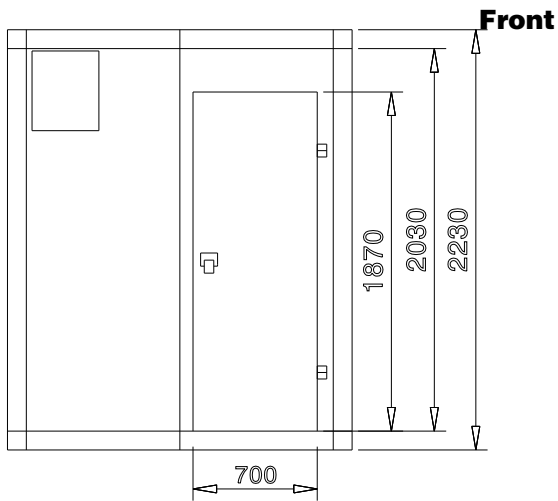
### Construction

- Panels are clad inside and outside with anti-scratch galvanized plastified steel with 120 micron nontoxic pvc coating, polyurethane foam insulation, CFC and HCFC free.
- Whenever the cold room door is opened the microswitch switches on automatically the internal light and turns off the cooling fan.
- Split remote unit provided with 6m of precharged pipe.

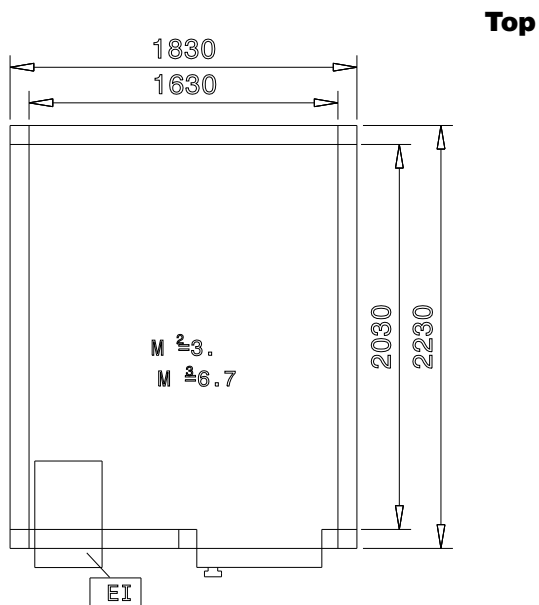
APPROVAL: \_\_\_\_\_

### Optional Accessories

- Kit for HACCP advanced connection for cold rooms  PNC 102021
- Graphic temperature recorder  PNC 102025
- Plastic curtain for 65cm door clearance  PNC 102027
- Datalogger cold room  PNC 102030
- Door microswitch  PNC 102441
- Shelving set, composed of aluminium uprights and 4 polyethylene louvered shelves, for 1630x2030 mm cold rooms, 2300 kg load  PNC 137092



EI = Electrical inlet (power)



### Electric

Supply voltage:	
102316 (NSEC867XRN)	230 V/1N ph/50 Hz
Total Watts:	1.4 kW

### Key Information:

External dimensions, Width:	1830 mm
External dimensions, Height:	2230 mm
External dimensions, Depth:	2230 mm
Internal Dimensions (width):	1630 mm
Weight Packaging:	297.5 kg
Weight Packaging (2):	85 kg
Package 1 type:	Pallet
Package 2 type:	Case
Package 1 contents:	Cold room panels
Package 2 contents:	