

ALPENINOX

Crio Tech 2 Door Digital Freezer, 1430lt (-22/-15) - R290

ITEM # _____

MODEL # _____

NAME # _____

SIS # _____

AIA # _____



728696 (CTE142FFC)

2-door freezer 1430L, -22-15°
C, (R290), digital, AISI 304

Short Form Specification

Item No. _____

Two full door freezer entirely constructed in 304 AISI stainless steel with bottom panel in anti-corrosive material. Large digital white-digit display with cabinet temperature display and setting. HACCP-compliant control with alarms and history. IQ Defrost to defrost only when required with automatic evaporation of defrost water. Airflow System: back to front forced air flow and removable air conveyors provide even temperature distribution and fast cooling in any conditions. Fitted with 75 mm-thick cyclopentane insulating foam. Door features lock and door microswitch to switch off the fan when the door is opened. Hidden evaporator to guarantee higher storage capacity and less corrosion problems. Built-in refrigeration unit; ventilated operation; Internal LED light. CFC and HCFC free. R290 gas in refrigeration circuit. Prearranged to fit RS485 port to facilitate connection to a remote computer and integrated HACCP systems.

Main Features

- Freezer model has operating temperatures that can be adjusted from -22 to -15 °C.
- Large storage area suitable to contain 2/1 GN grids or shelves on anti-tilt runners.
- Cabinet fitted with up to 75 mm thickness of cyclopentane insulation for best insulating performance with 100% environmental protection (thermal conductivity: 0,020 W/m*K).
- 60 mm-thick insulation covering the evaporator can be easily removed with a single operation.
- Large digital white-digit display with cabinet temperature display and setting, activation of turbo frost cycle (to rapidly cool warm loads) and possibility to activate manually the defrost cycle.
- Prearranged to fit RS485 port to facilitate connection to a remote computer and integrated HACCP systems.
- Airflow: back to front forced air flow and removable air conveyors provide even temperature distribution and fast cooling in any conditions.
- IQ Defrost: fully automatic defrost starts only when ice is actually building-up in the evaporator.
- Connectivity ready for real time access to connected appliances from remote and data monitoring (requires optional accessory).
- Internal structure with 44 charging positions available to host grids, ensuring higher net capacity and a greater storage space.
- Possibility to select 3 different levels of humidity according with the type of food stored inside.

APPROVAL: _____

Construction

- Interior base with rounded corners, pressed from a single sheet.
- Constructed from the highest quality AISI 304 Stainless steel.
- Easy access to the main components for maintenance.
- Stainless steel runners and supports easily disassembled.
- The rounded internal corners, the easily removable runners, grids and air conveyors allow for ease of cleaning and high hygiene standards.
- Anti-corrosion bottom avoids any damage that may be caused to the cabinet by aggressive detergents employed to clean the floors.
- Lockable door.

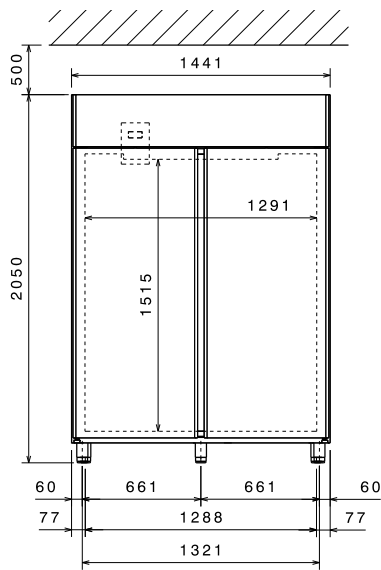
Included Accessories

- 6 of AISI 304 stainless steel grid with 2 PNC 881018 runners, 2/1GN

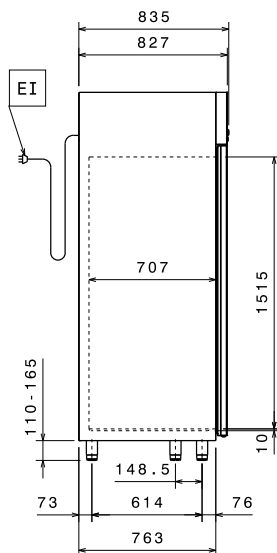
Optional Accessories

- | | | |
|--|------------|--------------------------|
| • 2 stainless steel runners for refrigerated cabinets - (Marine) | PNC 880242 | <input type="checkbox"/> |
| • 1/1GN set of 8 PVC containers for fish | PNC 880243 | <input type="checkbox"/> |
| • Spacer for 670L and 1430L refrigerated cabinets | PNC 880248 | <input type="checkbox"/> |
| • Kit to fit 20 pastry trays (400x600mm) | PNC 880333 | <input type="checkbox"/> |
| • Kit of 6 swivelling wheels (2 with brake), diam 50mm | PNC 880340 | <input type="checkbox"/> |
| • Plastic container with false bottom, 1/1GN | PNC 880705 | <input type="checkbox"/> |
| • 2/1GN gray rilsan grid | PNC 881004 | <input type="checkbox"/> |
| • AISI 304 stainless steel grid, 2/1GN | PNC 881016 | <input type="checkbox"/> |
| • AISI 304 stainless steel grid with 2 runners, 2/1GN | PNC 881018 | <input type="checkbox"/> |
| • 2/1GN gray rilsan grid with 2 runners | PNC 881020 | <input type="checkbox"/> |
| • Set of 2 stainless steel runners for 670/1430L refrigerators and freezers | PNC 881021 | <input type="checkbox"/> |
| • Pedal opening for 1430L refrigerators | PNC 881033 | <input type="checkbox"/> |
| • PVC container with lid and 2 runners, 2/1GN | PNC 881039 | <input type="checkbox"/> |
| • 2/1GN perforated shelf | PNC 881042 | <input type="checkbox"/> |
| • 1/1GN rilsan steel wire basket h150mm | PNC 881043 | <input type="checkbox"/> |
| • 3 gray rilsan central grids for 1430L (not for glass door) | PNC 881044 | <input type="checkbox"/> |
| • 2/1GN gray rilsan basket + 2 runners h150mm | PNC 881047 | <input type="checkbox"/> |
| • 5 swivelling wheels (2 with brake), diam 125mm, for 1430 lt refrigerators, NOT for remote models | PNC 881294 | <input type="checkbox"/> |

Front

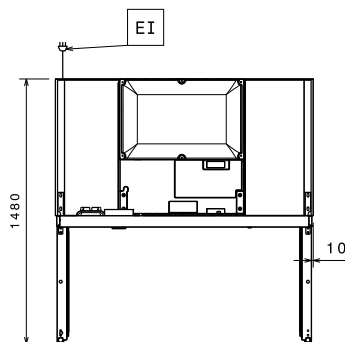


Side



EI = Electrical inlet (power)

Top



Electric

Supply voltage:	728696 (CTE142FFC)	220-240 V/1 ph/50 Hz
Electrical power max.:		0.8 kW

Key Information:

Gross capacity:	1430 lt
Net Volume:	1135 lt
N° of doors:	2
Door hinges:	1 Left+1 Right
External dimensions, Width:	1441 mm
External dimensions, Depth:	835 mm
External dimensions, Depth with Doors Open:	1480 mm
External dimensions, Height:	2050 mm
Number and type of grids (included):	6 - GN 2/1
Type of external material:	304 AISI
Type of internal material:	304 AISI
Internal panels material:	304 AISI
Number of positions & pitch:	44; 30 mm

Refrigeration Data

Control type:	Digital
Compressor power:	1 hp
Refrigeration power at evaporation temperature:	-30 °C
Operating temperature min.:	-22 °C
Operating temperature max.:	-15 °C
Operating mode:	Ventilated
Cooling unit:	Built-In
Defrost type:	Electric

Product Information (EU Regulation 2015/1094)

Type of model (EU Reg. 2015/1094):	vertical frozen
------------------------------------	-----------------

Sustainability

Energy Class (EU Reg. 2015/1094):	D
Yearly and daily energy consumption (EU Reg. 2015/1094):	4314kWh/year - 12kWh/24h
Climate class (EU Reg. 2015/1094):	Heavy Duty (5)
Energy Efficiency Index-EEI (EU Reg. 2015/1094):	61,05
Refrigerant type:	R290
GWP Index:	3
Refrigeration power:	833 W
Refrigerant weight:	145 g

EU energy labelling from 1st July 2016

The European energy labelling scheme for professional refrigerators and freezers is based on requirements setting Minimum Energy Performance standards for commercial refrigeration cabinets sold within the EU. These requirements are designed to drive energy efficiency and environmentally friendly approach for professionals. The European energy labelling scheme will apply to all manufacturers and importers who sell and market products within the EU and it is mandatory across Europe. Important: all products which consume energy above the minimum level will not be able to be sold within the EU from 1 July 2016.

SI 2020 No. 1528.

Important: all products which consume energy above the minimum level will not be able to be sold within the EU from 1 July 2016.

