

# ALPENINOX

## Crio Smart 2 Door Digital Freezer, 1430lt (-22/-15)

ITEM # \_\_\_\_\_

MODEL # \_\_\_\_\_

NAME # \_\_\_\_\_

SIS # \_\_\_\_\_

AIA # \_\_\_\_\_



729054 (ARX142FF)

2-door freezer 1430lt, -22-15°  
C, digital, AISI 304

### Short Form Specification

#### Item No.

Two full doors freezer with internal and external structure in 304 AISI stainless steel; external back panel in galvanized steel and bottom panel in anti-corrosive material. Digital control with cabinet temperature display and setting and manual activation of defrost cycle. Fully compliant HACCP digital controls include visible alarms. Optimized back to front forced air flow provides even temperature distribution and fast cooling in any conditions. Fitted with 75 mm-thick cyclopentane insulating foam. Door features lock and door microswitch to switch off the fan when the door is opened. Hidden evaporator to guarantee higher storage capacity and less corrosion problems. Built-in refrigeration unit; ventilated operation; automatic defrost and evaporation of defrost water. For ambient temperatures up to 43 °C. CFC and HCFC free. R404a gas in refrigeration circuit.

Supplied with n. 6x2/1GN Rilsan coated grids and n. 6 sets of 2 stainless steel grid runners. Certified as Class 6 by CECED Italia energy classification.

### Main Features

- Two full doors.
- Digital control with cabinet temperature display and setting and manual activation of defrost cycle. Fully compliant HACCP digital controls include visible alarms.
- Large storage area suitable to contain 2/1 GN grids or shelves on anti-tilt runners.
- Optimized back to front forced air flow provide even temperature distribution and fast cooling in any conditions.
- Automatic defrost.
- Internal structure with numerous charging positions available to host grids, ensuring higher net capacity and a greater storage space.
- Cabinet fitted with up to 75 mm thickness of cyclopentane insulation for best insulating performance with 100% environmental protection (thermal conductivity: 0,020 W/m\*K).
- Removable triple-chamber balloon magnetic gasket to improve insulation and reduce energy consumption and ease of cleaning.
- Automatic evaporation of the defrosting water by hot gas on the top for energy saving.
- 60 mm-thick insulation covering the evaporator can be easily removed with a single operation.
- Rilsan coated grids for improved protection.
- Hidden evaporator thus guaranteeing higher storage capacity and less corrosion problems.
- Freezer model has operating temperatures that can be adjusted from -22 to -15 °C.
- Tropicalized unit (43°C ambient temperature).
- This appliance is intended for use in ambient temperatures up to 40°C.

APPROVAL: \_\_\_\_\_

## Construction

- Constructed from the highest quality AISI 304 Stainless steel.
- Interior base with rounded corners, pressed from a single sheet.
- Stainless steel runners and supports easily disassembled.
- Anti-corrosion bottom avoids any damage that may be caused to the cabinet by aggressive detergents employed to clean the floors.
- Easy access to the main components for maintenance.
- Lockable door.
- Door switch stops the fan when door is opened to avoid cold air exiting the cell, thus saving energy.
- Refrigerant type: R404a.
- CFC and HCFC-free insulation.
- Doors are self-closing and can be fully opened up to 180°.
- Mounted on adjustable Stainless steel feet, with castors as an option.
- The rounded internal corners, the easily removable runners and grids allow for ease of cleaning and high hygiene standards.

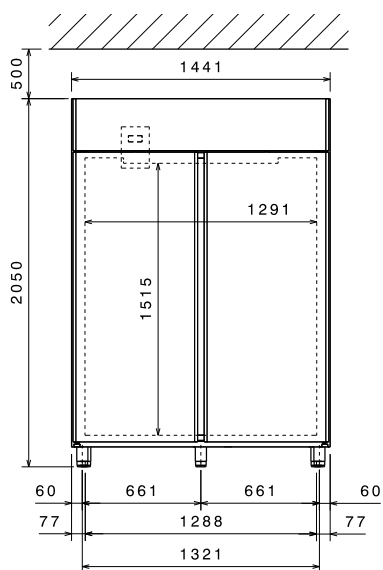
## Included Accessories

- 6 of 2/1GN gray rilsan grid with 2 runners PNC 881020

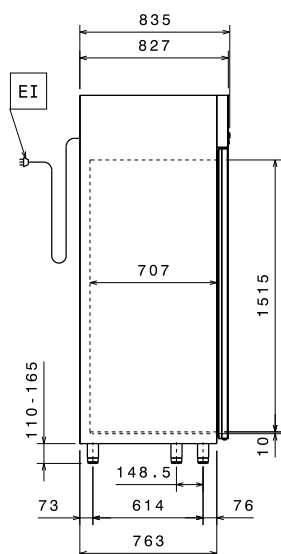
## Optional Accessories

- 2 stainless steel runners for refrigerated cabinets - (Marine) PNC 880242
- 1/1GN set of 8 PVC containers for fish PNC 880243
- Spacer for 670L and 1430L refrigerated cabinets PNC 880248
- Kit integrated HACCP for digital refrigerators (IR33) PNC 880252
- Kit to fit 20 pastry trays (400x600mm) PNC 880333
- Kit of 6 swivelling wheels (2 with brake), diam 50mm PNC 880340
- Plastic container with false bottom, 1/1GN PNC 880705
- 4 swivelling wheels (2 with brake) for refrigerators, diam 125mm, NOT for glass door and remote models PNC 881002
- 2/1GN gray rilsan grid PNC 881004
- AISI 304 stainless steel grid, 2/1GN PNC 881016
- AISI 304 stainless steel grid with 2 runners, 2/1GN PNC 881018
- 2/1GN gray rilsan grid with 2 runners PNC 881020
- Set of 2 stainless steel runners for 670/1430L refrigerators and freezers PNC 881021
- Pedal opening for 1430L refrigerators PNC 881033
- PVC container with lid and 2 runners, 2/1GN PNC 881039
- 2/1GN perforated shelf PNC 881042
- 1/1GN rilsan steel wire basket h150mm PNC 881043
- 3 gray rilsan central grids for 1430L (not for glass door) PNC 881044
- 2/1GN gray rilsan basket + 2 runners h150mm PNC 881047
- KIT HACCP EKIS PNC 922166

**Front**

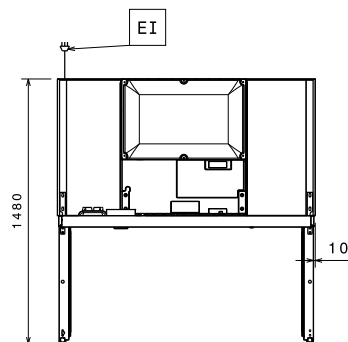


**Side**



EI = Electrical inlet (power)

**Top**



### Electric

Supply voltage:	729054 (ARX142FF)	220-230 V/1 ph/50 Hz
Electrical power max.:		0.83 kW
Defrost Power:		0.5 kW
Current consumption:		4.9 Amps
Plug type:		CE-SCHUKO
Energy consumption (min,default):		0 - 0 kW/h

### Key Information:

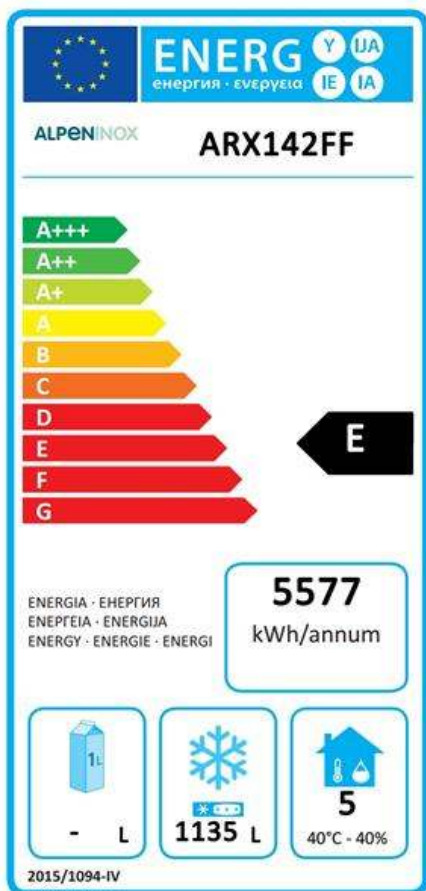
Gross capacity:	1430 lt
Net Volume:	1135 lt
Door hinges:	
External dimensions, Width:	1441 mm
External dimensions, Height:	2050 mm
External dimensions, Depth:	835 mm
Number and type of doors:	2 Full
Internal Dimensions (depth):	707 mm
Internal Dimensions (height):	1515 mm
Internal Dimensions (width):	1291 mm
Net weight:	210 kg
Shipping volume:	2.82 m <sup>3</sup>
Height adjustment:	0/0 mm
Number and type of grids (included):	6 - GN 2/1

### Refrigeration Data

Control type:	Digital
Compressor power:	1 1/4 hp
Refrigerant type:	R404A
GWP Index:	3922
Refrigeration power:	751 W
Refrigeration power at evaporation temperature:	-30 °C
Refrigerant weight:	290 g
Min/Max internal humidity:	
Operating temperature min.:	-22 °C
Operating temperature max.:	-15 °C
Operating mode:	Ventilated

### Product Information (EU Regulation 2015/1094)

Energy Class:	E
Yearly and daily energy consumption:	5577kWh/year - 15kWh/24h
Climate class:	Heavy Duty (5)
Energy Efficiency Index (EEI):	78,93
Type of model:	vertical frozen



### EU energy labelling from 1st July 2016

The European energy labelling scheme for professional refrigerators and freezers is based on requirements setting Minimum Energy Performance standards for commercial refrigeration cabinets sold within the EU. These requirements are designed to drive energy efficiency and environmentally friendly approach for professionals. The European energy labelling scheme will apply to all manufacturers and importers who sell and market products within the EU and it is mandatory across Europe.

Important: all products which consume energy above the minimum level will not be able to be sold within the EU from 1 July 2016.