

ALPENINOX

Pastry and Bakery Line 2 Door Refrigerated Counter, -2°/+7°C, 600X400 grid

ITEM # _____

MODEL # _____

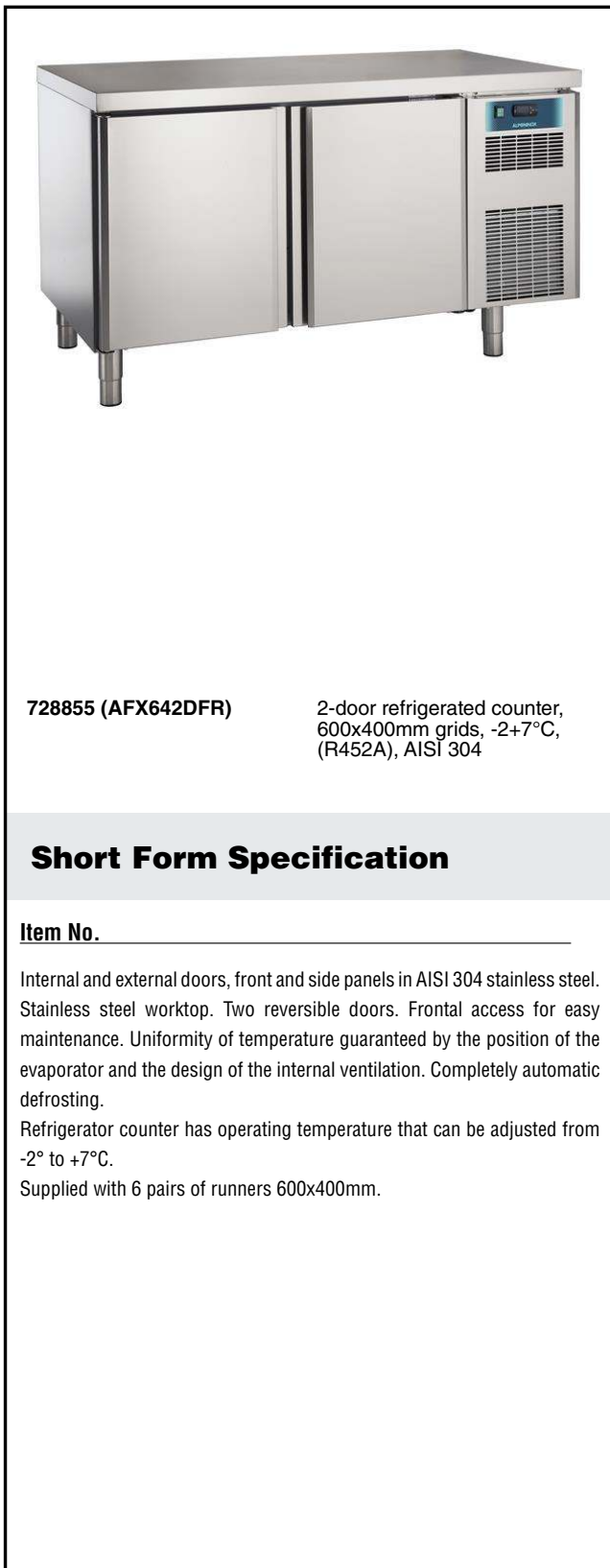
NAME # _____

SIS # _____

AIA # _____

ALPENINOX

2 Door Refrigerated Counter, -2°/+7°C, 600X400 grid
Pastry and Bakery Line



Main Features

- Frontal access for easy maintenance.
- Pressed stainless steel door handle without joints gathering dust and dirt.
- Completely automatic defrosting.
- Automatic evaporation of the defrosting water by heating element.
- Adjustable temperature range from -2°C to +7°C.
- Suitable for use in ambient temperature of up to 40°C (climatic class 5).
- Large digital digit display with cabinet temperature display and setting.
- Internal runners removable without any tools for faster cleaning operations.

Construction

- On site reversible left/right doors.
- 2 compartments with 2 doors.
- Stainless steel AISI 304 inside and outside (except background).
- Insulation thickness: 50 mm wall insulation.
- The position of the evaporator and the design of the internal ventilation facilitate the uniformity of the temperature.
- Environmentally friendly: R452a as refrigerant gas.

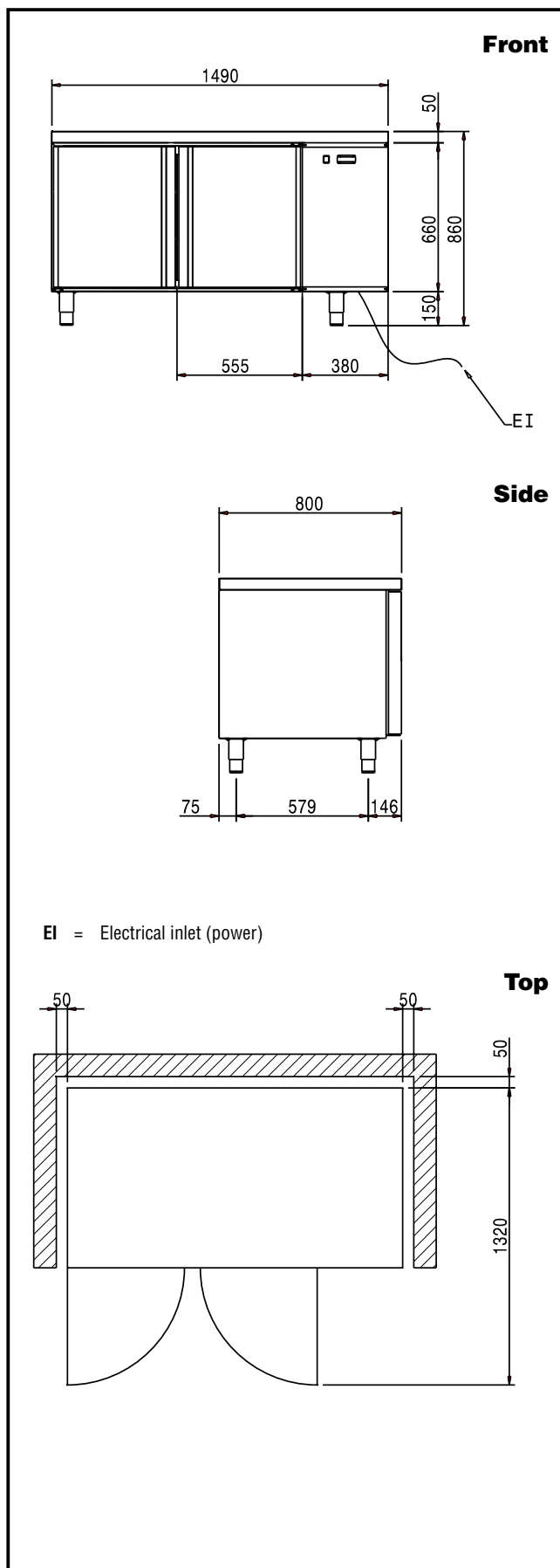
Included Accessories

- 6 of Pair of L runner, 600x400mm PNC 728874

Optional Accessories

- Pair of L runner, 600x400mm PNC 728874
- Stainless steel grid, 600x400mm for pastry counters PNC 728876

APPROVAL: _____



Electric

Supply voltage:

728855 (AFX642DFR) 230 V/1N ph/50 Hz

Electrical power max.:

0.28 kW

Key Information:

Gross capacity:	340 lt
N° of doors:	2
Door hinges:	2 Right
External dimensions, Width:	1490 mm
External dimensions, Height:	860 mm
External dimensions, Depth:	800 mm
External dimensions, Depth with Doors Open:	1320 mm
Type of external material:	Stainless Steel AISI 304 Scotch Brite
Type of internal material:	304 AISI
Internal side panels material:	304 AISI

Refrigeration Data

Control type:	Digital
Refrigerant type:	R452A
Refrigeration power at evaporation temperature:	-10 °C
Operating temperature min.:	-2 °C
Operating temperature max.:	7 °C

Product Information (EU Regulation 2015/1094)

Type of model: counter chilled