

Crio Smart 2 Half Door Dual Digital Refrigerator, 670lt (-2/-22) - Remote

ITEM # _____

MODEL # _____

NAME # _____

SIS # _____

AIA # _____



729125 (ARX71FRFR)

2-half door, dual temperature refrigerator 670lt, -22-2°C, digital, AISI 304, remote

Short Form Specification

Item No.

Two half door refrigerator with internal and external structure in 304 AISI stainless steel; external back panel in galvanized steel and bottom panel in anti-corrosive material. Digital control with cabinet temperature display and setting and manual activation of defrost cycle. Fully compliant HACCP digital controls include visible alarms. Optimized back to front forced air flow provides even temperature distribution and fast cooling in any conditions. Fitted with 75 mm-thick cyclopentane insulating foam. On-site reversible door features lock and door microswitch to switch off the fan when the door is opened. Hidden evaporator to guarantee higher storage capacity and less corrosion problems. Remote refrigeration unit; ventilated operation; automatic defrost and evaporation of defrost water. Dual operating temperature: -2/+10°C -15/-22°C. For ambient temperatures up to 43 °C. CFC and HCFC free. R134a and R404a gas in refrigeration circuit. Supplied with n. 3x2/1GN Rilsan coated grids and n. 3 sets of 2 stainless steel grid runners.

APPROVAL: _____

Main Features

- Right hinged two 1/2 doors.
- Digital control with cabinet temperature display and setting and manual activation of defrost cycle. Fully compliant HACCP digital controls include visible alarms.
- Large storage area suitable to contain 2/1 GN grids or shelves on anti-tilt runners.
- Optimized back to front forced air flow provide even temperature distribution and fast cooling in any conditions.
- Automatic defrost.
- Internal structure with numerous charging positions available to host grids, ensuring higher net capacity and a greater storage space.
- Cabinet fitted with up to 75 mm thickness of cyclopentane insulation for best insulating performance with 100% environmental protection (thermal conductivity: 0,020 W/m*K).
- Removable triple-chamber balloon magnetic gasket to improve insulation and reduce energy consumption and ease of cleaning.
- 60 mm-thick insulation covering the evaporator can be easily removed with a single operation.
- Rilsan coated grids for improved protection.
- Hidden evaporator thus guaranteeing higher storage capacity and less corrosion problems.
- Dual temperature type: -2 +10 °C/-15 -22 °C.
- 3-sensor core probe as standard and automatic detection of the core probe insertion.

Construction

- Constructed from the highest quality AISI 304 Stainless steel.
- Interior base with rounded corners, pressed from a single sheet.
- Stainless steel runners and supports easily disassembled.
- Anti-corrosion bottom avoids any damage that may be caused to the cabinet by aggressive detergents employed to clean the floors.
- Easy access to the main components for maintenance.
- Lockable door.
- Door switch stops the fan when door is opened to avoid cold air exiting the cell, thus saving energy.
- CFC and HCFC-free insulation.
- Mounted on adjustable Stainless steel feet, with castors as an option.
- Doors are self-closing and can be fully opened up to 180°.
- The rounded internal corners, the easily removable runners and grids allow for ease of cleaning and high hygiene standards.
- Remote refrigeration unit.

- Refrigerant type: R404a.

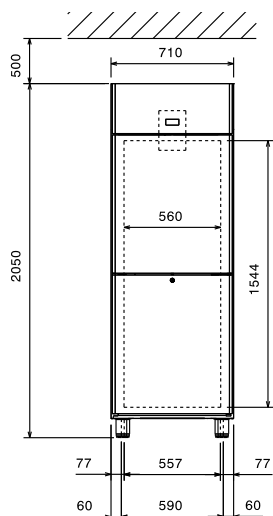
Included Accessories

- 3 of 2/1GN gray rilsan grid with 2 runners PNC 881020

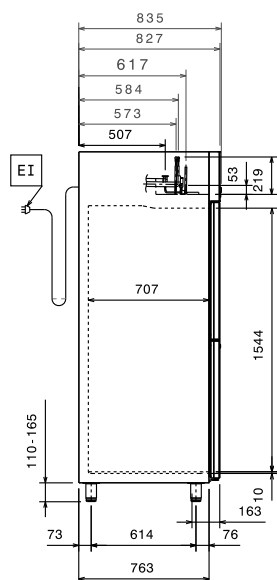
Optional Accessories

- 2 stainless steel runners for refrigerated cabinets - (Marine) PNC 880242
- 1/1GN set of 8 PVC containers for fish PNC 880243
- Spacer for 670L and 1430L refrigerated cabinets PNC 880248
- Pair of runners for 2/1GN grids, for prostore cabinets PNC 880320
- Plastic coated grid (700x530) PNC 880322
- Stainless steel grid (700x530) PNC 880323
- Pedal opening for cabinets PNC 880324
- Kit 4 feet, height 200mm PNC 880325
- Kit of 4 feet-h=67 (marine) PNC 880326
- Kit pair of runners (marine) PNC 880327
- Plastic container with false bottom, 1/1GN PNC 880705
- 2/1GN gray rilsan grid PNC 881004
- AISI 304 stainless steel grid, 2/1GN PNC 881016
- AISI 304 stainless steel grid with 2 runners, 2/1GN PNC 881018
- 2/1GN gray rilsan grid with 2 runners PNC 881020
- Set of 2 stainless steel runners for 670/1430L refrigerators and freezers PNC 881021
- PVC container with lid and 2 runners, 2/1GN PNC 881039
- 2/1GN perforated shelf PNC 881042
- 1/1GN rilsan steel wire basket h150mm PNC 881043
- 2/1GN gray rilsan basket + 2 runners h150mm PNC 881047

Front



Side

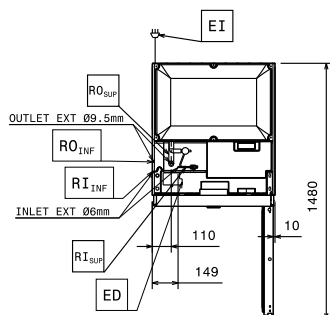


EI = Electrical inlet (power)

RI = Refrigerant Inlet

RO = Refrigerant Outlet

Top



Electric

Supply voltage:	729125 (ARX71FRFR)	220-240 V/1 ph/50/60 Hz
Electrical power max.:		0.29 kW
Defrost Power:		0.17 kW
Current consumption:		
Plug type:		CE-SCHUKO
Energy consumption (min,default):		0 - 0 kW/h

Key Information:

Gross capacity:	670 lt
Net Volume:	
Door hinges:	
External dimensions, Width:	710 mm
External dimensions, Height:	2050 mm
External dimensions, Depth:	835 mm
Number and type of doors:	2x1/2 Full
Internal Dimensions (depth):	707 mm
Internal Dimensions (height):	
Internal Dimensions (width):	560 mm
Net weight:	102 kg
Shipping volume:	1.41 m ³
Height adjustment:	20/35 mm
Number and type of grids (included):	3 - GN 2/1

Refrigeration Data

Control type:	Digital
Compressor power:	
Refrigerant type:	R404A
GWP Index:	3922
Refrigeration power:	0 W
Refrigeration power at evaporation temperature:	-10 °C
Refrigerant weight:	0 g
Min/Max internal humidity:	
Operating temperature min.:	-2 °C
Operating temperature max.:	10 °C
Refrigeration type:	R404A;R452A
Operating mode:	Ventilated
Suggested refrigeration power:	278 W
Condition at evaporation temperature:	-10 °C
Condition at condensation temperature:	55 °C
Condition at ambient temperature:	32 °C
Connection pipes (remote) - outlet:	9.5 mm
Connection pipes (remote) - inlet:	6 mm

Product Information (EU Regulation 2015/1094)

Crio Smart
2 Half Door Dual Digital Refrigerator, 670lt (-2/-22) - Remote

The company reserves the right to make modifications to the products without prior notice. All information correct at time of printing.

Energy Class:

Yearly and daily energy consumption:

Climate class:

Energy Efficiency Index (EEI):



**Crio Smart
2 Half Door Dual Digital Refrigerator, 670lt (-2/-22) - Remote**

The company reserves the right to make modifications to the products without prior notice. All information correct at time of printing.

2020.12.04