

400 Line 400lt Line Refrigerator, 1 Glass Door (White) 60Hz

ITEM # _____

MODEL # _____

NAME # _____

SIS # _____

AIA # _____



730106 (R04PVGW6)

1-glass door refrigerator 400lt,
0+10°C, prepainted white -
60Hz

Short Form Specification

Item No. _____

Exterior in white painted steel. Interior in white High Impact Polystyrene with rounded corners and 45mm thick insulation. Right hinged glass door with lock, reversible on-site. Built-in refrigeration unit; ventilated operating mode; automatic defrost and evaporation of defrost water; digital control and temperature display; internal lighting. For ambient temperatures up to 32 °C. HCFC, CFC and HFC free insulation and R134a refrigerant gas. Supplied with n. 4 grids 600x400mm, PE coated.

Main Features

- Digital control panel allowing the easy and precise setting and control of the internal temperature.
- Shelf runners are thermoformed and are incorporated in the internal structure to be easily cleanable.
- Whole interior cell with rounded corners is white thermoformed polystyrene, which is impact resistant.
- Very quiet operation.
- No joints whatsoever to eliminate dirt traps.
- Simple refrigeration system easily accessible from the rear of the units.
- Fan assisted cooling for even temperature distribution.
- Suitable for use in ambient temperatures of up to 32 ° C.
- Model equipped with roll-bond plate that has a plate installed in the internal backside of the unit equipped with a special thermostat to avoid ice formation.
- Model requires only 1 phase 220V-60Hz supply and can be plugged straight into an existing power socket.
- Connectivity ready for real time access to connected appliances from remote and data monitoring (requires optional accessory).

Construction

- Developed and produced in ISO 9001 and ISO 14001 certified factory.
- All models in range are finished in top quality materials to aid durability.
- CFC and HCFC free (ecological refrigerant type: R134a, - gas in foam: cyclopentane).

Included Accessories

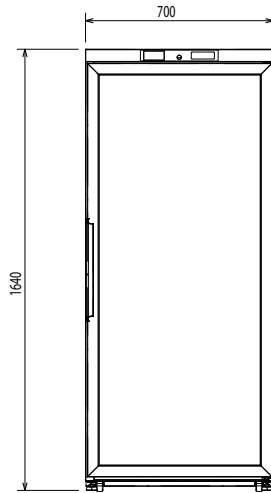
- 2 of Pair of white grids for 400L refrigerators PNC 880292

Optional Accessories

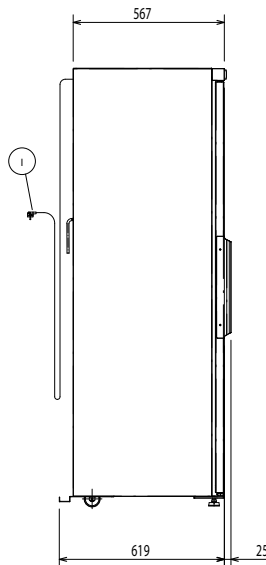
- Pair of white grids for 400L refrigerators PNC 880292
- PVC container with false bottom for 400L PNC 881072

APPROVAL: _____

Front

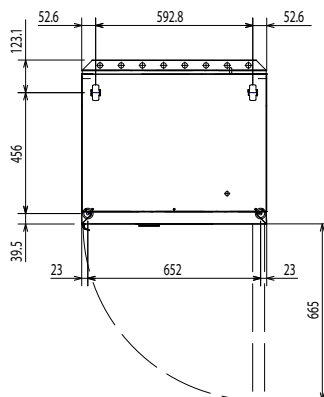


Side



EI = Electrical inlet (power)

Top



Electric

Supply voltage:

730106 (R04PVGW6)

220-230 V/1 ph/60 Hz

Electrical power max.:

0.18 kW

Key Information:

Gross capacity:

400 lt

Door hinges:

External dimensions, Width:

700 mm

External dimensions, Height:

1645 mm

External dimensions, Depth with
Doors Open:

1310 mm

Noise level:

55 dBA

Number and type of grids
(included):

4 - 600x400

Type of external material:

Prepainted Steel

External door material:

Glass

Refrigeration Data

Control type:

Digital

Compressor power:

1/6 hp

Refrigerant type:

R134a

Refrigeration power:

352 W

Refrigeration power at
evaporation temperature:

-10 °C

Refrigerant weight:

210 g

Min/Max internal humidity:

70%/85%

Operating temperature min.:

0 °C

Operating temperature max.:

10 °C

Operating mode:

Ventilated

Cooling unit:

Built-In

Defrost type: