

## Crio Line HP Freezer Counter - 290lt, 6 Drawers (R290)

ITEM # \_\_\_\_\_

MODEL # \_\_\_\_\_

NAME # \_\_\_\_\_

SIS # \_\_\_\_\_

AIA # \_\_\_\_\_



712236 (AH2KBCC)

6x1/3 drawer freezer counter  
290lt, -22-15°C, (R290), AISI  
304,

### Short Form Specification

Item No. \_\_\_\_\_

AISI 304 stainless steel panels, AISI 430 bottom panel, galvanized back panel. Worktop thickness 50mm. N. 6X1/3 drawers. Built-in refrigeration unit. Automatic defrost. Operating temperature: -15-22° C. R290 gas in refrigeration circuit.

### Main Features

- Preservation performances and temperature uniformity within the cell guaranteed at 5-HEAVY DUTY (40°C) working conditions according to EN16825:2016 test protocol.
- Adjustable temperature range from -15°C to -22°C.
- Large digital white-digit display with humidity selection button (3 preset level), internal temperature display and setting, manual activation of defrost cycle and turbo frost cycle (to rapidly cool warm loads).
- Equipped with Airflow system: forced air circulation system for rapid cooling and even temperature distribution within the cell.
- Tropicalized unit (43°C ambient temperature).
- Fitted with 90 mm thickness of cyclopentane insulation for best insulating performance (thermal conductivity: 0,020 W/m\*K) and lowest environmental impact (GWP=3).
- 0mm clearance installation space: tower configuration cooling unit guarantee performance with frontal ventilation only; this unique solution allows installation against the wall or side by side with other appliances, even on the cooling unit side to maximize the use of kitchen space.
- IQ Defrost - fully automatic defrost starts only when ice is actually building-up in the evaporator and adapts the defrosting duration to guarantee perfect ice removal while optimizing energy efficiency consumption.
- Combination of doors and drawers to suit any configuration needed, with the possibility to change the configuration on site. Right cooling unit available on request.
- Fully removable cooling unit to facilitate maintenance.
- Frontal and easy access to all components in the cooling unit.
- Fully compliant HACCP digital control: when temperature exceeds critical limits, acoustic and visual alarms are activated. Up to two months of event are kept in memory.
- Anti-tilt runners accept GN 1/1 containers.
- Self closing stainless steel doors (< 90°).
- Certified safety CE requirements.
- Prearranged to fit RS485 port to facilitate connection to a remote computer and integrated HACCP systems.
- Hot gas automatic evaporation of defrost water.
- Hydrocarbon refrigerant gas R290 for the lowest environmental impact (GWP=3) - CFC and HCFC free.
- CFC and HCFC free, highly ecological refrigerant type: R290 (ecological gas in foam: cyclopentane). Hydrocarbon refrigerant gas R290 for the lowest environmental impact (GWP=3), to reduce green house and ozone depletion effects.
- Connectivity ready for real time access to connected appliances from remote and data monitoring (requires optional accessory).
- Removable triple-chamber balloon magnetic gasket to improve insulation and reduce energy consumption and ease of cleaning.

APPROVAL: \_\_\_\_\_

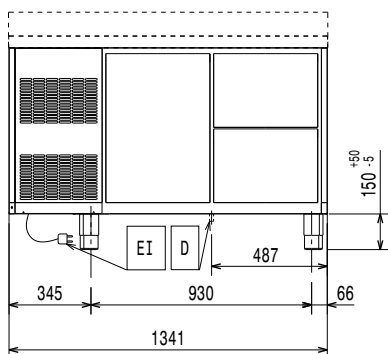
### Construction

- Worktop in AISI 304 Stainless steel with a 50 mm profile.
- If needed, working top can be removed for easier handling during installation (in case of narrow doors).
- Anti-drip profile on stainless steel worktop edge.
- Interior base with rounded corners, pressed from a single sheet.
- Ease of cleaning and high hygiene standards thanks to the rounded internal corners, the easily removable runners, grids and air conveyors.
- Internal structure with 15 charging positions (3 cm pitch) available to host GN 1/1 grids, ensuring higher net capacity and a greater storage space.
- Internal and external doors, front and side panels and removable worktop in AISI 304 Stainless steel.
- Mounted on stainless steel feet to give 150 mm (-5/+50 mm) clearance for ease of cleaning the floor.
- Built-in refrigeration unit.
- Developed and produced in ISO 9001 and ISO 14001 certified factory.
- Fault code display.
- IP21 protection index.
- Internal dimension of the drawers:
  - models with 2 1/2 drawers: 1st drawer (top drawer) 203x302x521 / 2nd drawer 223x302x521 (HxWxD)
  - models with 3 1/3 drawers: 1st drawer (top drawer) 98x302x521 / 2nd and 3rd drawers 118x302x521 (HxWxD)
  - models with 1/3+2/3 drawers: 1st drawer (top drawer) 98x302x521 / 2nd drawer 333x302x521 (HxWxD)

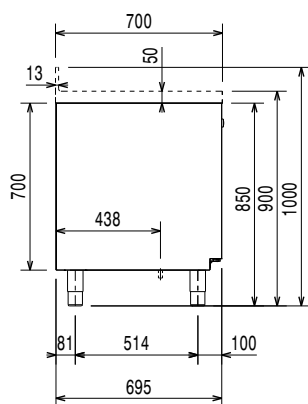
### Optional Accessories

- |  |            |                          |
|--|------------|--------------------------|
| • Kit integrated HACCP for digital refrigerators (IR33)                          | PNC 880252 | <input type="checkbox"/> |
| • 1/1GN gray rilsan grid for refrigerated counters                               | PNC 881107 | <input type="checkbox"/> |
| • 2 side runners for 1/1GN refrigerated counters                                 | PNC 881108 | <input type="checkbox"/> |
| • Kit 1/1GN gray rilsan grid and 2 side runners for refrigerated counters        | PNC 881109 | <input type="checkbox"/> |
| • 1/1GN plastic container, h65mm   | PNC 881110 | <input type="checkbox"/> |
| • 1/1GN plastic container, h100mm  | PNC 881111 | <input type="checkbox"/> |
| • 1/1GN plastic container, h150mm  | PNC 881112 | <input type="checkbox"/> |
| • Kit 4 wheels, h100mm (2 with brakes) for refrigerated counters                 | PNC 881191 | <input type="checkbox"/> |
| • Kit 4 wheels, h150mm (2 with brakes) for 2&3 compartment refrigerated counters | PNC 881193 | <input type="checkbox"/> |
| • Lock for refrigerator/freezer counters with 2 compartments - h700mm            | PNC 881242 | <input type="checkbox"/> |

**Front**

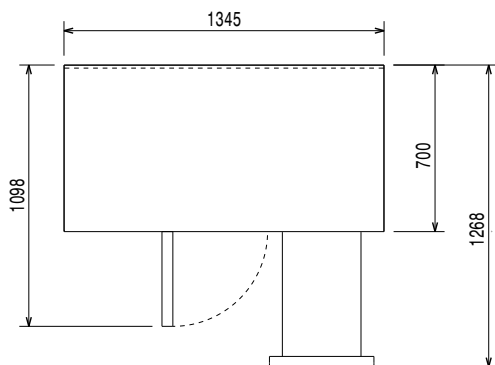


**Side**



EI = Electrical inlet (power)

**Top**



### Electric

Supply voltage:	712236 (AH2KBCC)	220-240 V/1 ph/50 Hz
Electrical power max.:		0.49 kW
Defrost Power:		0.57 kW
Current consumption:		3.3 Amps
Plug type:		CE-SCHUKO

### Key Information:

Gross capacity:	290 lt
Net Volume:	94 lt
Door hinges:	
External dimensions, Width:	1345 mm
External dimensions, Depth:	700 mm
External dimensions, Height:	900 mm
Internal Dimensions, Width:	798 mm
Internal Dimensions, Depth:	560 mm
Internal Dimensions, Height:	550 mm
Net weight:	107 kg
Shipping volume:	1.13 m <sup>3</sup>
Depth with doors open:	1110 mm
Height adjustment:	-5/50 mm

### Refrigeration Data

Control type:	Digital
Compressor power:	3/4 hp
Refrigerant type:	R290
GWP Index:	3
Refrigeration power:	569 W
Refrigeration power at evaporation temperature:	-30 °C
Refrigerant weight:	145 g
Min/Max internal humidity:	
Operating temperature min.:	-15 °C
Operating temperature max.:	-22 °C
Operating mode:	Ventilated

### Product Information (EU Regulation 2015/1094)

Energy Class:	E
Yearly and daily energy consumption:	2250kWh/year - 6kWh/24h
Climate class:	Normal duty (cl.4)
Energy Efficiency Index (EEI):	76,82

### EU energy labelling from 1st July 2016

The European energy labelling scheme for professional refrigerators and freezers is based on requirements setting Minimum Energy Performance standards for commercial refrigeration cabinets sold within the EU. These requirements are designed to drive energy efficiency and environmentally friendly approach for professionals. The European energy labelling scheme will apply to all manufacturers and importers who sell and market products within the EU and it is mandatory across Europe. Important: all products which consume energy above the minimum level will not be able to be sold within the EU from 1 July 2016.

SI 2020 No. 1528.

Important: all products which consume energy above the minimum level will not be able to be sold within the EU from 1 July 2016.

