

CRIO Chill Blast Chiller-Freezer 10GN1/1 50/50 kg

ITEM # _____

MODEL # _____

NAME # _____

SIS # _____

AIA # _____



729254 (ABFA11E)

CRIO Chill blast chiller freezer
50/50kg, 10 GN 1/1 or
600x400mm (29 levels pitch
30mm) with touch screen
control (R452a)

Short Form Specification

Item No.

- Blast chiller freezer with high resolution full touch screen interface, multilanguage
- For 10 GN 1/1 or 600x400 mm trays. Up to 18 ice cream basins of 5 kg (165x360x125h mm)
 - Load capacity: chilling 50 kg; freezing 50 kg
 - AirFlow air distribution system to achieve maximum performance with 7 fan speed levels
 - Chilling/Freezing modes: Automatic (10 food families with 100+ different pre-installed variants); Programs (a maximum 1000 programs can be stored and organized in 16 different categories); Manual (soft chilling, hard chilling, freezing, holding, turbo cooling and lite hot cycles); Special Cycles (Cruise chilling, proving, retarded proving, fast thawing, Sushi&Sashimi, Sous-Vide chilling, ice-cream, yogurt and chocolate)
 - Special functions: MultiTimer chilling/freezing, Make-it-Mine to customize interface, Homepage to customize homepage, agenda Calendar
 - Remaining time estimation for probe-driven cycles based on artificial intelligence techniques (ARTE 2.0)
 - Automatic and manual defrosting and drying
 - USB port to download HACCP data, programs and settings. Connectivity ready
 - 3-point multi sensor core temperature probe
 - Stainless steel construction throughout
 - Internal rounded corners
 - Built-in refrigeration unit
 - R452a refrigerant gas
 - Performance guaranteed at ambient temperatures of +43°C (Climatic class 5).

Main Features

- Blast Chilling cycle: 50 kg from +90°C up to + 3°C in less than 90 minutes.
- Chilling cycle (+10°C to -41°C) with automatic preset cycles:
 - Soft chilling (air temperature 0°C), ideal for delicate food and small portions.
 - Hard chilling (air temperature -20°C), ideal for solid food and whole pieces.
- X-Freeze cycle (+10°C to -41°C): ideal for blast freezing all kinds of food (raw, half or fully cooked).
- Lite-Hot cycle (+40°C to -18°C): ideal for soft heating preparations.
- Turbo cooling: chiller works continuously at the desired temperature; ideal for continuous production.
- Special Cycles:
 - Cruise Cycle (Patented EP1716769B1 and related family) automatically sets the parameters for the quickest and best chilling (it works with probe)
 - Proving
 - Retarded Proving
 - Fast Thawing
 - Sushi&Sashimi (anisakis-free food)
 - Chill Sous-vide
 - Ice Cream
 - Yogurt
 - Chocolate
- Automatic mode including 10 food families (meat, poultry, fish, sauces and soup, vegetables, pasta/rice, bread, savory and sweet bakery, dessert, beverage fast cooling) with 100+ different pre-installed variants. Through Automatic Sensing Phase the blast chiller optimizes the chilling process according to size, quantity and type of food loaded to achieve the selected result. Real time overview of the chilling parameters. Possibility to personalize and save up to 70 variants per family.
- Programs mode: a maximum of 1000 programs can be stored in the blast chiller's memory, to recreate the exact same high standard at any time. The programs can be grouped in 16 different categories to better organize the menu. 16-step chilling programs also available.
- AirFlow air distribution system to achieve maximum performance in chilling/heating evenness and temperature control thanks to a special design of the chamber combined with high precision variable speed fan.
- MultiTimer function to manage up to 20 different chilling cycles at the same time, improving flexibility and ensuring excellent results. Can be saved up to 200 MultiTimer programs.
- Fan with 7 speed levels. Fan stops in less than 5 seconds when door is opened.
- 3-point multi sensor core temperature probe for high precision and food safety.
- 6-point multi sensor core temperature probe for maximum precision and food safety (optional accessory).
- Remaining time estimation for probe-driven cycles based on artificial intelligence techniques (ARTE 2.0 Patented US7971450B2 and related family) for an easier planning of the activities.
- Customizable pre-cooling and pre-heating functions.
- Automatic and manual defrosting and drying.
- Multi-purpose internal structure is suitable for 10 grids GN 1/1 (29 positions available with 30 mm pitch) 10 grids or trays 600 x 400 mm (29 positions available with 30 mm

APPROVAL: _____

- pitch) or 18 ice-cream basins of 5 kg each (h 125 x 165 x 360).
- Performance guaranteed at ambient temperatures of +43°C (Climatic class 5).
- Working temperature from +90°C to +3°C in chilling mode or to -41°C in freezing mode.
- Tropicalized unit.

Construction

- Built-in refrigeration unit.
- Environmentally friendly: R452a as refrigerant gas.
- Solenoid valve to automatically manage the gas pressure in the thermodynamic circuit.
- Main components in 304 AISI stainless steel.
- Evaporator with antirust protection.
- Motors and fan waterproof protected IP54.
- Seamless hygienic internal chamber with all rounded corners for easy cleaning.
- Removable magnetic gasket door with hygienic design.
- Ventilator swinging hinged panel for access to the evaporator for cleaning.
- Door stopper to keep the door open in order to avoid the formation of bad smells (kit available to be mounted on site, depending on preferred door hinge).
- Automatic heated door frame.
- No water connections required.
Waste water can be plumbed into drain, but can also be collected in an optional waste container.

User Interface & Data Management

- High resolution full touch screen interface (translated in more than 30 languages) - color-blind friendly panel.
- Pictures upload for full customization of cycles.
- Make-it-mine feature to allow full personalization or locking of the user interface.
- Homepage lets the user group the favorite functions in the homepage for immediate access.
- Calendar works as an agenda where the user can plan the daily work and receive personalized alerts for each task.
- USB port to download HACCP data, share chilling programs and configurations.
- Connectivity ready for real time access to connected appliances from remote and HACCP monitoring (requires optional accessory).
- Trainings and guidances supporting materials easily accessible by scanning QR-Code with any mobile device.
- Automatic consumption visualization at the end of the cycle.
- With Match function the Oven and the Blast Chiller are connected to each other and communicate in order to guide the user through the cook&chill process optimizing time and efficiency (requires optional accessory).

Sustainability

- Holding at +3 °C for chilling or -22 °C for freezing, automatically activated at the end of each cycle, to save energy and maintain the target temperature (manual activation is also possible).

Included Accessories

- 1 of 3-sensor probe for blast chiller freezer PNC 880582

Optional Accessories

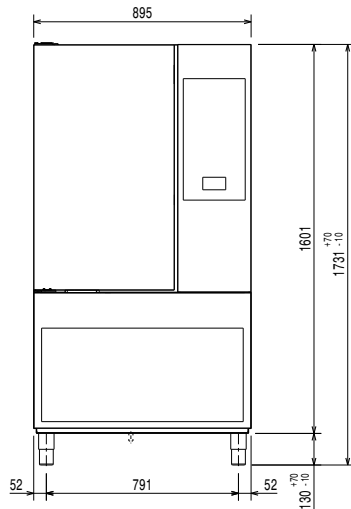
- Pastry grid (400x600mm) for 70kg blast chillers/blast chiller freezers PNC 880294
- Slide-in rack support for 10 GN 1/1 blast chiller freezer PNC 880564

- 6-sensor probe for blast chiller freezer PNC 880566
- Kit of 3 single sensor probes for blast chiller/freezers PNC 880567
- 3-sensor probe for blast chiller freezer PNC 880582
- 5 stainless steel runners for 6 & 10 GN 1/1 blast chiller freezer PNC 880587
- Flanged feet for blast chiller freezer PNC 880589
- SLIDE-IN RACK SUPPORT FOR 10 GN 1/1 BLAST CHILLER FREEZER - NORDCAP PNC 880684
- 4 wheels for blast chiller freezer PNC 881284
- Pair of 1/1GN AISI 304 grids PNC 922017
- Couple of grids GN 1/1 for whole chicken (8 per grid) PNC 922036
- AISI 304 stainless steel grid, GN 1/1 PNC 922062
- Air remote refrigerating unit for 10x 1/1GN blast chiller freezer - R404A PNC 922086
- Baking tray with 5 rows (baguette), perforated aluminium with silicon coating (400x600x38) PNC 922189
- Baking tray with 4 edges, perforated aluminium (400x600x20) PNC 922190
- Baking tray with 4 edges, aluminium (400x600x20) PNC 922191
- 2 frying baskets for ovens PNC 922239
- Pastry grid in AISI 304 stainless steel, 400x600mm PNC 922264
- Grid for whole chicken 1/1GN (8 per grid - 1,2kg each) PNC 922266
- Kit universal skewer rack and 4 long skewers for Lengthwise ovens PNC 922324
- Kit universal skewer rack and 6 short skewers for Lengthwise and Crosswise ovens PNC 922325
- Universal skewer rack PNC 922326
- 4 LONG SKEWERS PNC 922327
- Multipurpose hook PNC 922348
- Grid for whole duck (8 per grid - 1,8kg each), GN 1/1 PNC 922362
- Connectivity hub (SIM) Router Ethernet + WiFi + 4G (UE) PNC 922399
- Connectivity hub (LAN) Router Ethernet + WiFi PNC 922412
- IoT module for CRIO Chill blast chiller/freezers PNC 922421
- Tray rack with wheels, 10 GN 1/1, 65mm pitch (included) PNC 922601
- Tray rack with wheels 8 GN 1/1, 80mm pitch PNC 922602
- Bakery/pastry tray rack with wheels 400x600mm for 10 GN 1/1 oven and blast chiller freezer, 80mm pitch (8 runners) PNC 922608
- Trolley for slide-in rack for 6 & 10 GN 1/1 oven and blast chiller freezer PNC 922626
- Banquet rack with wheels holding 30 plates for 10 GN 1/1 oven and blast chiller freezer, 65mm pitch PNC 922648
- Banquet rack with wheels holding 23 plates for 10 GN 1/1 oven and blast chiller freezer, 85mm pitch PNC 922649
- Dehydration tray, GN 1/1, H=20mm PNC 922651
- Flat dehydration tray, GN 1/1 PNC 922652
- Spit for lamb or suckling pig (up to 12kg) for GN 1/1 ovens PNC 922709
- MESH GRILLING GRID, GN 1/1 PNC 922713

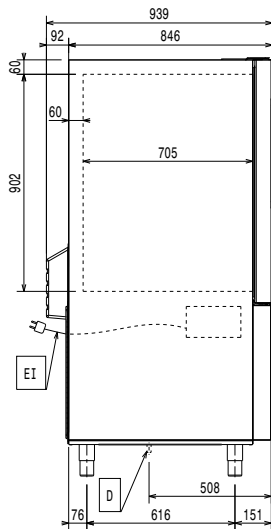
- Probe holder for liquids PNC 922714
- Non-stick universal pan, GN 1/1, H=20mm PNC 925000
- Non-stick universal pan, GN 1/1, H=40mm PNC 925001
- Non-stick universal pan, GN 1/1, H=60mm PNC 925002
- Double-face griddle, one side ribbed and one side smooth, GN 1/1 PNC 925003
- Aluminum grill, GN 1/1 PNC 925004
- Frying pan for 8 eggs, pancakes, hamburgers, GN 1/1 PNC 925005
- Flat baking tray with 2 edges, GN 1/1 PNC 925006
- Baking tray for 4 baguettes, GN 1/1 PNC 925007
- Potato baker for 28 potatoes, GN 1/1 PNC 925008
- Non-stick universal pan, GN 1/2, H=20mm PNC 925009
- Non-stick universal pan, GN 1/2, H=40mm PNC 925010
- Non-stick universal pan, GN 1/2, H=60mm PNC 925011
- Kit of 6 non-stick universal pans, GN 1/1, H=20mm PNC 925012
- Kit of 6 non-stick universal pans, GN 1/1, H=40mm PNC 925013
- Kit of 6 non-stick universal pan GN 1/1, H=60mm PNC 925014



Front

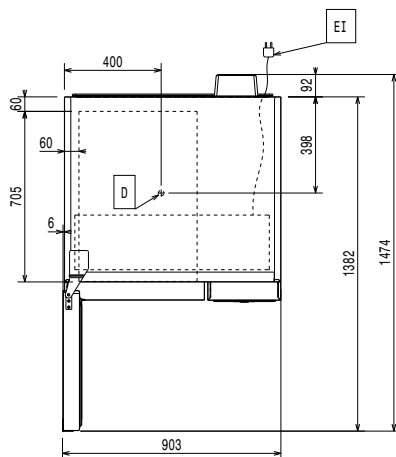


Side



D = Drain
EI = Electrical inlet (power)

Top



Electric

Supply voltage:	729254 (ABFA11E)	380-415 V/3N ph/50 Hz
Electrical power max.:		4.15 kW
Heating power:		1.9 kW
Circuit breaker required		

Water:

Drain line size:	1"1/2
------------------	-------

Installation:

Clearance: 5 cm on sides and back.
Please see and follow detailed installation instructions provided with the unit

Capacity:

Max load capacity:	50 kg
Trays type:	600x400; GN 1/1; Ice Cream

Key Information:

Door hinges:	Left Side
External dimensions, Width:	895 mm
External dimensions, Depth:	939 mm
External dimensions, Height:	1731 mm
Net weight:	265 kg
Shipping weight:	275 kg
Shipping volume:	2.05 m ³

Refrigeration Data

Built-in Compressor and Refrigeration Unit

Refrigeration power at evaporation temperature:	-20 °C
-------------------------------------------------	--------

Product Information (EN17032 – Commission Regulation EU 2015/1095)

Chilling Cycle Time (+65°C to +10°C):	69 min
Full load capacity (chilling):	50 kg
Freezing Cycle Time (+65°C to -18°C):	245 min
Full load capacity (freezing):	50 kg

Test performed in a test room at 30°C to chill/ freeze (+10°C/-18°C) a full load of 40mm deep trays filled with mashed potatoes evenly distributed up to a height of 35 mm at starting temperature between 65° and 80°C within 120/270min.

Sustainability

Refrigerant type:	R452A
GWP Index:	2141
Refrigeration power:	4220 W
Refrigerant weight:	2000 g
Energy consumption, cycle (chilling):	0.0798 kWh/kg
Energy consumption, cycle (freezing):	0.2253 kWh/kg