

CRIO Chill Blast Chiller-Freezer 2x20GN1/1 200/170 kg, Remote, Roll-in, disassembled

ITEM # _____

MODEL # _____

NAME # _____

SIS # _____

AIA # _____



729267 (ABFA221RDE)

CRIO Chill blast chiller freezer
200/170kg, 2x20 GN 1/1 or
600x400mm with touch
screen control and remote
refrigerating unit -
disassembled (R452a)

Short Form Specification

Item No.

- Blast chiller freezer with high resolution full touch screen interface, multilanguage.
- For 2 x GN, 400x600 or Banqueting trolleys.
 - Load capacity: chilling 200 kg; freezing 170 kg.
 - AirFlow air distribution system to achieve maximum performance.
 - Chilling/Freezing modes: Automatic (10 food families with 100+ different pre-installed variants); Programs (a maximum 1000 programs can be stored and organized in 16 different categories); Manual (soft chilling, hard chilling, freezing, holding, turbo cooling and lite hot cycles); Special Cycles (Cruise chilling, fast thawing, Sushi&Sashimi, Sous-Vide chilling, ice-cream).
 - Special functions: MultiTimer chilling/freezing, Make-it-Mine to customize interface, Homepage to customize homepage, agenda Calendar.
 - Remaining time estimation for probe-driven cycles based on artificial intelligence techniques (ARTE 2.0).
 - Automatic and manual defrosting and drying.
 - USB port to download HACCP data, programs and settings. Connectivity ready.
 - 3-point multi sensor core temperature probe.
 - Stainless steel construction throughout.
 - Internal rounded corners.
 - Remote refrigeration unit (optional accessory).
 - R452a refrigerant gas.
 - Performance guaranteed at ambient temperatures of +43°C (Climatic class 5).
 - Delivered disassembled.
 - Compatible with Electrolux, Zanussi and Rational ovens.

Main Features

- Blast Chilling cycle: 200 kg from +90°C up to + 3°C in less than 90 minutes.
- Chilling cycle (+10°C to -41°C) with automatic preset cycles:
 - Soft chilling (air temperature 0°C), ideal for delicate food and small portions.
 - Hard chilling (air temperature -20°C), ideal for solid food and whole pieces.
- X-Freeze cycle (+10°C to -41°C): ideal for blast freezing all kinds of food (raw, half or fully cooked).
- Lite-Hot cycle (+40°C to -18°C): ideal for soft heating preparations.
- Turbo cooling: chiller works continuously at the desired temperature; ideal for continuous production.
- Automatic mode including 10 food families (meat, poultry, fish, sauces and soup, vegetables, pasta/rice, bread, savory and sweet bakery, dessert, beverage fast cooling) with 100+ different pre-installed variants. Through Automatic Sensing Phase the blast chiller optimizes the chilling process according to size, quantity and type of food loaded to achieve the selected result. Real time overview of the chilling parameters. Possibility to personalize and save up to 70 variants per family.
- Programs mode: a maximum of 1000 programs can be stored in the blast chiller's memory, to recreate the exact same high standard at any time. The programs can be grouped in 16 different categories to better organize the menu. 16-step chilling programs also available.
- MultiTimer function to manage up to 20 different chilling cycles at the same time, improving flexibility and ensuring excellent results. Can be saved up to 200 MultiTimer programs.
- 3-point multi sensor core temperature probe for high precision and food safety.
- 6-point multi sensor core temperature probe for maximum precision and food safety (optional accessory).
- Customizable pre-cooling function.
- Remaining time estimation for probe-driven cycles based on artificial intelligence techniques (ARTE 2.0 Patented US7971450B2 and related family) for an easier planning of the activities.
- Automatic and manual defrosting and drying.
- Performance guaranteed at ambient temperatures of +43°C (Climatic class 5).
- Special Cycles:
 - Cruise Chilling automatically sets the parameters for the quickest and best chilling (it works by probe)
 - Fast Thawing
 - Sushi&Sashimi (anisakis-free food)
 - Sous-vide chilling
 - Ice Cream
- AirFlow air distribution system to achieve maximum performance in chilling/heating evenness and temperature control thanks to a special design of the chamber combined with high precision variable speed fan.
- Working temperature from +90°C to +3°C in chilling mode or to -41°C in freezing mode.
- Tropicalized unit.

Construction

- Remote refrigeration unit (optional accessory).
- Environmentally friendly: R452a as refrigerant gas.

APPROVAL: _____

- Solenoid valve to automatically manage the gas pressure in the thermodynamic circuit.
- Main components in 304 AISI stainless steel.
- Evaporator with antirust protection.
- Motors and fan waterproof protected IP23.
- Seamless hygienic internal chamber with all rounded corners for easy cleaning.
- Removable magnetic gasket door with hygienic design.
- Ventilator swinging hinged panel for access to the evaporator for cleaning.
- Automatic heated door frame.

User Interface & Data Management

- High resolution full touch screen interface (translated in more than 30 languages) - color-blind friendly panel.
- Pictures upload for full customization of cycles.
- Make-it-mine feature to allow full personalization or locking of the user interface.
- USB port to download HACCP data, share chilling programs and configurations.
- Connectivity ready for real time access to connected appliances from remote and HACCP monitoring (requires optional accessory).
- Trainings and guidances supporting materials easily accessible by scanning QR-Code with any mobile device.
- Automatic consumption visualization at the end of the cycle.
- Calendar works as an agenda where the user can plan the daily work and receive personalized alerts for each task.
- Homepage lets the user group the favorite functions in the homepage for immediate access.
- With Match function the Oven and the Blast Chiller are connected to each other and communicate in order to guide the user through the cook&chill process optimizing time and efficiency (requires optional accessory).

Sustainability

- Holding at +3 °C for chilling or -22 °C for freezing, automatically activated at the end of each cycle, to save energy and maintain the target temperature (manual activation is also possible).

Included Accessories

- 1 of 3-sensor probe for blast chiller freezer PNC 880582

Optional Accessories

- Pastry grid (400x600mm) for 70kg blast chillers/blast chiller freezers PNC 880294
- 6-sensor probe for blast chiller freezer PNC 880566
- Kit of 3 single sensor probes for blast chiller/freezers PNC 880567
- 3-sensor probe for blast chiller freezer PNC 880582
- Air remote refrigerating unit for 2x20 GN1/1 blast chiller freezer - R452A PNC 881225
- 2/1GN roll-in rack PNC 881449
- Pair of 1/1GN AISI 304 grids PNC 922017
- Couple of grids GN 1/1 for whole chicken (8 per grid) PNC 922036
- AISI 304 stainless steel grid, GN 1/1 PNC 922062
- AISI 304 stainless steel grid, GN 2/1 PNC 922076
- Pair of 2/1 GN grids in 304 AISI PNC 922175
- Baking tray with 5 rows (baguette), perforated aluminium with silicon coating (400x600x38) PNC 922189

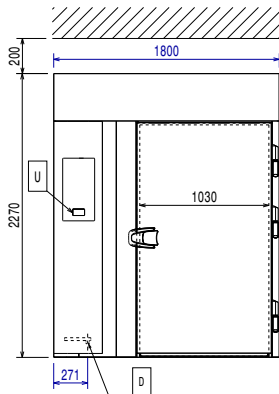
- Baking tray with 4 edges, perforated aluminium (400x600x20) PNC 922190
- Baking tray with 4 edges, aluminium (400x600x20) PNC 922191
- 2 frying baskets for ovens PNC 922239
- Pastry grid in AISI 304 stainless steel, 400x600mm PNC 922264
- Grid for whole chicken 1/1GN (8 per grid - 1,2kg each) PNC 922266
- Kit universal skewer rack and 4 long skewers for Lengthwise ovens PNC 922324
- Kit universal skewer rack and 6 short skewers for Lengthwise and Crosswise ovens PNC 922325
- Universal skewer rack PNC 922326
- 6 short skewers PNC 922328
- Multipurpose hook PNC 922348
- Grid for whole duck (8 per grid - 1,8kg each), GN 1/1 PNC 922362
- Thermal cover for 20 GN 2/1 oven and blast chiller freezer PNC 922367
- Connectivity hub (SIM) Router Ethernet + WiFi + 4G (UE) PNC 922399
- Connectivity hub (LAN) Router Ethernet + WiFi PNC 922412
- IoT module for CRIO Chill blast chiller/freezers PNC 922421
- Dehydration tray, GN 1/1, H=20mm PNC 922651
- Flat dehydration tray, GN 1/1 PNC 922652
- Trolley with tray rack, 16 GN 2/1, 84mm pitch PNC 922686
- Spit for lamb or suckling pig (up to 30kg) for 20 GN 2/1 ovens PNC 922711
- Probe holder for liquids PNC 922714
- Trolley with tray rack 20 GN 2/1, 63mm pitch PNC 922757
- Trolley with tray rack, 16 GN 2/1, 80mm pitch PNC 922758
- Banquet trolley with rack holding 92 plates for 20 GN 2/1 oven and blast chiller freezer, 85mm pitch PNC 922760
- Bakery/pastry trolley with rack holding 400x600mm grids for 20 GN 2/1 oven and blast chiller freezer, 80mm pitch (16 runners) PNC 922762
- Banquet trolley with rack holding 116 plates for 20 GN 2/1 oven and blast chiller freezer, 66mm pitch PNC 922764
- Non-stick universal pan, GN 1/1, H=20mm PNC 925000
- Non-stick universal pan, GN 1/1, H=40mm PNC 925001
- Non-stick universal pan, GN 1/1, H=60mm PNC 925002
- Double-face griddle, one side ribbed and one side smooth, GN 1/1 PNC 925003
- Aluminum grill, GN 1/1 PNC 925004
- Frying pan for 8 eggs, pancakes, hamburgers, GN 1/1 PNC 925005
- Flat baking tray with 2 edges, GN 1/1 PNC 925006
- Baking tray for 4 baguettes, GN 1/1 PNC 925007
- Potato baker for 28 potatoes, GN 1/1 PNC 925008
- Kit of 6 non-stick universal pans, GN 1/1, H=20mm PNC 925012
- Kit of 6 non-stick universal pans, GN 1/1, H=40mm PNC 925013
- Kit of 6 non-stick universal pan GN 1/1, H=60mm PNC 925014

CRIO Chill
Blast Chiller-Freezer 2x20GN1/1 200/170 kg, Remote, Roll-in, disassembled

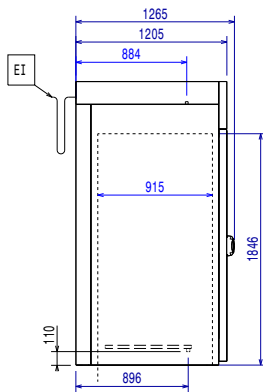
The company reserves the right to make modifications to the products without prior notice. All information correct at time of printing.



Front

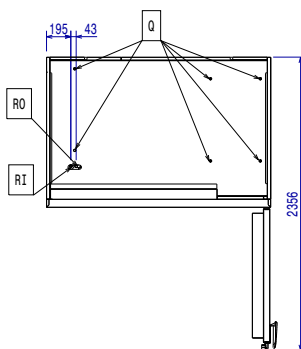


Side



- D** = Drain
- EI** = Electrical inlet (power)
- RO** = Refrigerant Outlet
- WIC** = Cooling water inlet

Top



Electric

Supply voltage:	
729267 (ABFA221RDE)	380-415 V/3N ph/50/60 Hz
Electrical power max.:	7.44 kW
Heating power:	7.4 kW
Circuit breaker required	

Water:

Drain line size:	3/4"
-------------------------	------

Installation:

Clearance: 5 cm on sides and back.
Please see and follow detailed installation instructions provided with the unit

Capacity:

Max load capacity:	200 kg
Trays type:	GN 1/1;GN 2/1

Key Information:

Door hinges:	Right Side
External dimensions, Width:	1800 mm
External dimensions, Depth:	1266 mm
External dimensions, Height:	2270 mm
Net weight:	220 kg
Shipping weight:	120 kg
Shipping weight 2:	220 kg
Shipping volume:	3.58 m ³

Refrigeration Data

Compatible refrigerant gas:	R404A; R452A
Suggested refrigeration power:	12650 W
Condition at evaporation temperature:	-20 °C
Condition at condensation temperature:	40 °C
Condition at ambient temperature:	30 °C
Connection pipes (remote) - outlet:	22 mm
Connection pipes (remote) - inlet:	12 mm

Note: refrigeration power calculated at a distance of 20 linear mt.