

ALPENINOX

Crio Smart 2 Door Digital Refrigerator, 1430lt (-2/+10) on wheels - R290

ITEM # _____

MODEL # _____

NAME # _____

SIS # _____

AIA # _____



729635 (ARX142FRHW)

2-door refrigerator 1430lt, with wheels, -2/+10°C, digital, AISI 304, R290

Short Form Specification

Item No. _____

Two full doors refrigerator with internal and external structure in 304 AISI stainless steel; external back panel in galvanized steel and bottom panel in anti-corrosive material. Digital control with cabinet temperature display and setting and manual activation of defrost cycle. Fully compliant HACCP digital controls include visible alarms. Optimized back to front forced air flow provides even temperature distribution and fast cooling in any conditions. Fitted with 75 mm-thick cyclopentane insulating foam. Door features lock and door microswitch to switch off the fan when the door is opened. Hidden evaporator to guarantee higher storage capacity and less corrosion problems. Remote refrigeration unit; ventilated operation; automatic defrost and evaporation of defrost water. Operating temperature: -2/+10 °C. For ambient temperatures up to 43 °C. CFC and HCFC free. R290 gas in refrigeration circuit. Integrated RS485 port to facilitate connection to a remote computer and integrated HACCP systems.

Main Features

- Connectivity ready for real time access to connected appliances from remote and data monitoring (requires optional accessory).
- Cabinet fitted with up to 75 mm thickness of cyclopentane insulation for best insulating performance with 100% environmental protection (thermal conductivity: 0,020 W/m*K).
- Hidden evaporator thus guaranteeing higher storage capacity and less corrosion problems.
- Integrated RS485 port to facilitate connection to a remote computer and integrated HACCP systems.
- Easy serviceability thanks to the intuitive control panel with remote access via app.
- Internal structure with numerous charging positions available to host grids, ensuring higher net capacity and a greater storage space.
- 60 mm-thick insulation covering the evaporator can be easily removed with a single operation.
- Tropicalized unit (43°C ambient temperature).
- Rilsan coated grids for improved protection.
- Optimized back to front forced air flow provide even temperature distribution and fast cooling in any conditions.
- Large storage area suitable to contain 2/1 GN grids or shelves on anti-tilt runners.
- Automatic defrost.
- Large digital white-digit display with cabinet temperature display and setting, manual activation of defrost cycle and turbo frost cycle (to rapidly cool warm loads).
- Equipped with single phase electrical cable and Schuko plug for easy and fast installation.
- Operating temperature can be adjusted from -2 to +10 °C to suit different food storage requirements.
- Right hinged full door.
- Two full doors.
- This appliance is intended for use in ambient temperatures up to 40°C.
- Digital control with cabinet temperature display and setting and manual activation of defrost cycle. Fully compliant HACCP digital controls include visible alarms.

APPROVAL: _____

Construction

- Easy access to the main components for maintenance.
- Constructed from the highest quality AISI 304 Stainless steel.
- Stainless steel runners and supports easily disassembled.
- Anti-corrosion bottom avoids any damage that may be caused to the cabinet by aggressive detergents employed to clean the floors.
- Doors are self-closing and can be fully opened up to 180°.
- Lockable door.
- The rounded internal corners, the easily removable runners and grids allow for ease of cleaning and high hygiene standards.
- Mounted on adjustable Stainless steel feet, with castors as an option.
- Interior base with rounded corners, pressed from a single sheet.

• AISI 304 stainless steel grid with 2 runners, 2/1GN	PNC 881018	<input type="checkbox"/>
• Meat rail for 670/1430L refrigerators with 4 hooks	PNC 881019	<input type="checkbox"/>
• 2/1GN gray rilsan grid with 2 runners	PNC 881020	<input type="checkbox"/>
• Set of 2 stainless steel runners for 670/1430L refrigerators and freezers	PNC 881021	<input type="checkbox"/>
• Pedal opening for 1430L refrigerators	PNC 881033	<input type="checkbox"/>
• PVC container with lid and 2 runners, 2/1GN	PNC 881039	<input type="checkbox"/>
• 2/1GN perforated shelf	PNC 881042	<input type="checkbox"/>
• 1/1GN rilsan steel wire basket h150mm	PNC 881043	<input type="checkbox"/>
• 3 gray rilsan central grids for 1430L (not for glass door)	PNC 881044	<input type="checkbox"/>
• 2/1GN gray rilsan basket + 2 runners h150mm	PNC 881047	<input type="checkbox"/>
• 5 swivelling wheels (2 with brake), diam 125mm, for 1430 lt refrigerators, NOT for remote models	PNC 881294	<input type="checkbox"/>

Sustainability

- Automatic evaporation of the defrosting water by hot gas on the top for energy saving.
- Door switch stops the fan when door is opened to avoid cold air exiting the cell, thus saving energy.
- Removable triple-chamber balloon magnetic gasket to improve insulation and reduce energy consumption and ease of cleaning.
- CFC and HCFC free, highly ecological refrigerant type: R290 (ecological gas in foam: cyclopentane). Hydrocarbon refrigerant gas R290 for the lowest environmental impact (GWP=3), to reduce green house and ozone depletion effects.
- Cleaning-free condenser: the structure of the wire frame condenser prevents dust and grease accumulation thus avoiding periodical cleaning operations and reducing energy consumption.
- CFC and HCFC-free insulation.
- R290 refrigerant to reduce green house and ozone depletion effects.

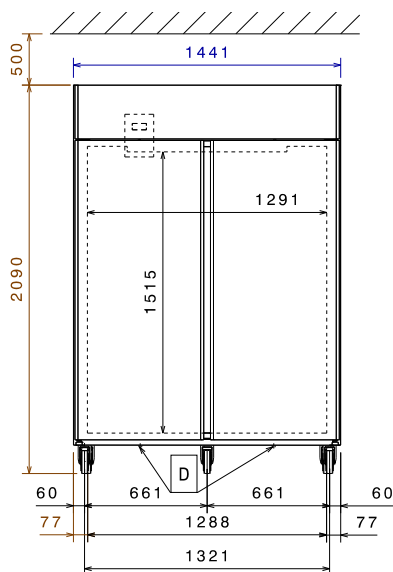
Included Accessories

- 1 of 4 swivelling wheels (2 with brake), diam 125 mm, for refrigerators, NOT for remote models PNC 881002
- 6 of 2/1GN gray rilsan grid with 2 runners PNC 881020

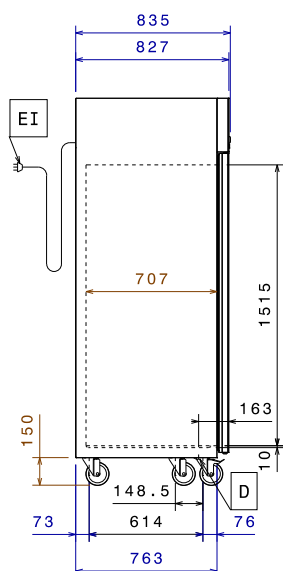
Optional Accessories

- 2 stainless steel runners for refrigerated cabinets - (Marine) PNC 880242
- Spacer for 670L and 1430L refrigerated cabinets PNC 880248
- Kit integrated HACCP for digital refrigerators (IR33) PNC 880252
- Kit to fit 20 pastry trays (400x600mm) PNC 880333
- Kit of 6 swivelling wheels (2 with brake), diam 50mm PNC 880340
- Ethernet connectivity kit IJF for Refrigeration PNC 880685
- Plastic container with false bottom, 1/1GN PNC 880705
- 2/1GN gray rilsan grid PNC 881004
- AISI 304 stainless steel grid, 2/1GN PNC 881016

Front

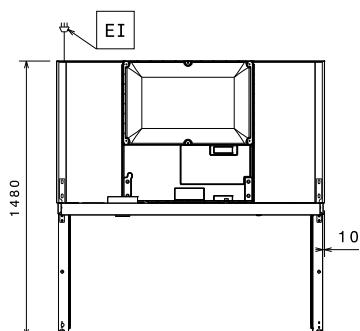


Side



EI = Electrical inlet (power)

Top



Electric

Supply voltage:	729635 (ARX142FRHW)	220-240 V/1 ph/50 Hz
Electrical power max.:		0.3 kW
Defrost Power:		0.19 kW
Plug type:		CE-SCHUKO

Key Information:

Gross capacity:	1430 lt
Net Volume:	1005 lt
Door hinges:	1 Left+1 Right
External dimensions, Width:	1441 mm
External dimensions, Depth:	835 mm
External dimensions, Height:	2090 mm
Number and type of doors:	2 Full
Internal Dimensions, Width:	1291 mm
Internal Dimensions, Depth:	707 mm
Internal Dimensions, Height:	1515 mm
Net weight:	210 kg
Shipping volume:	2.82 m ³
Height adjustment:	0/0 mm
Number and type of grids (included):	6 - GN 2/1

Refrigeration Data

Control type:	Digital
Compressor power:	1/3 hp
Refrigeration power at evaporation temperature:	-10 °C
Min/Max internal humidity:	
Operating temperature min.:	-2 °C
Operating temperature max.:	10 °C
Operating mode:	Ventilated

Product Information (EU Regulation 2015/1094)

Type of model (EU Reg. 2015/1094):	vertical chilled
------------------------------------	------------------

Sustainability

Current consumption:	2.2 Amps
Energy Class (EU Reg. 2015/1094):	D
Yearly and daily energy consumption (EU Reg. 2015/1094):	1153kWh/year - 3kWh/24h
Climate class (EU Reg. 2015/1094):	Heavy Duty (5)
Energy Efficiency Index-EEI (EU Reg. 2015/1094):	51,01
Refrigerant type:	R290
GWP Index:	3
Refrigeration power:	395 W
Refrigerant weight:	120 g
Energy consumption (min,default):	0 - 0 kW/h



EU energy labelling from 1st July 2016

The European energy labelling scheme for professional refrigerators and freezers is based on requirements setting Minimum Energy Performance standards for commercial refrigeration cabinets sold within the EU. These requirements are designed to drive energy efficiency and environmentally friendly approach for professionals. The European energy labelling scheme will apply to all manufacturers and importers who sell and market products within the EU and it is mandatory across Europe. Important: all products which consume energy above the minimum level will not be able to be sold within the EU from 1 July 2016.

SI 2020 No. 1528.

Important: all products which consume energy above the minimum level will not be able to be sold within the EU from 1 July 2016.

