

Digital Undercounter Compact Refrigerated Counter - 250lt, 2 Doors no worktop (R290)

ITEM # _____

MODEL # _____

NAME # _____

SIS # _____

AIA # _____



729621 (ASAL25N20)

2-door compact refrigerated counter 250L, +2+10°C, (R290), AISI 304, without worktop

Short Form Specification

Item No. _____

Constructed entirely in 304 AISI stainless steel. No worktop. High-density expanded polyurethane foam, 50 mm in thickness, with cyclopentane injection. Height-adjustable feet. Lower refrigerated compartment designed to accommodate GN 1/1 containers and equipped with N. 2 hinged doors. Built-in refrigeration unit. Ventilated. Refrigerant R290. Digital control panel. Automatic evaporation of defrost water. Drain outlet. Suitable to operate in ambient temperatures up to +43°C. Temperature range: +2+10°C. CFC and HCFC free.

Main Features

- Adjustable temperature range from 2 °C to 10 °C to suit meat, fish and dairy storage requirements.
- Tropicalized unit (43°C ambient temperature).
- Forced air circulation for rapid cooling and an even temperature distribution.
- Automatic evaporation of defrost water. Prearrangement for drain outlet.
- Connectivity ready for real time access to connected appliances from remote and data monitoring (requires optional accessory).
- Digital control panel.
- Anti-tilt runners accept GN 1/1 containers.
- A kit of wheels is available as optional accessory for easier movement.

Construction

- IPX3 protected.
- Access to all components from the front.
- Built-in compressor to suit operating conditions.
- Constructed from AISI 304 Stainless steel throughout to meet the highest hygiene standards.
- Developed and produced in ISO 9001 and ISO 14001 certified factory.
- Mounted on legs with height adjustment.
- Rounded internal corners for ease of cleaning.
- Adjustable feet 66-88 mm (see optional accessory).

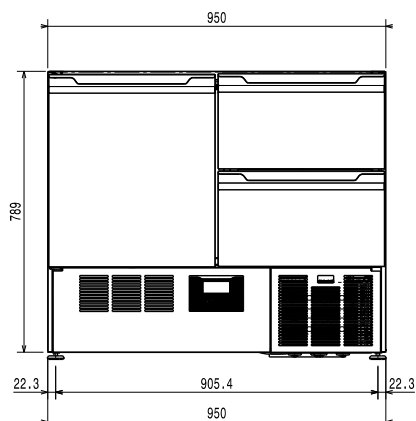
Optional Accessories

- Kit integrated HACCP for digital refrigerators (IR33) PNC 880252
- Kit 4 wheels for 250L refrigerated counter, saladette PNC 880267
- Feet to reach 900mm height for 250lt saladette PNC 881254
- 1/1GN gray rilsan grid PNC 881435

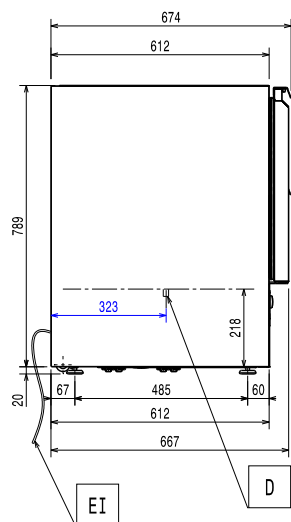
APPROVAL: _____

Digital Undercounter Compact Refrigerated Counter - 250lt, 2 Doors no worktop (R290)

Front

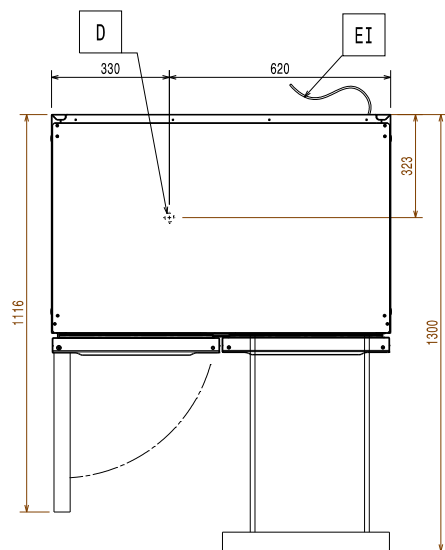


Side



EI = Electrical inlet (power)

Top



Electric

Supply voltage:	729621 (ASAL25N20)	220-240 V/1 ph/50 Hz
Electrical power max.:		0.22 kW
Plug type:		CE-SCHUKO

Key Information:

Gross capacity:	250 lt
Net Volume:	140 lt
Door hinges:	1 Left+1 Right
External dimensions, Width:	950 mm
External dimensions, Depth:	700 mm
External dimensions, Height:	809 mm
Internal Dimensions, Width:	870 mm
Internal Dimensions, Depth:	550 mm
Internal Dimensions, Height:	520 mm
Net weight:	65 kg
Shipping volume:	0.7 m ³
Depth with doors open:	1120 mm
Height adjustment:	0/0 mm

Refrigeration Data

Control type:	Digital
Compressor power:	1/4 hp
Refrigeration power at evaporation temperature:	-10 °C
Min/Max internal humidity:	50/70/
Operating temperature min.:	0 °C
Operating temperature max.:	10 °C
Operating mode:	Ventilated

Sustainability

Current consumption:	1.6 Amps
Energy Class (EU Reg. 2015/1094):	C
Yearly and daily energy consumption (EU Reg. 2015/1094):	853kWh/year - 2kWh/24h
Climate class (EU Reg. 2015/1094):	Heavy Duty (5)
Energy Efficiency Index-EEI (EU Reg. 2015/1094):	39.51
Refrigerant type:	R290
GWP Index:	3
Refrigeration power:	314 W
Refrigerant weight:	50 g

Digital Undercounter
Compact Refrigerated Counter - 250lt, 2 Doors no worktop (R290)

The company reserves the right to make modifications to the products without prior notice. All information correct at time of printing.

EU energy labelling from 1st July 2016

The European energy labelling scheme for professional refrigerators and freezers is based on requirements setting Minimum Energy Performance standards for commercial refrigeration cabinets sold within the EU. These requirements are designed to drive energy efficiency and environmentally friendly approach for professionals. The European energy labelling scheme will apply to all manufacturers and importers who sell and market products within the EU and it is mandatory across Europe. Important: all products which consume energy above the minimum level will not be able to be sold within the EU from 1 July 2016.

SI 2020 No. 1528.

Important: all products which consume energy above the minimum level will not be able to be sold within the EU from 1 July 2016.

