

Digital Undercounter Compact Refrigerated Counter - 250lt, 4 Drawers no worktop (R290)

ITEM # _____

MODEL # _____

NAME # _____

SIS # _____

AIA # _____



729619 (ASAL25N04)

4-drawer compact refrigerated counter 250L,+2+10°C, (R290), AISI 304, without worktop

Short Form Specification

Item No. _____

Constructed entirely in 304 AISI stainless steel. No worktop. High-density expanded polyurethane foam, 50 mm in thickness, with cyclopentane injection. Height-adjustable feet. Lower refrigerated compartment designed to accommodate GN 1/1 containers and equipped with N. 4 drawers. Built-in refrigeration unit. Ventilated. Refrigerant R290. Digital control panel. Automatic evaporation of defrost water. Drain outlet. Suitable to operate in ambient temperatures up to +43°C. Temperature range: +2+10°C. CFC and HCFC free.

Main Features

- Adjustable temperature range from 2 °C to 10 °C to suit meat, fish and dairy storage requirements.
- Tropicalized unit (43°C ambient temperature).
- Forced air circulation for rapid cooling and an even temperature distribution.
- Automatic evaporation of defrost water. Prearrangement for drain outlet.
- Connectivity ready for real time access to connected appliances from remote and data monitoring (requires optional accessory).
- Digital control panel.
- Anti-tilt runners accept GN 1/1 containers.

Construction

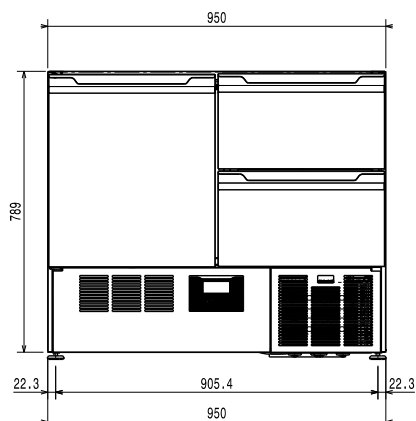
- IPX3 protected.
- Access to all components from the front.
- Built-in compressor to suit operating conditions.
- Constructed from AISI 304 Stainless steel throughout to meet the highest hygiene standards.
- Developed and produced in ISO 9001 and ISO 14001 certified factory.
- Mounted on legs with height adjustment.
- Rounded internal corners for ease of cleaning.

Optional Accessories

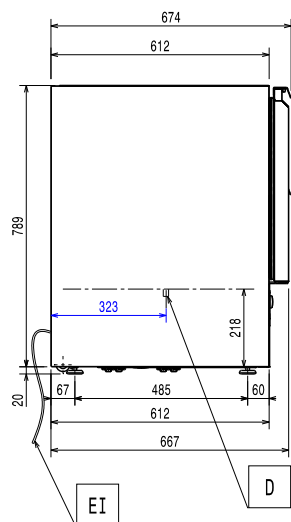
- Kit integrated HACCP for digital refrigerators (IR33) PNC 880252
- Kit 4 wheels for 250L refrigerated counter, saladette PNC 880267
- Feet to reach 900mm height for 250lt saladette PNC 881254

APPROVAL: _____

Front

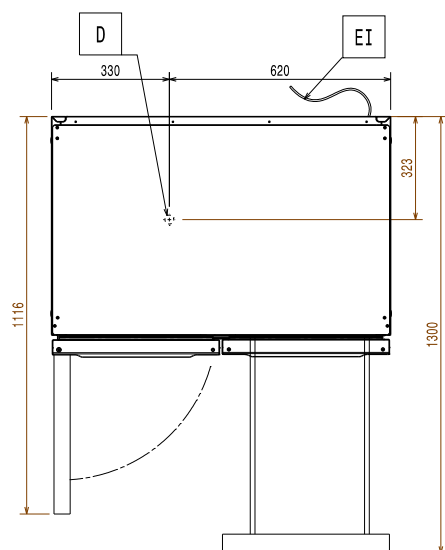


Side



EI = Electrical inlet (power)

Top



Electric

Supply voltage:	220-240 V/1 ph/50 Hz
729619 (ASAL25N04)	
Electrical power max.:	0.22 kW
Plug type:	CE-SCHUKO

Key Information:

Gross capacity:	250 lt
Net Volume:	94 lt
External dimensions, Width:	950 mm
External dimensions, Depth:	700 mm
External dimensions, Height:	809 mm
Internal Dimensions, Width:	870 mm
Internal Dimensions, Depth:	550 mm
Internal Dimensions, Height:	520 mm
Net weight:	85 kg
Shipping volume:	0.76 m ³
Depth with doors open:	1120 mm
Height adjustment:	0/0 mm

Refrigeration Data

Control type:	Digital
Compressor power:	1/4 hp
Refrigeration power at evaporation temperature:	-10 °C
Min/Max internal humidity:	50/70/
Operating temperature min.:	0 °C
Operating temperature max.:	10 °C
Operating mode:	Ventilated

Sustainability

Current consumption:	1.6 Amps
Energy Class (EU Reg. 2015/1094):	D
Yearly and daily energy consumption (EU Reg. 2015/1094):	1100kWh/year - 3kWh/24h
Climate class (EU Reg. 2015/1094):	Normal duty (cl.4)
Energy Efficiency Index-EEI (EU Reg. 2015/1094):	54.19
Refrigerant type:	R290
GWP Index:	3
Refrigeration power:	314 W
Refrigerant weight:	50 g

Digital Undercounter
Compact Refrigerated Counter - 250lt, 4 Drawers no worktop (R290)

The company reserves the right to make modifications to the products without prior notice. All information correct at time of printing.

