

Digital Undercounter Compact Refrigerated Saladette Table - 250lt, 2 Door

ITEM # _____

MODEL # _____

NAME # _____

SIS # _____

AIA # _____



729018 (ASAL25T20)

2-door compact refrigerated counter 250lt, +2+10°C, AISI 304

Short Form Specification

Item No. _____

Constructed entirely in 304 AISI stainless steel. Stainless steel worktop. High-density expanded polyurethane foam, 50 mm in thickness, with cyclopentane injection. Height-adjustable feet. Lower refrigerated compartment designed to accommodate GN 1/1 containers and equipped with N. 2 hinged doors. Built-in refrigeration unit. Ventilated. Refrigerant R134a. Digital control panel. Automatic evaporation of defrost water. Drain outlet. Suitable to operate in ambient temperatures up to +32°C. Temperature range: +2+10°C. CFC and HCFC free.

APPROVAL: _____

Main Features

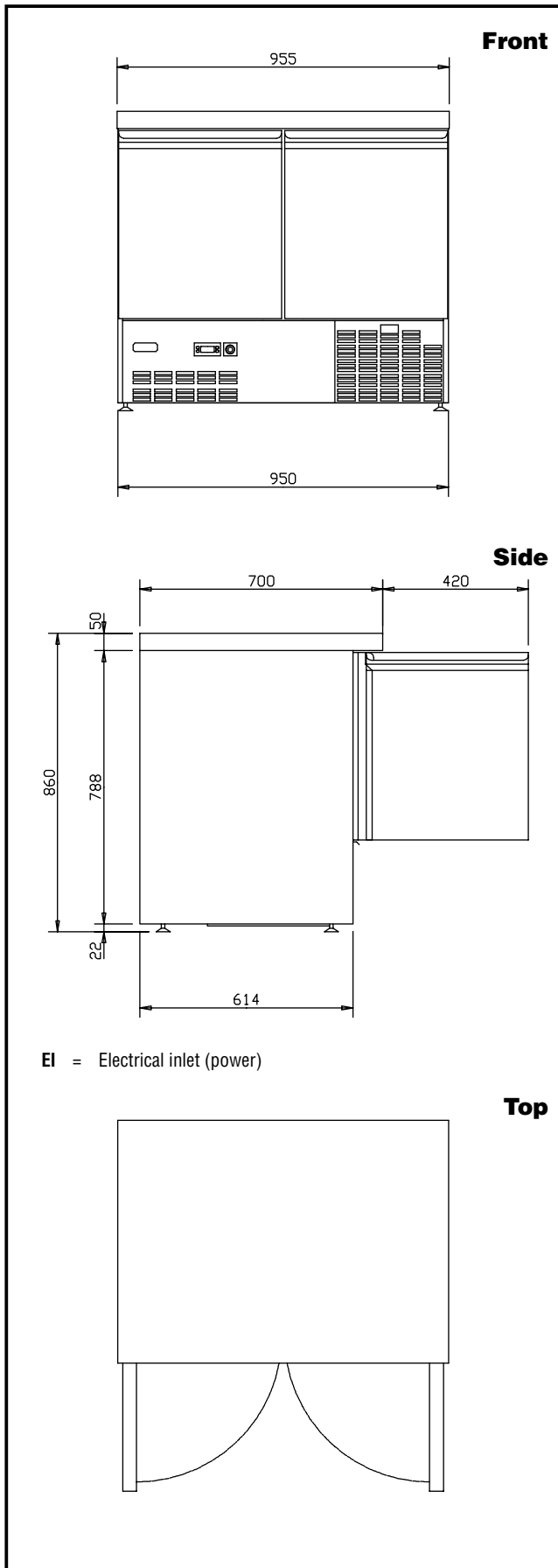
- Suitable for use in ambient temperatures of up to 32 °C.
- Digital control panel.
- 50 mm insulation for energy saving.
- Automatic evaporation of defrost water. Prearrangement for drain outlet.
- Certified safety CE requirements.
- Fully removable cooling unit to facilitate maintenance.
- Frontal and easy access to all components in the cooling unit.
- Hot gas automatic evaporation of defrost water.

Construction

- Mounted on legs with height adjustment.
- Built-in compressor to suit operating conditions.
- Developed and produced in ISO 9001 and ISO 14001 certified factory.
- Interior base with rounded corners, pressed from a single sheet.
- Ease of cleaning and high hygiene standards thanks to the rounded internal corners, the easily removable runners, grids and air conveyors.
- Built-in refrigeration unit.
- Fault code display.

Optional Accessories

- Kit integrated HACCP for digital refrigerators (IR33) PNC 880252
- Kit 4 wheels for 250L refrigerated counter, saladette PNC 880267
- 1/1GN gray rilsan grid PNC 881435
- Kit HACCP EKIS PNC 922166



Electric

Supply voltage:	729018 (ASAL25T20)	220-240 V/1 ph/50 Hz
Electrical power max.:		0.29 kW
Defrost Power:		
Current consumption:		2 Amps
Plug type:		CE-SCHUKO

Key Information:

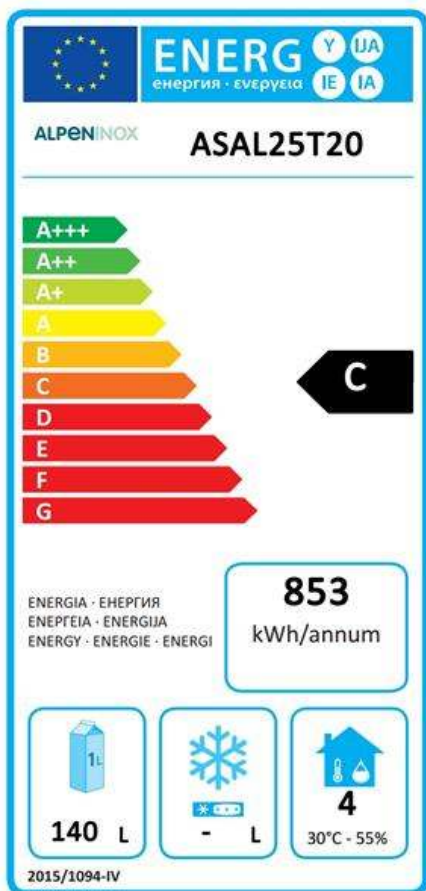
Gross capacity:	250 lt
Net Volume:	140 lt
Door hinges:	
External dimensions, Width:	955 mm
External dimensions, Height:	860 mm
External dimensions, Depth:	700 mm
Internal Dimensions (depth):	550 mm
Internal Dimensions (height):	520 mm
Internal Dimensions (width):	870 mm
Net weight:	82 kg
Shipping volume:	0.75 m ³
Depth with doors open:	1120 mm
Height adjustment:	0/0 mm

Refrigeration Data

Control type:	Digital
Compressor power:	1/5 hp
Refrigerant type:	R134a
GWP Index:	1300
Refrigeration power:	253 W
Refrigeration power at evaporation temperature:	0 °C
Refrigerant weight:	120 g
Min/Max internal humidity:	50/70/
Operating temperature min.:	2 °C
Operating temperature max.:	10 °C
Operating mode:	Ventilated

Product Information (EU Regulation 2015/1094)

Energy Class:	C
Yearly and daily energy consumption:	853kWh/year - 2.34kWh/24h
Climate class:	Normal duty (cl.4)
Energy Efficiency Index (EEI):	39.51



EU energy labelling from 1st July 2016

The European energy labelling scheme for professional refrigerators and freezers is based on requirements setting Minimum Energy Performance standards for commercial refrigeration cabinets sold within the EU. These requirements are designed to drive energy efficiency and environmentally friendly approach for professionals. The European energy labelling scheme will apply to all manufacturers and importers who sell and market products within the EU and it is mandatory across Europe.

Important: all products which consume energy above the minimum level will not be able to be sold within the EU from 1 July 2016.