

CRIO Line CP 1 Door and 2 Drawer Freezer Counter, 265lt - No Top

ITEM # _____

MODEL # _____

NAME # _____

SIS # _____

AIA # _____



712197 (AK2F7AB)

1-door and 2x1/2-drawer
freezer counter, -22-15°C, full
AISI 304 (R290), without work
top

Short Form Specification

Item No. _____

AISI 304 stainless steel panels, AISI 304 bottom panel, AISI 304 back panel.
Full door and N. 2X1/2 drawers. Built-in refrigeration unit. Automatic defrost.
Operating temperature: -15-22°C. R290 gas in refrigeration circuit.
Supplied with 1 grid for each door compartment

Main Features

- Digital control panel with temperature display.
- Forced air circulation for rapid cooling and an even temperature distribution.
- Compliant to CE requirements for safety.
- Anti-tilt runners accept GN1/1 trays and grids.
- Adjustable temperature range from -15°C to -20°C to suit all storage requirements.
- Adjustable temperature range from -15°C to -22°C.
- Equipped with Airflow system: forced air circulation system for rapid cooling and even temperature distribution within the cell.
- 0mm clearance installation space: tower configuration cooling unit guarantee performance with frontal ventilation only; this unique solution allows installation against the wall or side by side with other appliances, even on the cooling unit side to maximize the use of kitchen space.
- Combination of doors and drawers to suit any configuration needed, with the possibility to change the configuration on site. Right cooling unit available on request.
- Mounted on stainless steel feet to give 150 mm (-5/+50 mm) clearance for ease of cleaning the floor.
- Frontal and easy access to all components in the cooling unit.
- Fully compliant HACCP digital control: when temperature exceeds critical limits, acoustic and visual alarms are activated. Up to two months of event are kept in memory.
- Anti-tilt runners accept GN 1/1 containers.
- Self closing stainless steel doors (< 90°).
- Certified safety CE requirements.
- Prearranged to fit RS485 port to facilitate connection to a remote computer and integrated HACCP systems.
- Hot gas automatic evaporation of defrost water.
- Connectivity ready for real time access to connected appliances from remote and data monitoring (requires optional accessory).
- Digital white-digit display with internal temperature display and setting, manual activation of defrost cycle and turbo frost cycle (to rapidly cool warm loads).
- Easy serviceability thanks to the intuitive control panel with access via app.
- Integrated RS485 port to facilitate connection to a remote computer and integrated HACCP systems.
- Tropicalized unit.

Construction

- Access to all components from the front.
- Constructed in Stainless steel with Scotch Brite finish to meet the highest hygiene standards.
- Developed and produced in ISO 9001 and ISO 14001 certified factory.
- Mounted on Stainless steel adjustable legs to give 150 mm clearance for ease of cleaning.
- Rounded internal corners for ease of cleaning.
- 304 AISI stainless steel internal and external doors, front and side panels. Evaporator in aluminium.
- Pre-arranged for drain-pipe.
- Fault code display.
- Interior base with rounded corners, pressed from a single

APPROVAL: _____

sheet.

- Internal and external doors, front and side panels and removable worktop in AISI 304 Stainless steel.
- Ease of cleaning and high hygiene standards thanks to the rounded internal corners, the easily removable runners, grids and air conveyors.
- Internal structure with 15 charging positions (3 cm pitch) available to host GN 1/1 grids, ensuring higher net capacity and a greater storage space.
- Extractable cooling unit to facilitate maintenance.
- IP21 protection index.
- Built-in refrigeration unit.
- Internal dimension of the drawers:
 - models with 2 1/2 drawers: 1st drawer (top drawer) 203x302x521 / 2nd drawer 223x302x521 (HxWxD)
 - models with 3 1/3 drawers: 1st drawer (top drawer) 98x302x521 / 2nd and 3rd drawers 118x302x521 (HxWxD)
 - models with 1/3+2/3 drawers: 1st drawer (top drawer) 98x302x521 / 2nd drawer 333x302x521 (HxWxD)

- Kit 4 wheels, h150mm (2 with brakes) for 2&3 compartment refrigerated counters PNC 881193
- Lock for refrigerator/freezer counters with 2 compartments - h700mm PNC 881242

Sustainability

- CFC and HCFC free, highly ecological refrigerant type: R290 (ecological gas in foam: cyclopentane). Hydrocarbon refrigerant gas R290 for the lowest environmental impact (GWP=3), to reduce green house and ozone depletion effects.
- IQ Defrost - fully automatic defrost starts only when ice is actually building-up in the evaporator and adapts the defrosting duration to guarantee perfect ice removal while optimizing energy efficiency consumption.
- 50 mm insulation thickness for energy saving.
- Removable triple-chamber balloon magnetic gasket to improve insulation and reduce energy consumption and ease of cleaning.
- Fitted with 90 mm thickness of cyclopentane insulation for best insulating performance (thermal conductivity: 0,020 W/m*K) and lowest environmental impact (GWP=3).

Included Accessories

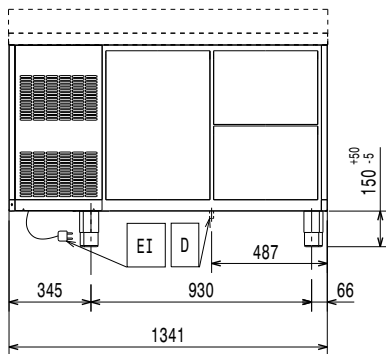
- 1 of Kit 1/1GN gray rilsan grid and 2 side runners for refrigerated counters PNC 881109

Optional Accessories

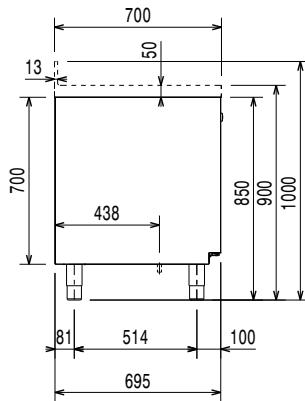
- 2x1/2-drawer kit refrigerated counter PNC 881079
- 3x1/3-drawer kit refrigerated counter PNC 881080
- Worktop for refrigerated Crio Line HP and freezer Crio Line HP, CP and SB counters - 2 compartments PNC 881084
- Worktop and upstand for refrigerated Crio Line HP and freezer Crio Line HP, CP and SB counters - 2 compartments PNC 881087
- 1/1GN gray rilsan grid for refrigerated counters PNC 881107
- 2 side runners for 1/1GN refrigerated counters PNC 881108
- Kit 1/1GN gray rilsan grid and 2 side runners for refrigerated counters PNC 881109
- 1/1GN plastic container, h65mm PNC 881110
- 1/1GN plastic container, h100mm PNC 881111
- 1/1GN plastic container, h150mm PNC 881112
- Kit 4 wheels, h100mm (2 with brakes) for refrigerated counters PNC 881191



Front

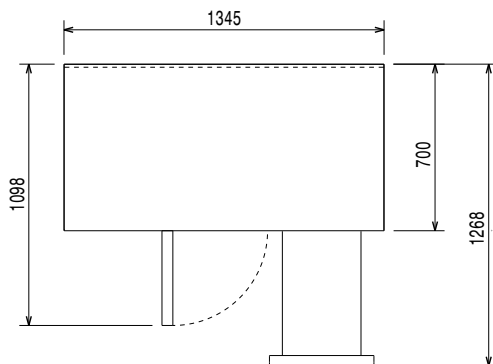


Side



EI = Electrical inlet (power)

Top



Electric

Supply voltage:	712197 (AK2F7AB)	220-240 V/1 ph/50 Hz
Electrical power max.:		0.49 kW
Defrost Power:		0.57 kW
Plug type:		CE-SCHUKO

Key Information:

Gross capacity:	290 lt
Net Volume:	149 lt
Door hinges:	Left Side
External dimensions, Width:	1341 mm
External dimensions, Depth:	700 mm
External dimensions, Height:	850 mm
Internal Dimensions, Width:	798 mm
Internal Dimensions, Depth:	560 mm
Internal Dimensions, Height:	550 mm
Net weight:	117 kg
Shipping volume:	1.08 m ³
Depth with doors open:	1110 mm
Height adjustment:	0/0 mm

Refrigeration Data

Control type:	Digital
Compressor power:	
Refrigeration power at evaporation temperature:	-30 °C
Min/Max internal humidity:	
Operating temperature min.:	-15 °C
Operating temperature max.:	-22 °C
Operating mode:	Ventilated

Sustainability

Current consumption:	3.3 Amps
Energy Class (EU Reg. 2015/1094):	D
Yearly and daily energy consumption (EU Reg. 2015/1094):	2190kWh/year - 6kWh/24h
Climate class (EU Reg. 2015/1094):	Normal duty (cl.4)
Energy Efficiency Index-EEI (EU Reg. 2015/1094):	67,38
Refrigerant type:	R290
GWP Index:	3
Refrigeration power:	569 W
Refrigerant weight:	145 g

EU energy labelling from 1st July 2016

The European energy labelling scheme for professional refrigerators and freezers is based on requirements setting Minimum Energy Performance standards for commercial refrigeration cabinets sold within the EU. These requirements are designed to drive energy efficiency and environmentally friendly approach for professionals. The European energy labelling scheme will apply to all manufacturers and importers who sell and market products within the EU and it is mandatory across Europe. Important: all products which consume energy above the minimum level will not be able to be sold within the EU from 1 July 2016.

SI 2020 No. 1528.

Important: all products which consume energy above the minimum level will not be able to be sold within the EU from 1 July 2016.

