

CRIO Line CP 4 Door Refrigerated Counter, 560lt - No Top (R290)

ITEM # _____

MODEL # _____

NAME # _____

SIS # _____

AIA # _____



721080 (AK4R7AAAA)

4-door refrigerated counter, -2+10°C, AISI 304, without worktop (R290)

Short Form Specification

Item No. _____

Internal and external doors, front and side panels in 304 AISI stainless steel. No worktop. N.4 doors. Built-in refrigeration unit. Ventilated. Refrigerant R290. Extra insulation: 90mm body insulation to minimize energy dispersion. Digital control panel. Completely automatic defrosting and automatic evaporation of defrost water obtained by hot gas. Temperature range: -2+10°C. CFC and HCFC free. Feet in 304 AISI stainless steel, adjustable in height.

Supplied with n.4x1/1GN Rilsan grids.

Main Features

- Adjustable temperature range from -2 °C to +10 °C to suit meat, fish and dairy storage requirements.
- Large digital white-digit display with humidity selection button (3 preset level), internal temperature display and setting, manual activation of defrost cycle and turbo frost cycle (to rapidly cool warm loads).
- Equipped with Airflow system: forced air circulation system for rapid cooling and even temperature distribution within the cell.
- Tropicalized unit (43°C ambient temperature).
- Fitted with 90 mm thickness of cyclopentane insulation for best insulating performance (thermal conductivity: 0,020 W/m*K) and lowest environmental impact (GWP=3).
- 0mm clearance installation space: tower configuration cooling unit guarantee performance with frontal ventilation only; this unique solution allows installation against the wall or side by side with other appliances, even on the cooling unit side to maximize the use of kitchen space.
- IQ Defrost - fully automatic defrost starts only when ice is actually building-up in the evaporator and adapts the defrosting duration to guarantee perfect ice removal while optimizing energy efficiency consumption.
- Combination of doors and drawers to suit any configuration needed, with the possibility to change the configuration on site. Right cooling unit available on request.
- Frontal and easy access to all components in the cooling unit.
- Fully compliant HACCP digital control: when temperature exceeds critical limits, acoustic and visual alarms are activated. Up to two months of event are kept in memory.
- Anti-tilt runners accept GN 1/1 containers.
- Self closing stainless steel doors (< 90°).
- Certified safety CE requirements.
- Prearranged to fit RS485 port to facilitate connection to a remote computer and integrated HACCP systems.
- Hot gas automatic evaporation of defrost water.
- CFC and HCFC free (highly ecological refrigerant type: R290).
- CFC and HCFC free, highly ecological refrigerant type: R290 (ecological gas in foam: cyclopentane). Hydrocarbon refrigerant gas R290 for the lowest environmental impact (GWP=3), to reduce green house and ozone depletion effects.

Construction

- 4 compartments with 4 doors.
- Interior base with rounded corners, pressed from a single sheet.
- Ease of cleaning and high hygiene standards thanks to the rounded internal corners, the easily removable runners, grids and air conveyors.
- Removable triple-chamber balloon magnetic gasket to improve insulation and reduce energy consumption and ease of cleaning.
- Internal structure with 15 charging positions (3 cm pitch) available to host GN 1/1 grids, ensuring higher net capacity and a greater storage space.
- Mounted on stainless steel feet to give 150 mm (-5/+50 mm) clearance for ease of cleaning the floor.
- Built-in refrigeration unit.

APPROVAL: _____

- Developed and produced in ISO 9001 and ISO 14001 certified factory.
- Fault code display.
- Extractable cooling unit to facilitate maintenance.
- IP21 protection index.

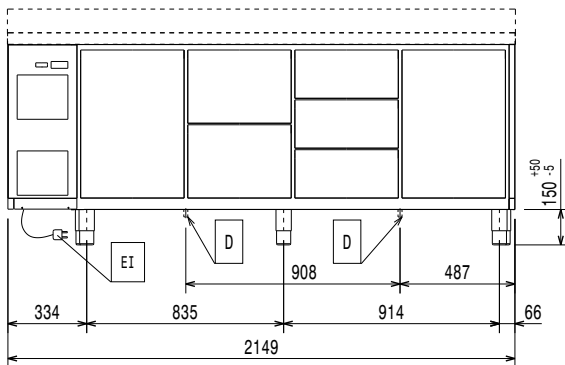
Included Accessories

- 4 of Kit 1/1GN gray rilsan grid and 2 side runners for refrigerated counters PNC 881109

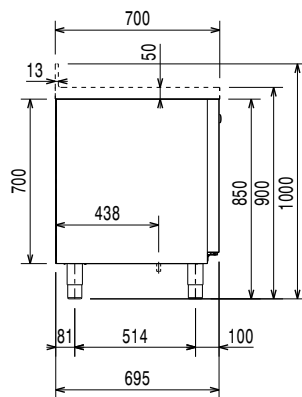
Optional Accessories

- 2x1/2-drawer kit refrigerated counter PNC 881079
- 3x1/3-drawer kit refrigerated counter PNC 881080
- 1/3 and 2/3 bottle drawer kit for refrigerated counters PNC 881081
- 1/1GN gray rilsan grid for refrigerated counters PNC 881107
- 2 side runners for 1/1GN refrigerated counters PNC 881108
- Kit 1/1GN gray rilsan grid and 2 side runners for refrigerated counters PNC 881109
- 1/1GN plastic container, h65mm PNC 881110
- 1/1GN plastic container, h100mm PNC 881111
- 1/1GN plastic container, h150mm PNC 881112
- Worktop for refrigerated Crio Line CP and SB counters - 4 compartments PNC 881126
- Worktop and upstand for refrigerated Crio Line CP and SB counters - 4 compartments PNC 881129
- Kit 5 wheels, h100mm (3 with brakes) for 4 compartment refrigerated counters PNC 881192
- Kit 5 wheels, h150mm (2 with brakes) for 4 compartment refrigerated counters PNC 881194
- Lock for refrigerated counters with 4 compartments PNC 881244

Front

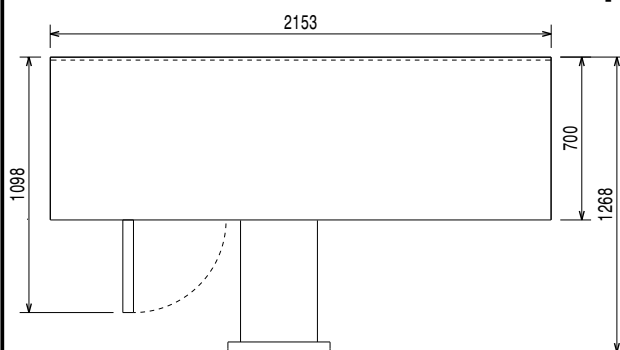


Side



EI = Electrical inlet (power)

Top



Electric

| | | |
|------------------------|--------------------|----------------------|
| Supply voltage: | 721080 (AK4R7AAAA) | 220-240 V/1 ph/50 Hz |
| Electrical power max.: | | 0.27 kW |
| Defrost Power: | | 0.22 kW |

Key Information:

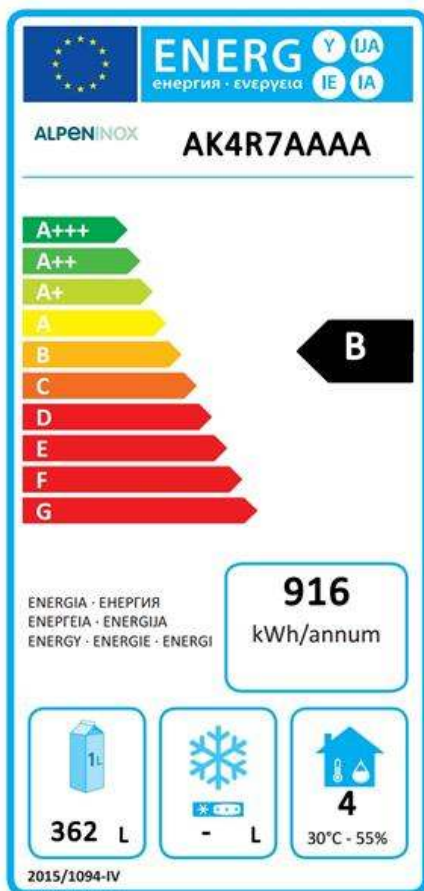
| | |
|-------------------------------|---------------------|
| Net Volume: | 362 lt |
| Door hinges: | |
| External dimensions, Width: | 2149 mm |
| External dimensions, Height: | 850 mm |
| External dimensions, Depth: | 700 mm |
| Internal Dimensions (depth): | 560 mm |
| Internal Dimensions (height): | 550 mm |
| Internal Dimensions (width): | 1706 mm |
| Net weight: | 130 kg |
| Shipping volume: | 1.78 m ³ |
| Depth with doors open: | 1110 mm |

Refrigeration Data

| | |
|---|------------|
| Control type: | Digital |
| Compressor power: | 1/4 hp |
| Refrigerant type: | R290 |
| GWP Index: | 3 |
| Refrigeration power: | 358 W |
| Refrigeration power at evaporation temperature: | -10 °C |
| Refrigerant weight: | 65 g |
| Min/Max internal humidity: | 40/85 |
| Operating temperature min.: | -2 °C |
| Operating temperature max.: | 10 °C |
| Operating mode: | Ventilated |

Product Information (EU Regulation 2015/1094)

| | |
|--------------------------------------|---------------------------|
| Energy Class: | B |
| Yearly and daily energy consumption: | 916kWh/year - 2.51kWh/24h |
| Climate class: | Normal duty (cl.4) |
| Energy Efficiency Index (EEI): | 33,75 |



EU energy labelling from 1st July 2016

The European energy labelling scheme for professional refrigerators and freezers is based on requirements setting Minimum Energy Performance standards for commercial refrigeration cabinets sold within the EU. These requirements are designed to drive energy efficiency and environmentally friendly approach for professionals. The European energy labelling scheme will apply to all manufacturers and importers who sell and market products within the EU and it is mandatory across Europe.

Important: all products which consume energy above the minimum level will not be able to be sold within the EU from 1 July 2016.