

160 Line 1 Door Undercounter Refrigerator (+2/+10)

ITEM # _____

MODEL # _____

NAME # _____

SIS # _____

AIA # _____



729000 (ARUCR16X1)

1-door undercounter refrigerator 160lt, +2/+10°C, prepainted grey with stainless steel door

729003 (ARUCR16W1)

1-door undercounter refrigerator 160lt, +2/+10°C, prepainted white

Short Form Specification

Item No. _____

430 AISI stainless steel reversible door with lock. Top in grey ABS. Grey painted external sides. Interior in white High Impact Polystyrene with 30mm insulation. Inner cell with rounded corners. Door with removable "balloon" gasket. Built-in refrigeration unit; ventilated operating mode; automatic defrost; automatic evaporation of defrost water; electro-mechanical control; external digital temperature display; internal light. Temperature range +2°/+10°C at 43°C ambient temperature. CFC and HCFC free insulation. R134a gas in refrigeration circuit. Gas in foam: Cyclopentane. IP23 protection. Supplied with n.3 rilsan grids.

Main Features

- Certified safety CE requirements.
- Internal light and lockable door.
- Refrigerators models have operating temperatures that can be adjusted from +2 to +10 °C to suit both meat and dairy storage requirements.
- Very quiet operation: noise level less than 45 dB (A).
- Temperature display.
- Automatic defrost and automatic evaporation of defrost water.
- Shelf runners are thermoformed and are incorporated in the internal structure to be easily cleanable.
- Compact cooling unit easily accesible from the rear of the appliance.
- Model requires only 1 phase 230V supply and can be plugged straight into an existing power socket.

Construction

- Interior base with rounded corners, pressed from a single sheet.
- Ease of cleaning and high hygiene standards thanks to the rounded internal corners, the easily removable runners, grids and air conveyors.
- Internal structure with 15 charging positions (3 cm pitch) available to host GN 1/1 grids, ensuring higher net capacity and a greater storage space.
- Built-in refrigeration unit.
- Interior cell is completely in white High Impact Polystyrene and has no joints to eliminate dirt traps.
- The rounded internal corners, the easily removable grids allow for ease of cleaning and high hygiene standards.
- 30 mm thick insulation with cyclopentane injection for long-term insulation and energy saving.
- CFC and HCFC-free insulation.
- Refrigerant type: R134a.
- IP23 protection index.
- Reversible door.
- Removable triple-chamber balloon magnetic gasket to improve insulation and reduce energy consumption and ease of cleaning.
- Internal structure with numerous charging positions available to host grids, ensuring higher net capacity and a greater storage space.
- Internal and external doors, front and side panels and removable worktop in AISI 304 Stainless steel.
- External bottom panel in stainless steel.
- External back panel in galvanized steel.
- Developed and produced in ISO 9001 and ISO 14001 certified factory.
- Fault code display.

Included Accessories

- 1 of Set of 3 grids for 160lt undercounter refrigerator, prepainted grey (only for 729000)

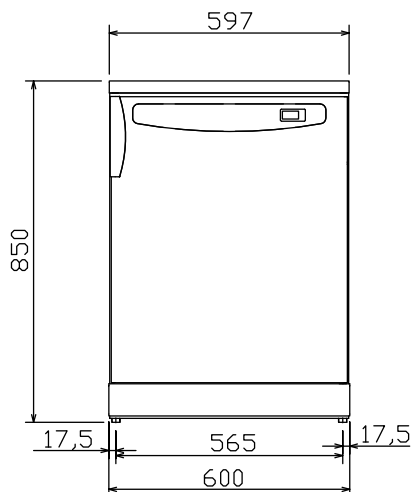
Optional Accessories

APPROVAL: _____

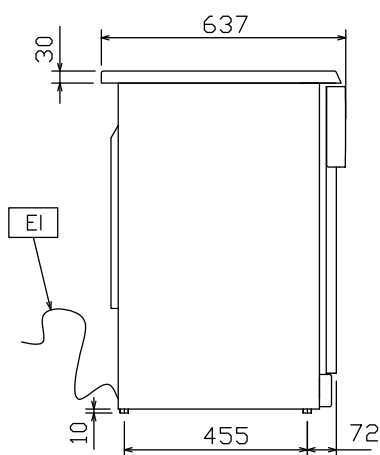
- Rear wheel kit for 160L for free-standing refrigerator and freezer PNC 880143
- Stacking kit for 160L undercounter gray painted refrigerator (only for 729000) PNC 880146
- Stacking kit for 160L undercounter white painted refrigerator (only for 729003) PNC 880148



Front

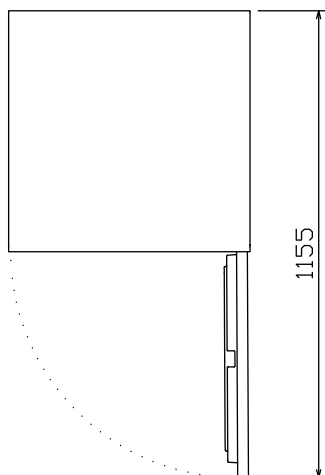


Side



EI = Electrical inlet (power)

Top



Electric

Supply voltage:	
729000 (ARUCR16X1)	220-240 V/1 ph/50 Hz
729003 (ARUCR16W1)	220-240 V/1 ph/50 Hz
Electrical power max.:	0.13 kW
Defrost Power:	
Current consumption:	0.9 Amps
Plug type:	CE-SCHUKO
Energy consumption (min,default):	1 - 2.2 kW/h

Key Information:

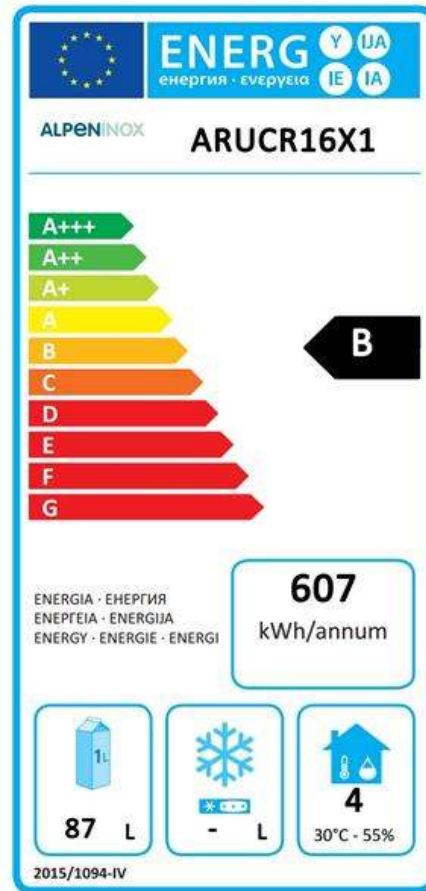
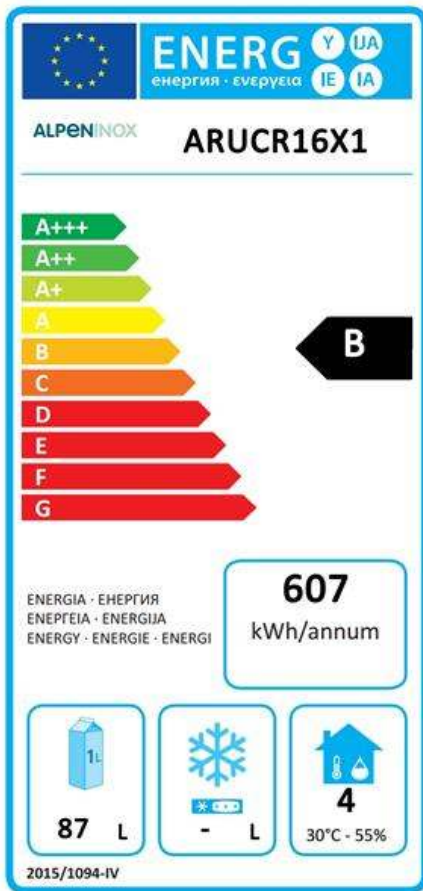
Gross capacity:	165 lt
Net Volume:	87 lt
Door hinges:	
External dimensions, Width:	
729000 (ARUCR16X1)	595 mm
729003 (ARUCR16W1)	600 mm
External dimensions, Height:	850 mm
External dimensions, Depth:	
729000 (ARUCR16X1)	620 mm
729003 (ARUCR16W1)	637 mm
Number and type of doors:	1 Full
Internal Dimensions (depth):	470 mm
Internal Dimensions (height):	657 mm
Internal Dimensions (width):	544 mm
Net weight:	38.25 kg
Shipping volume:	0.46 m ³
Height adjustment:	0/10 mm
Number and type of grids (included):	3 -

Refrigeration Data

Control type:	Mechanical
Compressor power:	5.7 hp
Refrigerant type:	R134a
GWP Index:	1300
Refrigeration power:	163 W
Refrigeration power at evaporation temperature:	-12 °C
Refrigerant weight:	65 g
Min/Max internal humidity:	
Operating temperature min.:	2 °C
Operating temperature max.:	10 °C
Operating mode:	Ventilated

Product Information (EU Regulation 2015/1094)

Energy Class:	B
Yearly and daily energy consumption:	607kWh/year - 2kWh/24h
Climate class:	Normal duty (cl.4)
Energy Efficiency Index (EEI):	30,18
Type of model:	counter chilled



EU energy labelling from 1st July 2016

The European energy labelling scheme for professional refrigerators and freezers is based on requirements setting Minimum Energy Performance standards for commercial refrigeration cabinets sold within the EU. These requirements are designed to drive energy efficiency and environmentally friendly approach for professionals. The European energy labelling scheme will apply to all manufacturers and importers who sell and market products within the EU and it is mandatory across Europe.

Important: all products which consume energy above the minimum level will not be able to be sold within the EU from 1 July 2016.