

Saladette 2 Doors Mini-Saladette, 250lt - with Lid and Chopping board (R290)

ITEM # _____

MODEL # _____

NAME # _____

SIS # _____

AIA # _____



729616 (ASAL25L2C9)

2-door refrigerated saladette
with lid and chopping board
250L, +2+10°C, (R290), AISI
304

Short Form Specification

Item No.

Constructed entirely in 304 AISI stainless steel. High-density expanded polyurethane foam, 50 mm in thickness, with cyclopentane injection. Height-adjustable feet. Hinged lid on top. Lower refrigerated compartment designed to accommodate GN 1/1 containers and equipped with N. 2 hinged doors. Built-in refrigeration unit. Ventilated. Refrigerant R290. Digital control panel. Automatic evaporation of defrost water. Drain outlet. Suitable to operate in ambient temperatures up to +43°C. Temperature range: +2+10° C. CFC and HCFC free.

Supplied with n.9 horizontal container supports and n.1 non-toxic plastic chopping board.

Main Features

- Adjustable temperature range from 2 °C to 10 °C to suit meat, fish and dairy storage requirements.
- Tropicalized unit (43°C ambient temperature).
- Forced air circulation for rapid cooling and an even temperature distribution.
- Automatic evaporation of defrost water. Prearrangement for drain outlet.
- Connectivity ready for real time access to connected appliances from remote and data monitoring (requires optional accessory).
- Digital control panel.
- Equipped with hinged lid for non-operating periods.
- Anti-tilt runners accept GN 1/1 containers.
- A kit of wheels is available as optional accessory for easier movement.

Construction

- IPX3 protected.
- Access to all components from the front.
- Built-in compressor to suit operating conditions.
- Constructed from AISI 304 Stainless steel throughout to meet the highest hygiene standards.
- Developed and produced in ISO 9001 and ISO 14001 certified factory.
- Mounted on legs with height adjustment.
- Rounded internal corners for ease of cleaning.
- Adjustable feet 66-88 mm (see optional accessory).

Sustainability

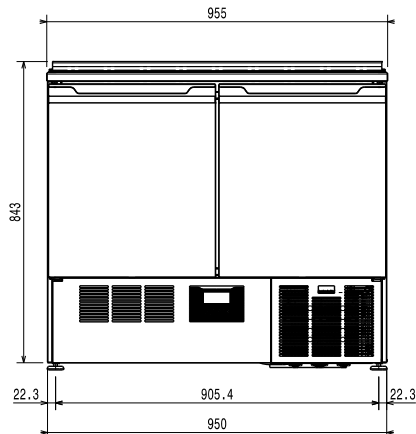
- CFC and HCFC free, highly ecological refrigerant type: R290 (ecological gas in foam: cyclopentane). Hydrocarbon refrigerant gas R290 for the lowest environmental impact (GWP=3), to reduce green house and ozone depletion effects.
- 50 mm insulation for energy saving.

Optional Accessories

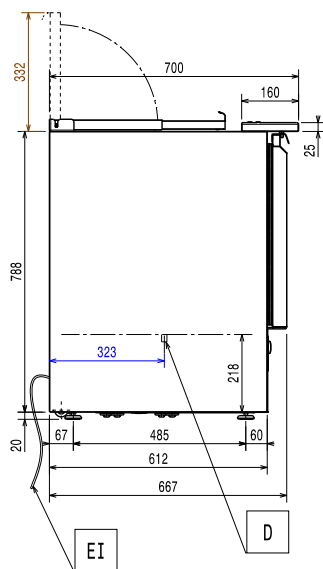
- Kit integrated HACCP for digital refrigerators (IR33) PNC 880252
- Kit 4 wheels for 250L refrigerated counter, saladette PNC 880267
- Feet to reach 900mm height for 250lt saladette PNC 881254
- 1/1GN gray rilsan grid PNC 881435

APPROVAL: _____

Front

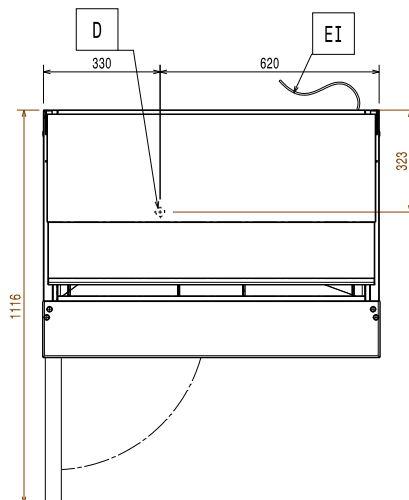


Side



EI = Electrical inlet (power)

Top



Electric

Supply voltage:	729616 (ASAL25L2C9)	220-240 V/1 ph/50 Hz
Electrical power max.:		0.22 kW
Plug type:		CE-SCHUKO

Key Information:

Gross capacity:	250 lt
Net Volume:	140 lt
N° of doors:	2
External dimensions, Width:	950 mm
External dimensions, Depth:	700 mm
External dimensions, Height:	863 mm
Internal Dimensions, Width:	870 mm
Internal Dimensions, Depth:	550 mm
Internal Dimensions, Height:	520 mm
Net weight:	64 kg
Shipping volume:	0.74 m ³
Depth with doors open:	1120 mm
Height adjustment:	0/0 mm

Refrigeration Data

Control type:	Digital
Compressor power:	1/4 hp
Refrigeration power at evaporation temperature:	-10 °C
Min/Max internal humidity:	50/70/
Operating temperature min.:	0 °C
Operating temperature max.:	10 °C
Operating mode:	Ventilated

Sustainability

Current consumption:	1.6 Amps
Refrigerant type:	R290
GWP Index:	3
Refrigeration power:	314 W
Refrigerant weight:	50 g

Saladette
2 Doors Mini-Saladette, 250lt - with Lid and Chopping board (R290)

The company reserves the right to make modifications to the products without prior notice. All information correct at time of printing.