



Food slicers 300 mm Gravity Slicer, belt transmission

ITEM # _____

MODEL # _____

NAME # _____

SIS # _____

AIA # _____



600521 (DMSG30B)

Gravity slicer 300mm, belt transmission (230V; 1+N; 50)

Short Form Specification

Item No. _____

Medium duty slicer for Hotel and Catering

Base and main components in high polished satin finished anodized aluminium for long lasting, hygiene and ease of cleaning. The blade is in chrome force steel with blade guard ring for added protection. Model equipped with cut thickness adjusting knob, top mounted sharpener, cover blade and product deflector - easily removable for cleaning. Ventilated blade drive motor. Poly V-belt drive system for quiet operation and economical service. Removable carriage system permanently lubricated with automatic clutch. IP42 water protection.

Supplied with blade removal tool.

Main Features

- Manual gravity slicer.
- Cut thickness-adjusting knob (millimeter adjustment).
- Belt driven transmission.
- Ventilated blade drive motor designed for continuous use, with Poly V-belt drive system for quiet operation and economical service.
- Removable carriage system permanently lubricated with automatic clutch.
- Top-mounted stone blade sharpener and cover blade easy to remove.
- Supplied with blade removal tool.
- Highest degree of safety in functioning, cleaning and maintenance.
- Cutting capacity for 300 mm model:
 - square: 190x190 mm
 - rectangular: 250x190 mm
 - round: 220 mm
- Slice thickness from 0 to 15 mm.

Construction

- Compact design.
- Made in high polished satin finished anodized aluminium. This procedure guarantees high hygienic standards of the parts interested by the cut and resistance to acids, salts and oxidation processes.
- Plexiglass safety hand guard as standard.
- IP42 water protection.
- The blade is made of chrome forged steel with blade guard ring for added protection.

Optional Accessories

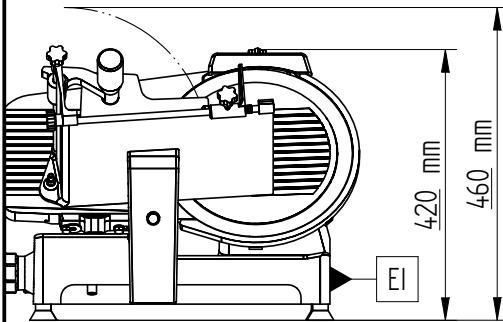
- 300 mm cheese blade for gravity belt slicer PNC 653139

APPROVAL: _____

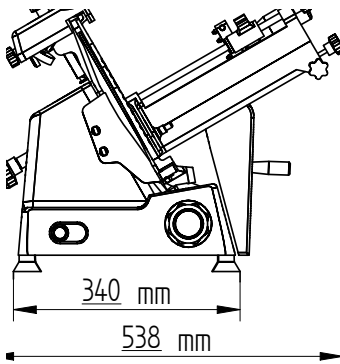


Food slicers 300 mm Gravity Slicer, belt transmission

Front

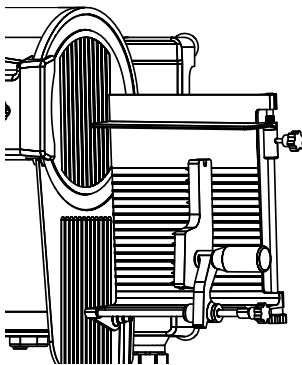


Side



EI = Electrical inlet (power)

Top



Electric

Supply voltage:

600521 (DMSG30B)

230 V/1N ph/50 Hz

Total Watts:

0.19 kW

Key Information:

External dimensions, Width:	620 mm
External dimensions, Depth:	510 mm
External dimensions, Height:	450 mm
Net weight (kg):	30

Food slicers
300 mm Gravity Slicer, belt transmission

The company reserves the right to make modifications to the products without prior notice. All information correct at time of printing.

2022.05.06

