



Food Processor PREP4YOU Cutter Mixer 3,6 Lt - Single Speed - UK plug

ITEM # _____

MODEL # _____

NAME # _____

SIS # _____

AIA # _____



600966 (DK36G)

Cutter mixer 3.6 lt with stainless steel bowl, 1500 rpm, UK plug

Short Form Specification

Item No. _____

Table top cutter mixer. 3,6 litres, stainless steel bowl with scraper and central feed hole for adding products in mid-cycle. Transparent copolyester lid. Microtoothed blade rotor. Angled blades and conical base of the bowl ensure consistent mixing. All ingredients are processed evenly and quickly thanks to a special flow generated inside the bowl. No-volt release system prevents accidental start of the appliance. All parts in contact with food are removable and Dishwasher safe. Waterproof, easy to clean, flat, soft-touch buttons. Single speed 1500 rpm with on/pulse/off function for simple operations. With UK plug.

Main Features

- Tabletop cutter mixer and emulsifier allowing fast chopping, mixing, mincing, griding, liquidizing and kneading.
- Bowl/lid scraper included for uniform smooth results (emulsifying) and continuous working.
- Transparent lid, with funnel shaped hole, to add ingredients during use.
- All ingredients are processed evenly and quickly thanks to a special movement generated inside the bowl.
- Easy to clean and waterproof control panel with flat on/off button and pulse function.
- Pulse function for coarse chopping.
- All parts in contact with food are removable without the use of tools, completely dismountable and dishwasher safe.
- Productivity up to 50 settings per service.
- Includes 3,6 liter stainless steel bowl with micro-toothed blades rotor.

Construction

- 1 speed: 1.500 rpm.
- Power: 500 Watts.
- Bowl in AISI 304 stainless steel.
- Micro-toothed blades in 420 AISI stainless steel and ergonomic scraper in resistant composite material to ensure consistent mixing.
- compact design, easy to move and store.
- IPX5 (IP55) waterproof, flat, touch-control panel.
- Main switch ON/OFF on the back of the appliance.
- Asynchronous industrial motor with no brushes for high reliability and quiet functioning, stainless steel motor shaft.
- Food safety assured in accordance to European directives and UK legislation. In addition, materials in contact with food, are BPA-free.
- Product safety conform to European directives, UK legislation and international health and safety standards.

APPROVAL: _____



Food Processor PREP4YOU Cutter Mixer 3,6 Lt - Single Speed - UK plug

Included Accessories

- 1 of Transparent lid for 3,6lt cutter mixer bowl PNC 650118
- 1 of Microtoothed blade rotor for 3.6lt Cutter Mixer PNC 650233
- 1 of Stainless steel bowl for 3.6lt Cutter Mixer PNC 650235
- 1 of Scraper for 3.6lt Cutter Mixer bowl PNC 650236

Optional Accessories

- Transparent lid for 2,6lt cutter mixer bowl PNC 650117
- Transparent lid for 3,6lt cutter mixer bowl PNC 650118
- Stainless steel bowl for 3,6lt Cutter Mixer, microtoothed rotor, lid with scraper PNC 650145
- Microtoothed blade rotor for 2.6lt Cutter Mixer PNC 650226
- Smooth blade rotor for 2.6lt Cutter Mixer PNC 650227
- Stainless steel bowl for 2,6lt Cutter Mixer PNC 650228
- Transparent copolyester bowl for 2,6lt Cutter Mixer PNC 650229
- Scraper for 2.6lt Cutter Mixer bowl PNC 650230
- Stainless steel bowl for 2,6lt Cutter Mixer, microtoothed rotor, lid with scraper PNC 650231
- Microtoothed blade rotor for 3.6lt Cutter Mixer PNC 650233
- Smooth blade rotor for 3.6lt Cutter Mixer PNC 650234
- Stainless steel bowl for 3.6lt Cutter Mixer PNC 650235
- Scraper for 3.6lt Cutter Mixer bowl PNC 650236
- Transparent bowl for 2,6lt cutter mixer, microtoothed rotor, lid with scraper PNC 650245



Food Processor
PREP4YOU Cutter Mixer 3,6 Lt - Single Speed - UK plug

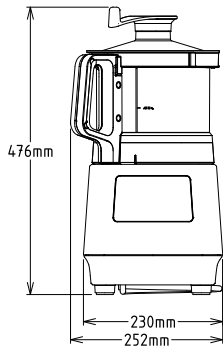
The company reserves the right to make modifications to the products without prior notice. All information correct at time of printing.

2023.01.31

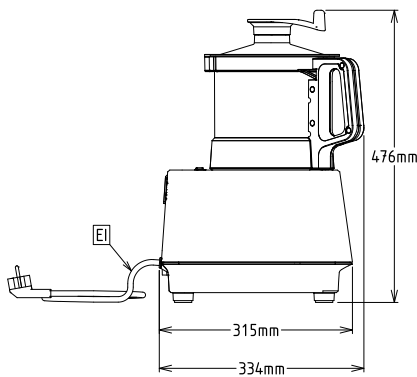


Food Processor PREP4YOU Cutter Mixer 3,6 Lt - Single Speed - UK plug

Front

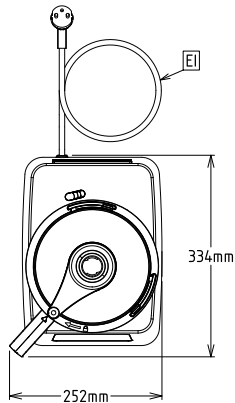


Side



EI = Electrical inlet
(power)

Top



Electric

Supply voltage:

600966 (DK36G)

220-240 V/1N ph/50 Hz

Electrical power max.:

0.5 kW

Total Watts:

0.5 kW

Capacity:

Performance (up to):

Capacity:

Key Information:

External dimensions,

Width:

252 mm

External dimensions,
Depth:

334 mm

External dimensions,
Height:

476 mm

Shipping weight:

15.6 kg

Meat mincing capacity:

0 kg

Mayonnaise preparation
capacity:

0 kg

Pastry preparation
capacity:

0 kg

Food Processor
PREP4YOU Cutter Mixer 3,6 Lt - Single Speed - UK plug

The company reserves the right to make modifications to the products
without prior notice. All information correct at time of printing.



2023.01.31