



Dough Mixers 25 liter Fork Kneader with Flat Panel

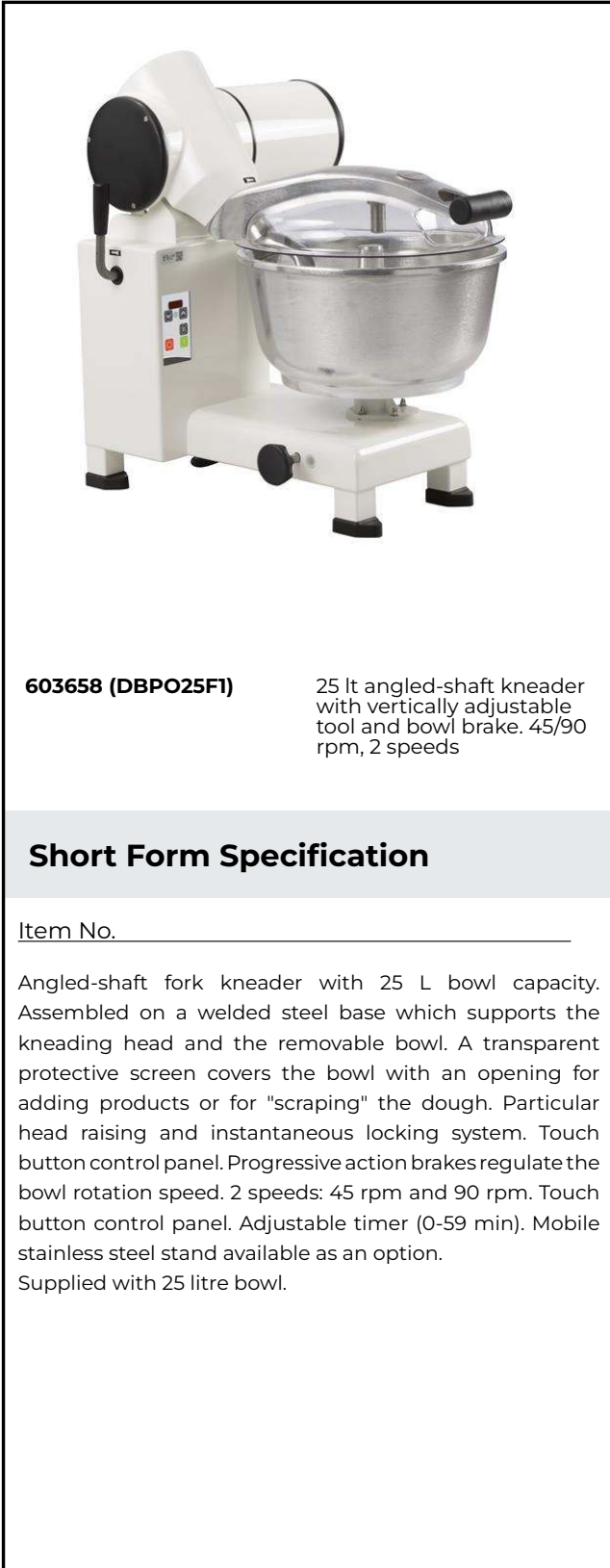
ITEM # _____

MODEL # _____

NAME # _____

SIS # _____

AIA # _____



603658 (DBPO25F1)

25 Lt angled-shaft kneader with vertically adjustable tool and bowl brake. 45/90 rpm, 2 speeds

Short Form Specification

Item No. _____

Angled-shaft fork kneader with 25 L bowl capacity. Assembled on a welded steel base which supports the kneading head and the removable bowl. A transparent protective screen covers the bowl with an opening for adding products or for "scraping" the dough. Particular head raising and instantaneous locking system. Touch button control panel. Progressive action brakes regulate the bowl rotation speed. 2 speeds: 45 rpm and 90 rpm. Touch button control panel. Adjustable timer (0-59 min). Mobile stainless steel stand available as an option. Supplied with 25 litre bowl.

Main Features

- Welded steel base to support kneading head and removable aluminum bowl.
- Suitable to be fitted on a solid sound-deadening support or on a mobile stainless steel stand, available as optional accessory.
- Suitable to knead from 2 to 8 kg of flour (3-15 kg of dough) per cycle.
- Transparent protective screen covering the bowl has an opening to add products or to remove residual dough.
- Touch button control panel.
- Instantaneous locking system.
- Removable aluminum bowl.

Construction

- Angled-shaft fork kneader with 25 lt bowl capacity
- 2 speeds (45 and 90 rpm) controlled by progressive action brakes.
- Power: 800 watts.
- IP23 protection index.

Included Accessories

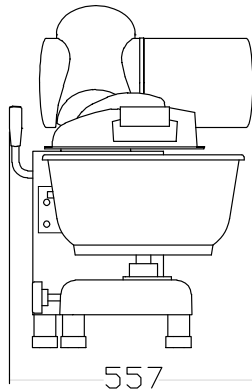
- 1 of 25 Lt bowl for BPO25 PNC 653121

Optional Accessories

- Stainless steel mobile stand. PNC 653017
Height: 730 mm for BPO models
- 25 Lt bowl for BPO25 PNC 653121

APPROVAL: _____

Front



Electric

Supply voltage:

603658 (DBPO25F1)

200-240 V/1N ph/50/60 Hz

Total Watts:

0.75 kW

Key Information:

**External dimensions,
Width:**

557 mm

**External dimensions,
Depth:**

736 mm

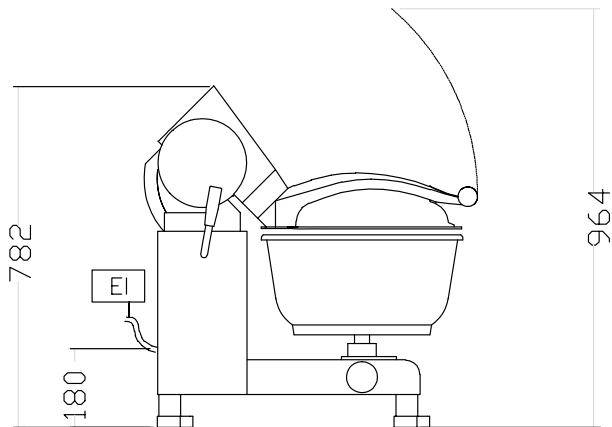
**External dimensions,
Height:**

782 mm

Shipping weight:

95 kg

Side



EI = Electrical inlet
(power)

Top

