



Food Processor Cutter Mixer 3.5 LT - 2 Speed

ITEM # _____
 MODEL # _____
 NAME # _____
 SIS # _____
 AIA # _____



603824 (DK35Y3)

Cutter mixer 3,5 lt capacity, 2 speeds 1500-3000 rpm. Supplied with finely toothed blade rotor and stainless steel bowl

Short Form Specification

Item No. _____

Robust cutter for liquidising, mixing and mincing in a matter of seconds. AISI 302 stainless steel 3,5 litre bowl. Lid incorporates opening to add ingredients in mid-cycle. Transparent cover incorporates a magnetic contact safety system. Finely toothed blade rotor. Angled blades and conical base of the bowl ensure consistent mixing. Parts in contact with food are removable and dw safe. 2 speed rotor: 1500-3000 rpm. UK plug

Main Features

- Robust cutter allows fast liquidizing, mixing, mincing and chopping.
- Angled blades and conical base of the bowl ensure consistent mixing.
- Lid with central opening to add ingredients in mid-cycle.
- Delivered with:
- 3,5 lt stainless steel bowl with finely toothed blades rotor
- Parts in contact with food are removable and dishwasher safe.
- Pulse function to coarse chopping.
- Productivity suitable for 10-50 meals per service.

Construction

- 302 AISI stainless steel bowl is positioned on the central shaft. Bowl supplied with a leak resistant spout.
- 2 speed motor: 1.500-3.000 rpm.
- Transparent lid incorporates a magnetic contact safety system.

Included Accessories

- 1 of Finely toothed blade rotor for 3,5 lt cutter mixer PNC 653028
- 1 of Stainless steel bowl for 3,5 lt cutter mixer PNC 653096

Optional Accessories

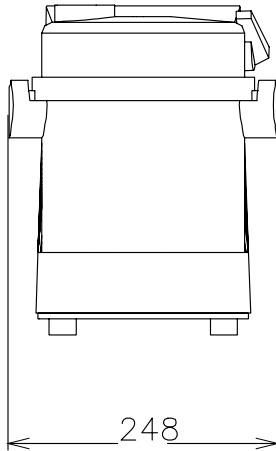
- Finely toothed blade rotor for 3,5 lt cutter mixer PNC 653028
- Smooth blade rotor for 3,5 lt cutter mixer PNC 653029
- Stainless steel bowl for 3,5 lt cutter mixer PNC 653096

APPROVAL: _____

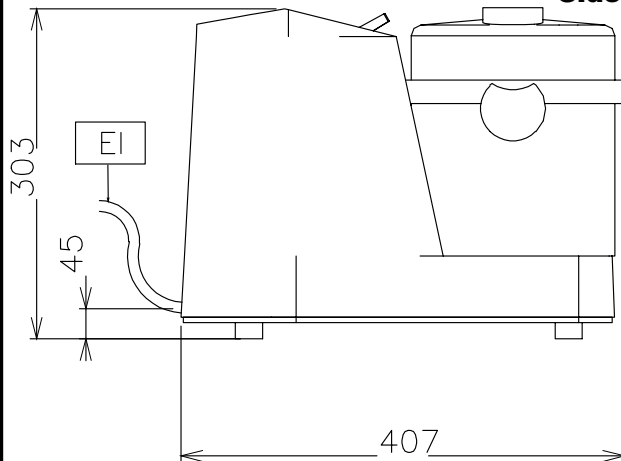


Food Processor Cutter Mixer 3.5 LT - 2 Speed

Front

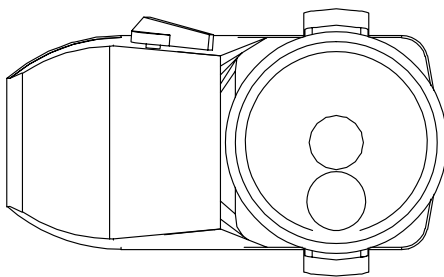


Side



EI = Electrical inlet (power)

Top



Electric

Supply voltage:

603824 (DK35Y3)

380-415 V/3 ph/50 Hz

Electrical power max.:

0.5 kW

Total Watts:

0.5 kW

Capacity:

Performance (up to):

1.8 - kg/Cycle

Capacity:

3.5 litres

Key Information:

External dimensions, Width:

247 mm

External dimensions, Height:

303 mm

External dimensions, Depth:

407 mm

Shipping weight:

17 kg



Food Processor
Cutter Mixer 3.5 LT - 2 Speed

The company reserves the right to make modifications to the products without prior notice. All information correct at time of printing.

2021.02.18