



# Vegetable Slicer TRK55 Cutter Slicer - 5.5 LT - Variable Speed

ITEM # \_\_\_\_\_

MODEL # \_\_\_\_\_

NAME # \_\_\_\_\_

SIS # \_\_\_\_\_

AIA # \_\_\_\_\_



**600434 (DTRK55Y)**

Combined cutter/  
vegetable slicer, variable  
speed 300 to 3700 rpm.  
Supplied with 5,5 lt  
stainless steel cutter bowl  
and lever operated feed  
hopper

positioned. Asynchronous industrial motor for heavy duty and longer life. Flat and waterproof control panel with on/off button, pulse function and variable speed (from 300 to 3700rpm).

## Short Form Specification

Item No. \_\_\_\_\_

3 in 1 machine: cutter, emulsifier and slicer to slice, grate, liquidise, mix and mince in a matter of seconds. Easily change from vegetable slicer to food processor without any tool. All parts in contact with food are removable, dismountable and dw safe. Incl system to change the motor base orientation (20°) to facilitate loading and unloading operations with the vegetable slicer attachment. Vegetable slicer attachment: Universal vegetable slicer offering about 80 different types of cuts. Long vegetable hopper (55,5mm diameter) integrated in the wide 3/4 moon stainless steel round hopper (215cm²). User-friendly stainless steel lever (better pressure control, with less effort for arms and shoulder), designed for right and left handed users. High discharge zone (up to 20cm) for GN containers. Automatic start/stop function will stop the machine when the lever hopper is lifted and will restart automatically when lowered. Cutter-mixer: Stainless steel 5,5 litre bowl with unique design for mixing both large or small quantities. Unique high chimney increases the real capacity of the bowl (use up to 75% of nominal capacity). Transparent lid to check consistency of food and to eventually add ingredients without having to open the lid. Hinged cover, when lifted, remains open to permit a fast and easy check of preparation. Ergonomic and easily dismountable scraper, in heavy duty composite material, for better homogenization. Micro toothed blades in 420 AISI stainless steel. Multiple safety devices ensure the machine will only operate when the cover is properly closed and all parts are correctly

APPROVAL: \_\_\_\_\_



# Vegetable Slicer TRK55 Cutter Slicer - 5.5 LT - Variable Speed

## Main Features

- 3 in 1 machine: cutter, emulsifier and vegetable slicer to slice, grate, liquidise, mix and mince in a matter of seconds.
- Incl system to incline motor base at 20° to better fit the vegetable slicer attachment.
- Vegetable slicer with slicing, grating, shredding (julienne) as well as dicing and French fries cutting capability.
- Long vegetables round hopper integrated in the feed arm, 3/4 moon roundish hopper to limit pre cutting operations.
- Emulsifier function (scraper) included as standard.
- Base fixed cover for a better handling.
- Pulse function for coarse chopping.
- All parts in contact with food are removable without the use of tools, completely dismountable and dishwasher safe.
- Automatic restart of the machine with the 3/4 moon shaped pusher in position.
- Magnetic safety system and motor brake. Prevents machine from running when vegetable preparation lever and/or hopper are lifted or when cutter lid is not properly closed.
- Automatic speed limitation according to the selected function (slicer or cutter).
- Complete and wide selection of blades and grids available (diam. 205 mm).
- Delivered with:
  - Stainless steel lever operated feed hopper
  - 5,5 lt stainless steel cutter bowl, transparent lid, scraper and microtoothed blade rotor
- Capacity:
  - vegetable slicer productivity 550 kg/h, suitable for 100-400 meals for table service, up to 800 meals for catering service
  - cutter mixer working capacity from 100 g to 2,5 kg, for 50-100 meals per service

## Construction

- Asynchronous industrial motor with no brushes for high reliability and quiet functioning, stainless steel motor shaft.
- All blades (available on request) are made in stainless steel and dishwasher safe.
- Stainless steel bowl has a high chimney to ensure high productivity also when processing liquids.
- Feeding arm and hopper are made entirely in stainless steel. Aluminum motor housing.
- Vegetable cutting at 4 speeds up to 800 rpm. Food processing at 10 variable speeds: 300-3700 rpm.
- IP24 throughout entire machine.
- Power: 1.3 HP.
- IPX5 (IP55) waterproof, flat, touch-control panel.
- Compact and portable design.
- Improved ventilation system to manage smoothly heavy duty use.
- Improved incl system for better stability.
- Improved fixing of long vegetable hopper pusher.

## Included Accessories

- 1 of Lid and bowl scraper PNC 650102 for 5,5 lt cutter mixer

- 1 of Microtoothed blade rotor for 5,5 lt PNC 653582 cutter mixer
- 1 of Stainless steel bowl for 5,5 lt PNC 653590 cutter mixer
- 1 of Ejector disc PNC 653772

## Optional Accessories

- Microtooth blade rotor (emulsifier) for 5,5 lt cutter mixer PNC 650040
- Stainless steel shredding disc with S-blades 4x4 mm PNC 650077
- Stainless steel shredding disc with S-blades 6x6 mm (can also be used for French fries) PNC 650078
- Stainless steel shredding disc with S-blades 8x8 mm (can also be used for French fries) PNC 650079
- Stainless steel shredding disc with S-blades 10x10 mm (can also be used for French fries) PNC 650080
- Stainless steel pressing/slicing disc with S-blades 0,6 mm (can be used for slicing or combined with grids) PNC 650081
- Stainless steel pressing/slicing disc with S-blades 1 mm (can be used for slicing or combined with grids) PNC 650082
- Stainless steel pressing/slicing disc with S-blades 2 mm (can be used for slicing or combined with grids) PNC 650083
- Stainless steel pressing/slicing disc with S-blades 3 mm (can be used for slicing or combined with grids) PNC 650084
- Stainless steel pressing/slicing disc with S-blades 4 mm (can be used for slicing or combined with grids) PNC 650085
- Stainless steel pressing/slicing disc with S-blades 5 mm (can be used for slicing or combined with grids) PNC 650086
- Stainless steel pressing/slicing disc with S-blades 6 mm (can be used for slicing or combined with grids) PNC 650087
- Stainless steel pressing/slicing disc with S-blades 8 mm (can be used for slicing or combined with grids) PNC 650088
- Stainless steel pressing/slicing disc with corrugated S-blades 2 mm (can be used for slicing or combined with grids) PNC 650089
- Stainless steel pressing/slicing disc with corrugated S-blades 3 mm (can be used for slicing or combined with grids) PNC 650090
- Stainless steel pressing/slicing disc with corrugated S-blades 6 mm (can be used for slicing or combined with grids) PNC 650091
- Bistrot Pack-set stainless steel discs (2mm and 5mm slicing pressing disc, 2mm grating disc) PNC 650092
- Gastronomy Pack-set stainless steel discs (2mm, 5mm and 10mm slicing pressing discs, 2mm grating disc, 4x4mm shredding disc, 10x10mm dicing grid) PNC 650093

Vegetable Slicer  
TRK55 Cutter Slicer - 5.5 LT - Variable Speed

The company reserves the right to make modifications to the products without prior notice. All information correct at time of printing.





## Vegetable Slicer TRK55 Cutter Slicer - 5.5 LT - Variable Speed

• Lid and bowl scraper for 5,5 lt cutter mixer	PNC 650102	<input type="checkbox"/>	• Dicing grid 20x20 mm	PNC 653570	<input type="checkbox"/>
• Emulsifying kit for TRK, K55 variable speed, including 5,5 lt ss bowl, smooth emulsion blade, lid and scraper	PNC 650103	<input type="checkbox"/>	• Grid for chips 6x6 mm	PNC 653571	<input type="checkbox"/>
• Set of 3 stainless steel discs for Pizza (2mm and 4mm pressing/ slicing discs with S-blades, 7mm grating disc)	PNC 650107	<input type="checkbox"/>	• Grid for chips 8x8 mm	PNC 653572	<input type="checkbox"/>
• Cleaning tool for TRS, TRK & TR210 5-8-10 mm dicing grids	PNC 650110	<input type="checkbox"/>	• Grid for chips 10x10 mm	PNC 653573	<input type="checkbox"/>
• Dicing set 10X10X10MM ( 10mm aluminum slicing pressing disc with 205mm diam. and 10mm grid)	PNC 650112	<input type="checkbox"/>	• Smooth blade rotor for 5,5 lt cutter mixer	PNC 653581	<input type="checkbox"/>
• Aluminum pressing/slicing disc with straight blades 10 mm - for dicing	PNC 650115	<input type="checkbox"/>	• Microtoothed blade rotor for 5,5 lt cutter mixer	PNC 653582	<input type="checkbox"/>
• Aluminum pressing/slicing disc with straight blades 8 mm - for dicing	PNC 650116	<input type="checkbox"/>	• Stainless steel bowl for 5,5 lt cutter mixer	PNC 653590	<input type="checkbox"/>
• Stainless steel shredding disc with S-blades 2x8 mm	PNC 650158	<input type="checkbox"/>	• Support for 1 disc, diam. 175mm and 205mm	PNC 653632	<input type="checkbox"/>
• Stainless steel shredding disc with S-blades 2x10 mm	PNC 650159	<input type="checkbox"/>	• Smooth blade rotor (emulsifier) for 5,5 lt cutter mixer	PNC 653665	<input type="checkbox"/>
• Stainless steel pressing/slicing disc with S-blades 10 mm (can be used for slicing or combined with grids)	PNC 650160	<input type="checkbox"/>	• Ejector disc	PNC 653772	<input type="checkbox"/>
• Stainless steel pressing/slicing disc with S-blades 12 mm (can be used for slicing or combined with grids)	PNC 650161	<input type="checkbox"/>	• Stainless steel grating disc 2 mm	PNC 653773	<input type="checkbox"/>
• Stainless steel pressing/slicing disc with corrugated S-blades 8 mm (can be used for slicing or combined with grids)	PNC 650162	<input type="checkbox"/>	• Stainless steel grating disc 3 mm	PNC 653774	<input type="checkbox"/>
• Stainless steel pressing/slicing disc with corrugated S-blades 10 mm (can be used for slicing or combined with grids)	PNC 650164	<input type="checkbox"/>	• Stainless steel grating disc 4 mm	PNC 653775	<input type="checkbox"/>
• Stainless steel pressing/slicing disc with S-blades 13 mm (can be used for slicing or combined with grids)	PNC 650165	<input type="checkbox"/>	• Stainless steel grating disc 7 mm	PNC 653776	<input type="checkbox"/>
• Stainless steel shredding disc with S-blades 2x2 mm	PNC 650166	<input type="checkbox"/>	• Stainless steel grating disc 9 mm	PNC 653777	<input type="checkbox"/>
• Stainless steel shredding disc with S-blades 3x3 mm	PNC 650167	<input type="checkbox"/>	• Stainless steel grating disc for knoedeln and bread	PNC 653778	<input type="checkbox"/>
• Set of 4 stainless steel discs (2mm and 5mm slicing pressing discs, 2mm and 7mm grating discs)	PNC 650178	<input type="checkbox"/>	• Stainless steel grating disc for parmesan and bread	PNC 653779	<input type="checkbox"/>
• Set of 7 stainless steel discs (2mm, 5mm and 10mm slicing pressing discs, 2mm and 7mm grating discs, 4x4mm shredding disc, 10x10mm dicing grid)	PNC 650179	<input type="checkbox"/>			
• Stainless steel work table with folding shelves and disk rack for TRK, TRS and TR210 table top models	PNC 653283	<input type="checkbox"/>			
• Dicing grid 5x5 mm	PNC 653566	<input type="checkbox"/>			
• Dicing grid 8x8 mm	PNC 653567	<input type="checkbox"/>			
• Dicing grid 10x10 mm	PNC 653568	<input type="checkbox"/>			
• Dicing grid 12x12 mm	PNC 653569	<input type="checkbox"/>			



Vegetable Slicer  
TRK55 Cutter Slicer - 5.5 LT - Variable Speed

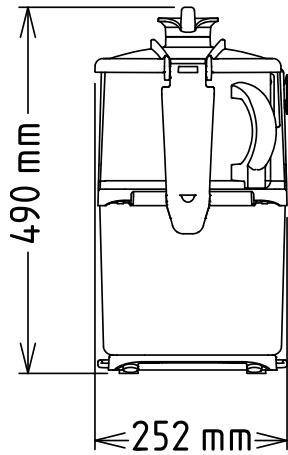
The company reserves the right to make modifications to the products without prior notice. All information correct at time of printing.

2023.01.31



# Vegetable Slicer TRK55 Cutter Slicer - 5.5 LT - Variable Speed

Front



Electric

**Supply voltage:**

**600434 (DTRK55Y)** 200-240 V/1N ph/50/60 Hz

**Electrical power max.:** 1.3 kW

**Total Watts:** 1.3 kW

**Capacity:**

**Performance (up to):** 550 - kg/hour

**Capacity:** 5.5 litres

**Key Information:**

**External dimensions,**

**Width:** 252 mm

**External dimensions,**

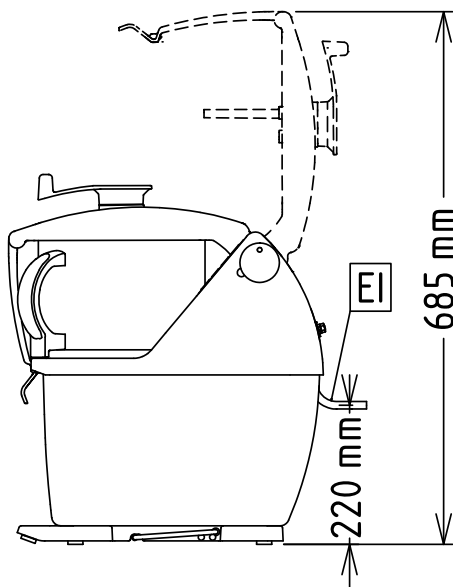
**Depth:** 485 mm

**External dimensions,**

**Height:** 505 mm

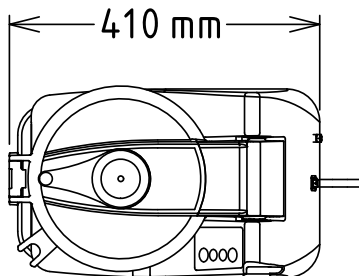
**Shipping weight:** 29 kg

Side



**EI** = Electrical inlet  
(power)

Top



Vegetable Slicer  
TRK55 Cutter Slicer - 5.5 LT - Variable Speed

The company reserves the right to make modifications to the products  
without prior notice. All information correct at time of printing.

