

**Eco Preparation
1000 mm Work Table -
disassembled**

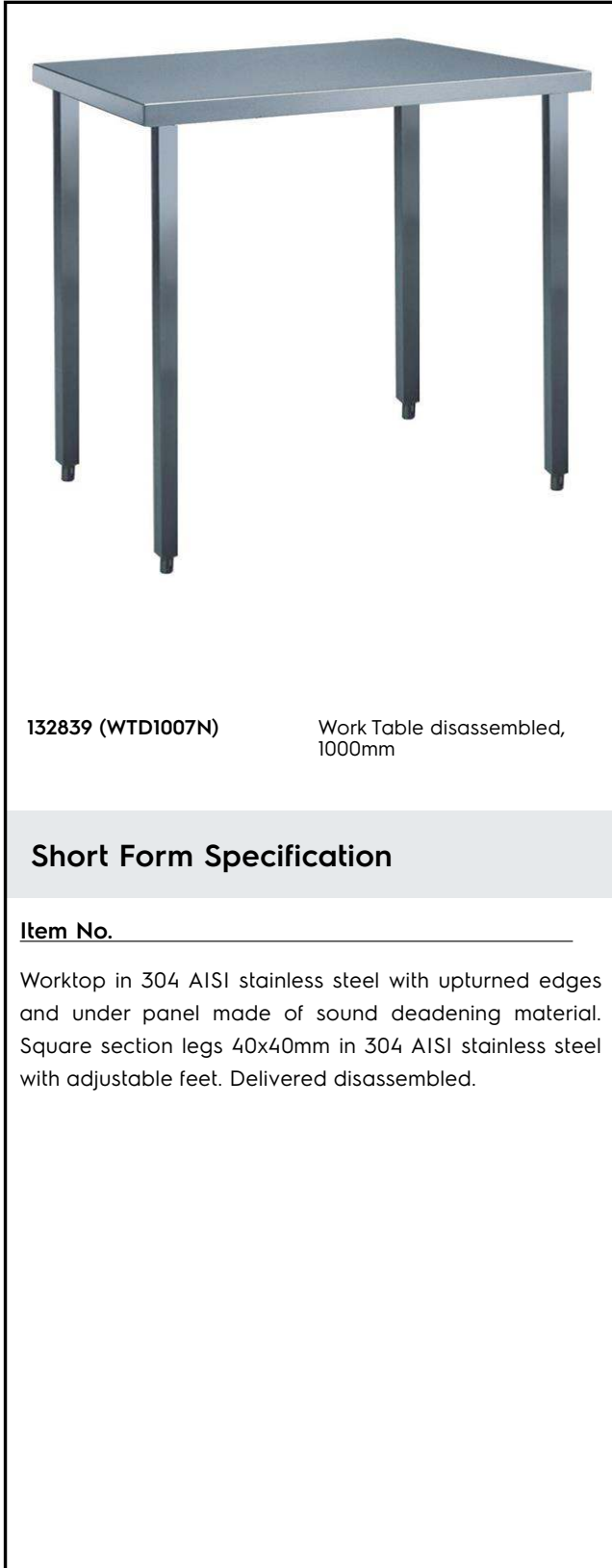
ITEM # _____

MODEL # _____

NAME # _____

SIS # _____

AIA # _____



Main Features

- The table can be ordered with the drawer of 400 mm or 600 mm (optional accessory): thanks to the design of the drawer, additional drawers can be added to the first single drawer to create chest of 2, 3 or 4 drawers based on customer's needs.
- Sturdiness, stability and reliability of table accurately tested.

Construction

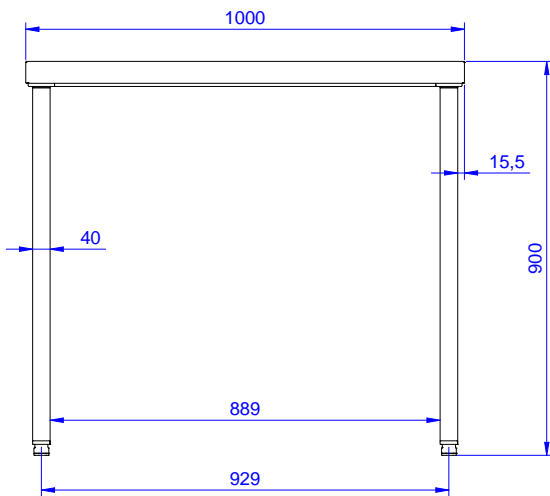
- Delivered in knock-down package.
- Constructed entirely in stainless steel to offer maximum durability.
- Wide range of taps are available to suit every need.

Optional Accessories

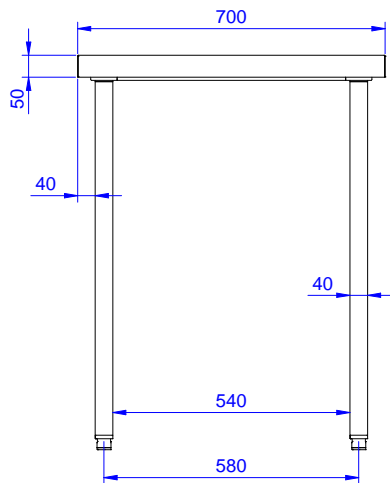
- Lower shelf for 1000 mm tables PNC 855144
and sinks and for 1600 mm
undercounter dishwasher sinks
- Set of 4 wheels (2 with brake) PNC 855150
d. 100mm for tables and sinks
(total height on wheels= 993
mm)
- 3-sided underframe for PNC 855151
1000mm tables

APPROVAL: _____

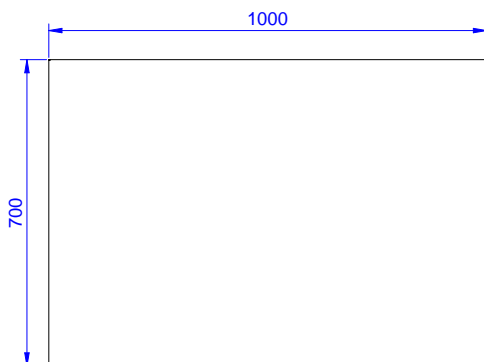
Front



Side



Top



Key Information:

External dimensions, Width:	1000 mm
132839 (WTD1007N)	700 mm
External dimensions, Depth:	900 mm
External dimensions, Height:	50 mm
Worktop thickness:	37 kg
Net weight:	