

## Premium Preparation 1400 mm Soaking Sink with 1 Bowl

ITEM # \_\_\_\_\_

MODEL # \_\_\_\_\_

NAME # \_\_\_\_\_

SIS # \_\_\_\_\_

AIA # \_\_\_\_\_


**133116 (VLP1401SEN)**

 Soaking Sink Unit, with 1  
 bowl (1280x510x340mm),  
 1400mm

### Short Form Specification

**Item No.** \_\_\_\_\_

The 50mm high worktop in 304 AISI stainless steel, 1,2mm in thickness, is sound-deadened and has an overflow rim and welded corners. Integral rear upstand, h=100mm, with 10mm radius. All-round apron panelling and perforated pan rack in 304 AISI s/s.

Round section legs and feet in 304 AISI stainless steel, 50mm in diameter. Height-adjustable feet (+0-50mm).

Sound-deadened bowl mm 1160x500x400h with overflow pipe with filter and drain hole (2").

### Main Features

- Sturdiness, stability and reliability of table accurately tested.

### Construction

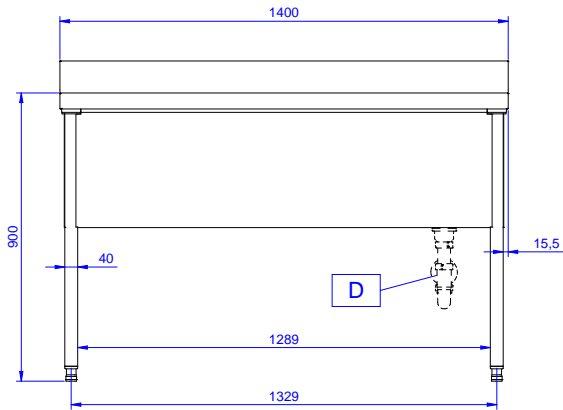
- 100 mm upstand with 10 mm radiused corner and 13 mm deep, designed to be used against a wall.
- Sink tops easily slotted onto the legs and taps are easily installed from the rear.
- Round section legs with feet in 304 AISI stainless steel, 50 mm in diameter, adjustable in height by -60/+10 mm.
- Wide range of taps are available to suit every need.
- Heavy duty construction entirely in AISI 304 stainless steel to offer maximum durability.
- Pan washing support to use inside the bowl is available as an accessory.

### Optional Accessories

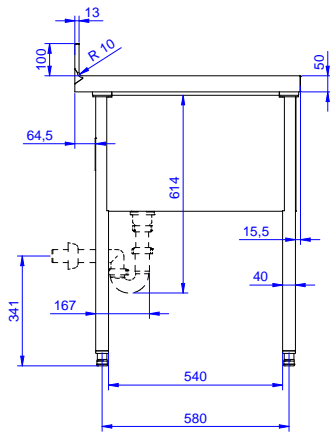
- Lower shelf for 1400mm for units PNC 855283
- Set of 4 wheels (2 with brake) d. 100mm PNC 855288
- 3-sided underframe for 1400mm tables PNC 855291
- Elbow operated mixer tap with spout 3/4", single hole PNC 855322
- Elbow operated mixer tap with short spout 3/4", single hole PNC 855323
- Foot operated mixer tap (hot and cold) with spout 3/4" PNC 855328
- Single plastic drain syphon 2" for Sinks PNC 895313

**APPROVAL:** \_\_\_\_\_

Front

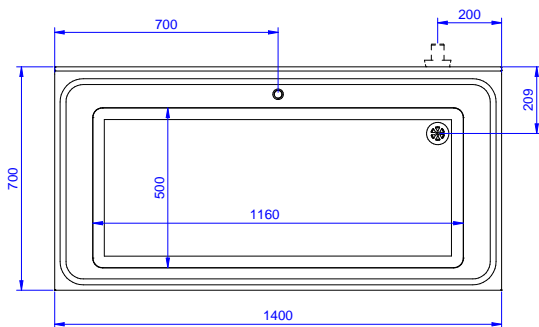


Side



D = Drain

Top





**Key Information:**

External dimensions, Width:	
133116 (VLP1401SEN)	1400 mm
External dimensions, Depth:	700 mm
External dimensions, Height:	900 mm
Upstand Dimensions, Height:	100 mm
Upstand Dimensions, Depth:	13 mm
Upstand Dimensions, Radius:	R=10
Bowls number	1
Bowl dimensions	1160x500xH400
Worktop thickness:	50 mm
Net weight:	60 kg

