

Service Trolleys

17 GN 2/1 Container Trolley - Space saving

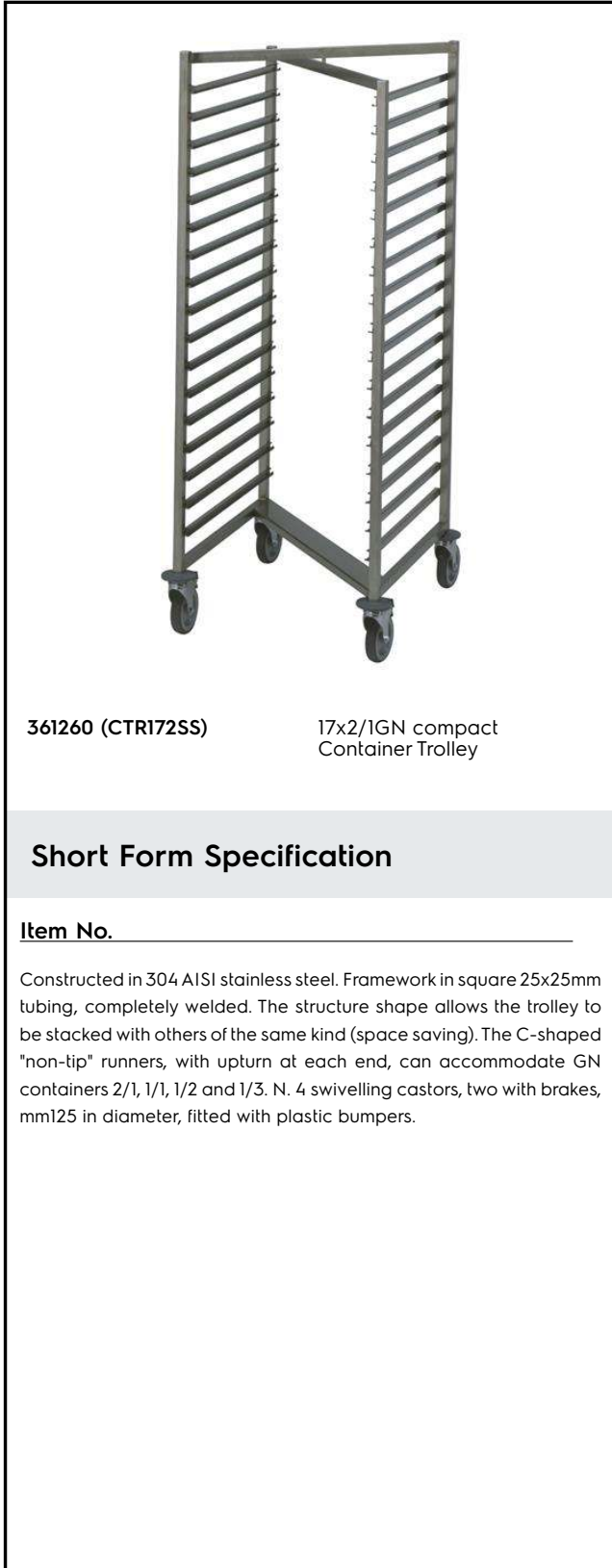
ITEM # _____

MODEL # _____

NAME # _____

SIS # _____

AIA # _____


361260 (CTR172SS)

 17x2/1GN compact
 Container Trolley

Short Form Specification

Item No. _____

Constructed in 304 AISI stainless steel. Framework in square 25x25mm tubing, completely welded. The structure shape allows the trolley to be stacked with others of the same kind (space saving). The C-shaped "non-tip" runners, with upturn at each end, can accommodate GN containers 2/1, 1/1, 1/2 and 1/3. N. 4 swivelling castors, two with brakes, mm125 in diameter, fitted with plastic bumpers.

APPROVAL: _____

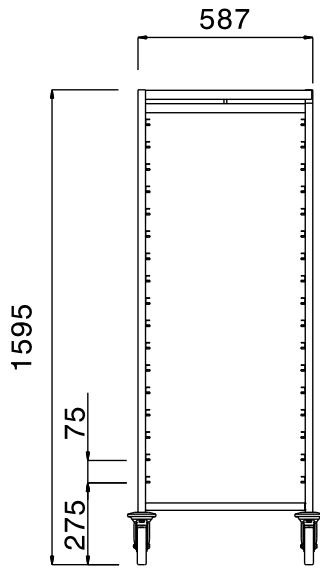
Main Features

- Framework in square 25x25 mm tubing, completely welded.
- Equipped with C-shaped "non-tip" runners, with upturn at each end.
- Accomodates 2/1 GN containers.
- 4 pivoting Ø 125 mm wheels, 2 of which with brakes, fitted with plastic bumpers
- Structure allows trolleys to be stacked with other space saving units.

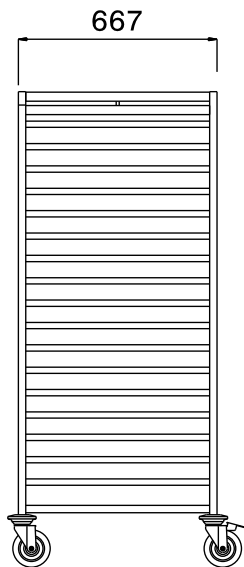
Construction

- Constructed entirely in 304 AISI stainless steel.

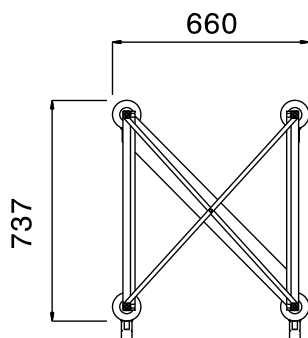
Front



Side



Top



Key Information:

External dimensions, Width:	
361260 (CTR172SS)	660 mm
External dimensions, Depth:	737 mm
External dimensions, Height:	1595 mm
Wheel material:	Zinc plated
Wheel diameter:	Ø 125
Net weight:	26 kg