



Electrolux
PROFESSIONAL

**Eco Preparation
1800 mm Work Table -
disassembled**

ITEM # _____

MODEL # _____

NAME # _____

SIS # _____

AIA # _____



132843 (WTD1807N)

Work Table disassembled,
1800mm

Short Form Specification

Item No. _____

Worktop in 304 AISI stainless steel with upturned edges and under panel made of sound deadening material. Square section legs 40x40mm in 304 AISI stainless steel with adjustable feet. Delivered disassembled.

Main Features

- The table can be ordered with the drawer of 400 mm or 600 mm (optional accessory): thanks to the design of the drawer, additional drawers can be added to the first single drawer to create chest of 2, 3 or 4 drawers based on customer's needs.
- Sturdiness, stability and reliability of table accurately tested.

Construction

- Delivered in knock-down package.
- Constructed entirely in stainless steel to offer maximum durability.
- Wide range of taps are available to suit every need.

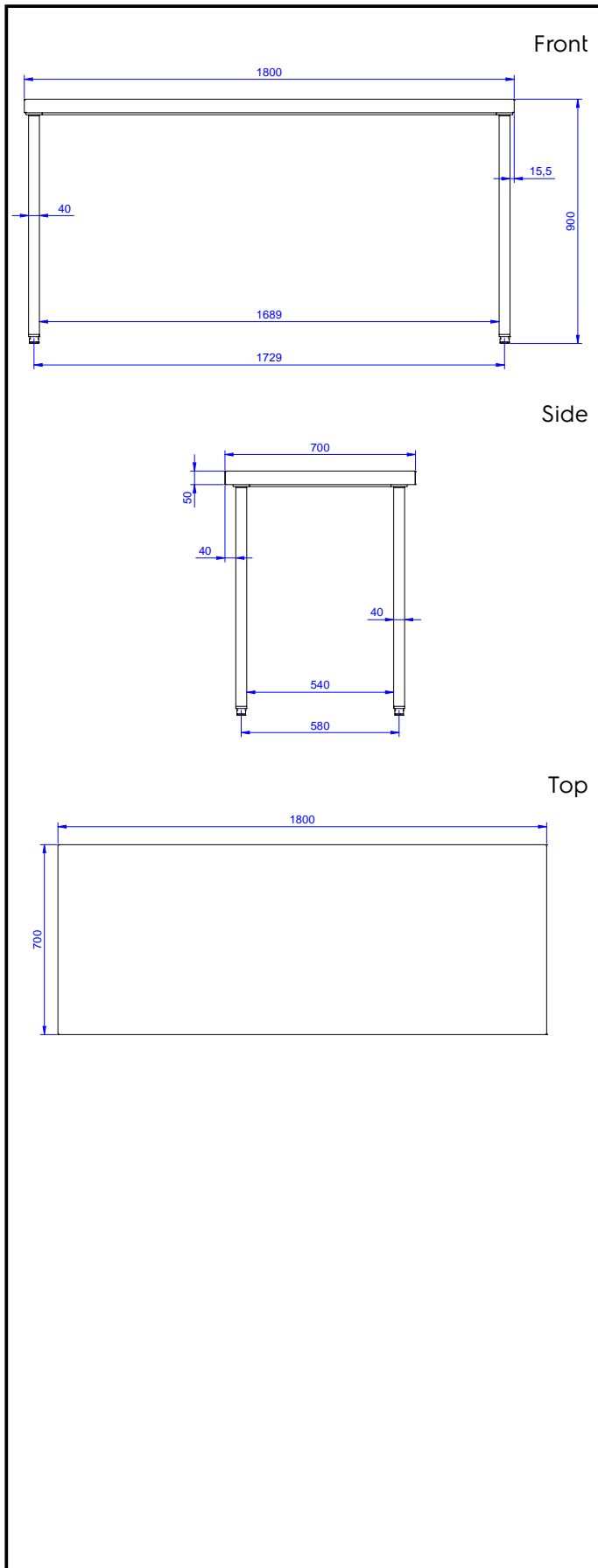
Optional Accessories

- Lower shelf for 1800mm tables and sinks PNC 855148
- Set of 4 wheels (2 with brake) d. 100mm for tables and sinks (total height on wheels= 993 mm) PNC 855150
- 3-sided underframe for 1800mm tables PNC 855155

APPROVAL: _____



Experience the Excellence
www.electroluxprofessional.com



Key Information:

| | |
|--|---------|
| External dimensions, Width: 132843 (WTD1807N) | 1800 mm |
| External dimensions, Depth: | 700 mm |
| External dimensions, Height: | 900 mm |
| Worktop thickness: | 50 mm |
| Net weight: | 57 kg |