



Electrolux
PROFESSIONAL

Ventilation Equipment
304 S/S Wall Hood+Filter+Fan
2800x1400mm

ITEM # _____

MODEL # _____

NAME # _____

SIS # _____

AIA # _____



644245 (ABPV1428DT)

304 stainless steel Wall Hood with filters and exhauster

Short Form Specification

Item No. _____

Constructed in 304 AISI stainless steel. Equipped with labyrinth filters in 304 AISI stainless steel, blind panels in 304 AISI stainless steel, grease collecting trough all around and condensate collecting tray.

Two centrifugal fans, with enclosed type motor, mounted inside the filter battery.

Main Features

- External panels with upturned edges to avoid injuries.
- Prearranged for installation of lighting.
- Low noise level.

Construction

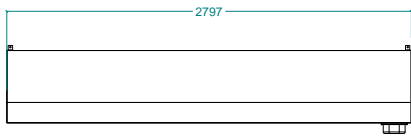
- Eyebolts and screw anchors for ceiling installation.
- Outlet holes are sized in order to minimize drops in pressure.
- 304 AISI stainless steel condensation collection tray.
- Labyrinth filters guarantee constant filtration to avoid clogging and to protect against fire.
- 304 AISI stainless steel blind panels for a correct exhaustion.
- Perimetral gutter with drain hole to transfer grease into a 304 AISI container.
- Lead hole for electric cable on top.
- 304 AISI stainless steel labyrinth filters easily removable for cleaning.
- Entirely constructed in 304 AISI stainless steel.

APPROVAL: _____

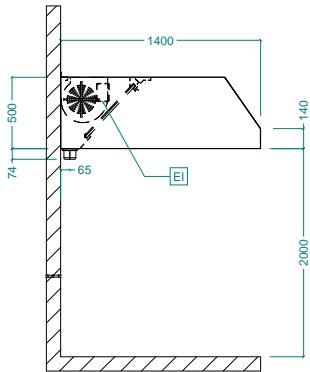


Experience the Excellence
www.electroluxprofessional.com

Front

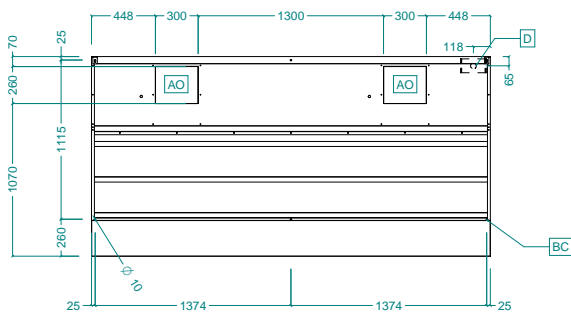


Side



EI = Electrical inlet (power)

Top



Electric

Supply voltage:	220-240 V/1N ph/50 Hz
Total Watts:	0.84 kW
Built-in Fan Power:	420 W

Key Information:

External dimensions, Width:	2800 mm
External dimensions, Depth:	1400 mm
External dimensions, Height:	500 mm
Net weight:	108 kg

Air Emission:

Air capacity:	
644245 (ABPV1428DT)	5400 mc/h