



Electrolux
PROFESSIONAL

**Beverage Dispensing System
Hot Chocolate Dispenser, 3 L,
black with UK plug**

ITEM # _____

MODEL # _____

NAME # _____

SIS # _____

AIA # _____



560046 (LOLA3UK)

Hot Chocolate Dispenser
with 3 l bowl - UK plug

Short Form Specification

Item No. _____

3lt hot chocolate dispenser; compact design. Transparent and extractable bowl that can be easily put in the fridge during the night. The vertical tap is easy to clean and to disassemble. Delivered with UK plug.

Main Features

- Hot chocolate dispenser ideal also for small places thanks to its compact design.
- Transparent and extractable bowl that can be easily put in the fridge during the night.
- The vertical tap is easy to clean and to disassemble.

APPROVAL: _____

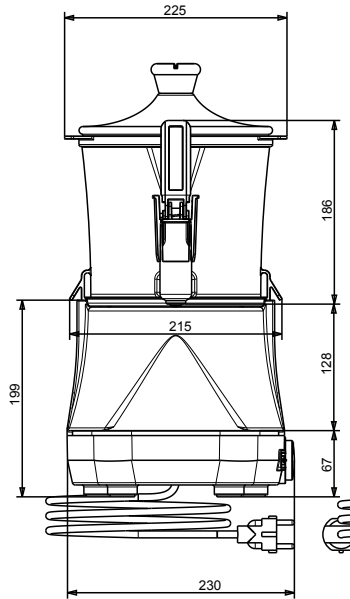


Experience the Excellence
www.electroluxprofessional.com

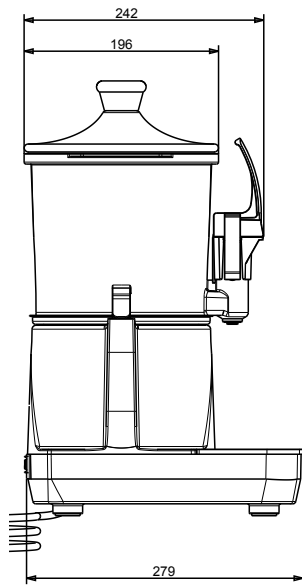


**Beverage Dispensing System
Hot Chocolate Dispenser, 3 L,
black with UK plug**

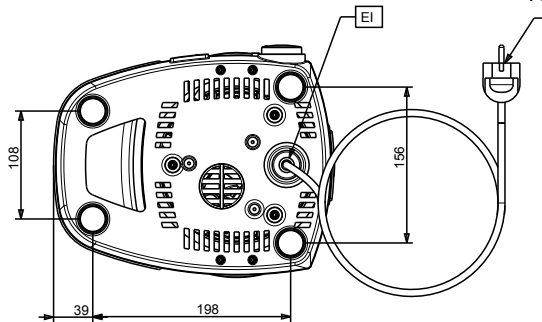
Front



Side



Top



Electric

Supply voltage:

560046 (LOLA3UK) 220-240 V/1 ph/50 Hz

Electrical power max.:

0.85 kW

Key Information:

External dimensions, Width: 233 mm

External dimensions, Depth: 281 mm

External dimensions, Height: 436 mm

Net weight: 5.2 kg

Shipping weight: 7 kg

Shipping height: 490 mm

Shipping width: 320 mm

Shipping depth: 360 mm

Shipping volume: 0.18 m³

Beverage Dispensing System
 Hot Chocolate Dispenser, 3 L, black with UK plug

The company reserves the right to make modifications to the products
 without prior notice. All information correct at time of printing.

2022.07.29