

Frozen
Frozen granita dispenser with 2 bowls,
electronic control and lighted panel, UV
light

ITEM # _____

MODEL # _____

NAME # _____

SIS # _____

AIA # _____



562537 (IPRO2ELUVR290) Frozen Granita Dispenser with 2X11 l insulated bowls, UV light, electronic control and lighted panel, R290

Short Form Specification

Item No. _____

Frozen granita dispenser with 2 bowls; the ITANK™ Technology prevents ice accumulation on the outer side of the bowl and the bowl shape allows a natural mixing action to ensure an optimum consistency of the product. Customizable lid merchandiser and back graphic. Exclusive nUV LED system for bowl sanitation. Electronic control system and touch screen keypad. Front illuminated panel. Sliding drip tray.

Main Features

- Ideal for the production of slush.
- The ITANK™ Technology prevents ice accumulation on the outer side of the bowl, reducing condensation and increasing the cooling power of the machine.
- Bowl shape allows a natural mixing action to ensure an optimum consistency of the product.
- Customizable lid merchandiser and back graphic.
- The front illuminated panel provides customers with the opportunity to advertise their product and maximise impulse buying.
- Daily and weekly machine programming functionality.
- The insulated tank guarantees higher cooling efficiency and lower effect of the external temperature on product's preparation and maintenance time reducing condense and draining; it is the best solution in hot climate conditions.
- Exclusive nUV LED system for bowl sanitation.

Construction

- Electronic control system and touch screen keypad.
- Sliding drip tray.

Sustainability

- When the product reaches the right consistency, an automatic stand-by mode activates in order to save energy and reduce CO2 emissions.

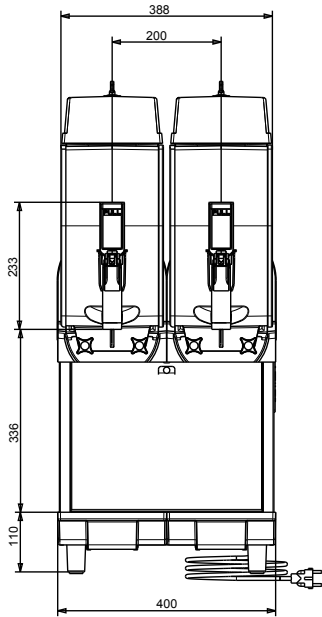
APPROVAL: _____



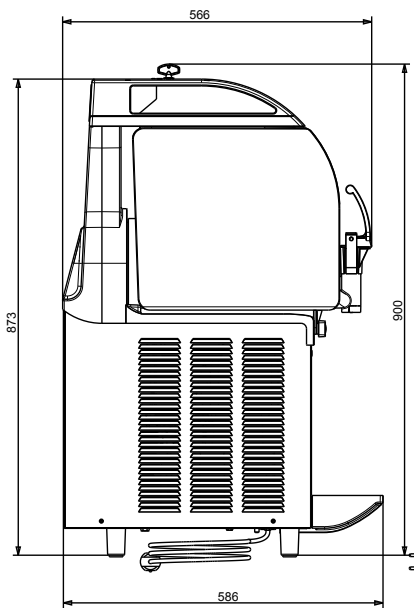
Electrolux
PROFESSIONAL

Frozen
Frozen granita dispenser with 2 bowls,
electronic control and lighted panel, UV light

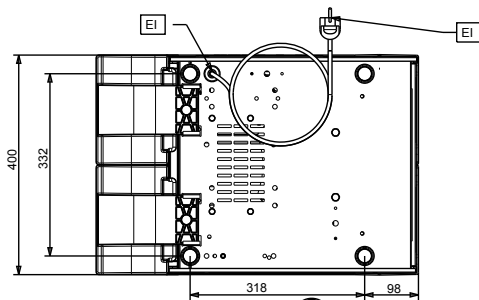
Front



Side



Top



Frozen
Frozen granita dispenser with 2 bowls, electronic control and lighted
panel, UV light
The company reserves the right to make modifications to the products
without prior notice. All information correct at time of printing.

Electric

Supply voltage: 220-240 V/1 ph/50 Hz
Electrical power, max: 0.77 kW

Key Information:

Net weight: 60 kg

Sustainability

Refrigerant type: R290
Refrigerant weight (unit 1): 106 g