

Simplicity Bubblers

Chilled Beverage Dispensers 2x9 L, agitator model with locking lid

ITEM # _____

MODEL # _____

NAME # _____

SIS # _____

AIA # _____


600925 (ECS2E22)

 Chilled Beverage Dispenser
 with 2x9 l bowls, agitator
 and locking lid, R290

Short Form Specification

Item No. _____

Chilled beverage dispenser, 2x9lt, with agitation function for fresh juices, coffees, or teas with minimal foaming system. Dispense 2 flavors in 9lt easy-clean bowls with 23cm cup clearance. Easy-off bowl release system for faster and easier assembly and disassembly. Bowls with locking lid for added safety against tampering.

Temperature range from 1.7 - 5° C. Pre-mix dispenser with stainless steel base and clear plastic bowls. Compact size of 27 cm.

Main Features

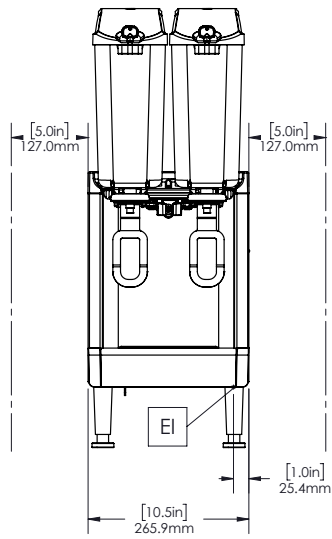
- Agitation function for fresh juices, coffees, or teas with minimal foaming system.
- Dispense 2 flavors in 9 L easy-clean bowls with 23 cm cup clearance.
- Easy-off bowl release system for faster and easier assembly and disassembly.
- User friendly design enables machine to dispense product till the very last drop.

Construction

- Compact size of 27 cm wide saves valuable counter space.
- Temperature range from 1.7 - 5° C.
- Pre-mix dispenser with stainless steel base and clear plastic bowls.
- Fewer removable parts to simplify cleaning and reduce maintenance.
- The air intakes from the bottom and exhaust to back.
- Locking lid for added safety against tampering.
- Refrigerant type: R290.

APPROVAL: _____

Front



Electric

Supply voltage:

600925 (ECS2E22) 230 V/1N ph/50/60 Hz

Electrical power max.:

0.4 kW

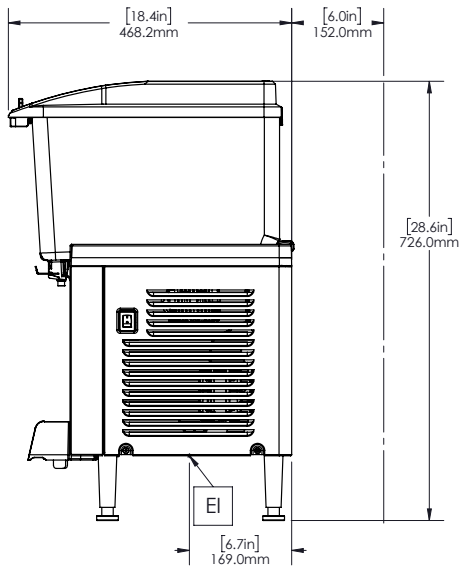
Key Information:

External dimensions, Width:	267 mm
External dimensions, Depth:	451 mm
External dimensions, Height:	729 mm
Net weight:	20 kg
Shipping weight:	24 kg
Shipping height:	530 mm
Shipping width:	380 mm
Shipping depth:	480 mm

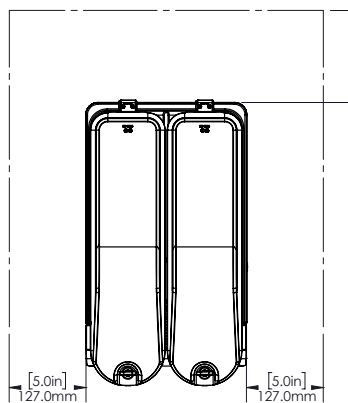
Refrigeration Data

Refrigerant type: R290

Side



Top



Simplicity Bubblers

Chilled Beverage Dispensers 2x9 L, agitator model with locking lid

The company reserves the right to make modifications to the products without prior notice. All information correct at time of printing.