

**Simplicity Bubblers**  
**Chilled Beverage Dispensers 4x9 L,**  
**agitator model with locking lid and UK**  
**plug**

ITEM # \_\_\_\_\_

MODEL # \_\_\_\_\_

NAME # \_\_\_\_\_

SIS # \_\_\_\_\_

AIA # \_\_\_\_\_


**600928 (ECS4E22UK)**

 Chilled Beverage Dispenser  
 with 4x9 l bowls, agitator  
 and locking lid - UK plug

### Short Form Specification

Item No. \_\_\_\_\_

Chilled beverage dispenser, 4x9lt, with gitation function for fresh juices, coffees, or teas with minimal foaming system. Dispense 4 flavors in (4) 9lt easy-clean bowls with 23 cm cup clearance. Easy-off bowl release system for faster and easier assembly and disassembly. Bowls with locking lid for added safety against tampering. Temperature range from 1.7 - 5° C. Pre-mix dispenser with stainless steel base and clear plastic bowls. Delivered with UK plug.

### Main Features

- Agitation function for fresh juices, coffees, or teas with minimal foaming system.
- Easy-off bowl release system for faster and easier assembly and disassembly.
- User friendly design enables machine to dispense product till the very last drop.
- Dispense 4 flavors in (4) 9 L easy-clean bowls with 23 cm cup clearance.

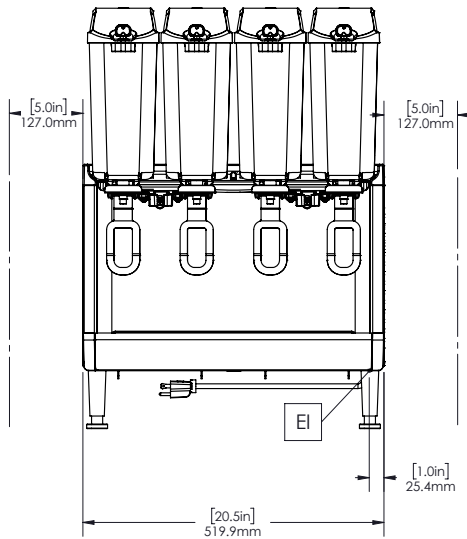
### Construction

- Pre-mix dispenser with stainless steel base and clear plastic bowls.
- Fewer removable parts to simplify cleaning and reduce maintenance.
- Temperature range from 1.7 - 5° C.
- The air intakes from the bottom and exhaust to back.
- Locking lid for added safety against tampering.

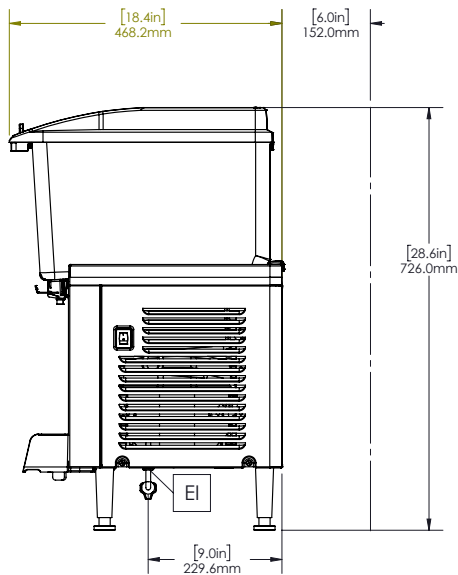
APPROVAL: \_\_\_\_\_

**Simplicity Bubblers**  
**Chilled Beverage Dispensers 4x9 L, agitator model with locking lid and**  
**UK plug**

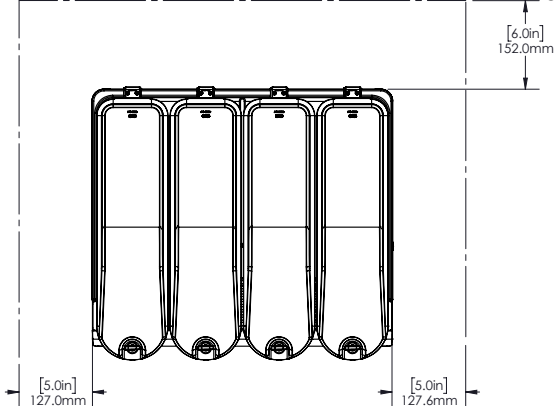
Front



Side



Top



#### Electric

Supply voltage:  
 600928 (ECS4E22UK) 230 V/1N ph/50/60 Hz  
 Electrical power max.: 1 kW

#### Key Information:

External dimensions, Width: 521 mm  
 External dimensions, Depth: 451 mm  
 External dimensions, Height: 729 mm  
 Net weight: 32 kg  
 Shipping weight: 35 kg  
 Shipping height: 528 mm  
 Shipping width: 483 mm  
 Shipping depth: 630 mm

#### Refrigeration Data

Refrigerant type: R290