



Simplicity Bubblers
Chilled Beverage Dispensers 2x18 L,
agitator model with locking lid and UK
plug

ITEM # _____

MODEL # _____

NAME # _____

SIS # _____

AIA # _____



600929 (ECS2D22UK)

Chilled Beverage Dispenser
 with 2x18 l bowls, agitator
 and locking lid - UK plug

Short Form Specification

Item No. _____

Chilled beverage dispenser, 2x18lt, with agitation function for fresh juices, coffees, or teas with minimal foaming system. Dispense 2 flavors in 18lt easyclean bowls with 23cm cup clearance. Easy-off bowl release system for faster and easier assembly and disassembly. Bowls with locking lid for added safety against tampering. Temperature range from 1.7 - 5° C. Pre-mix dispenser with stainless steel base and clear plastic bowls. Delivered with UK plug.

Main Features

- Agitation function for fresh juices, coffees, or teas with minimal foaming system.
- Easy-off bowl release system for faster and easier assembly and disassembly.
- User friendly design enables machine to dispense product till the very last drop.
- Two flavors dispensed with 18 L easy-clean bowls with 23 cm cup clearance.

Construction

- Pre-mix dispenser with stainless steel base and clear plastic bowls.
- Fewer removable parts to simplify cleaning and reduce maintenance.
- Temperature range from 1.7 - 5° C.
- Compact size of 52 cm wide saves valuable counter space.
- The air intakes from the bottom and exhaust to back.
- Locking lid for added safety against tampering.

APPROVAL: _____

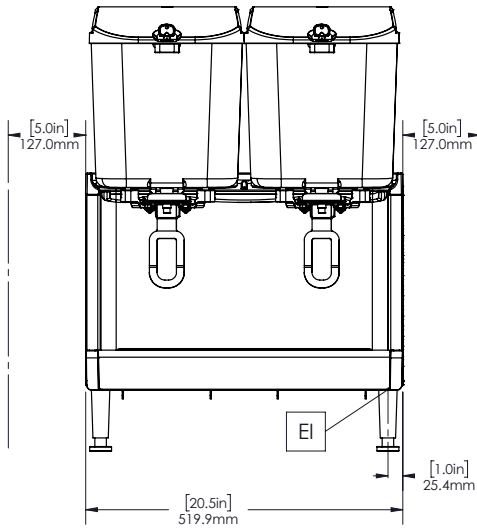


Experience the Excellence
www.electroluxprofessional.com

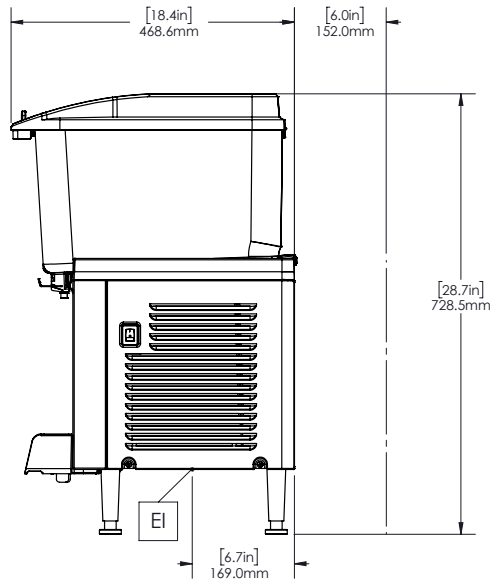


Simplicity Bubblers
Chilled Beverage Dispensers 2x18 L,
agitator model with locking lid and
UK plug

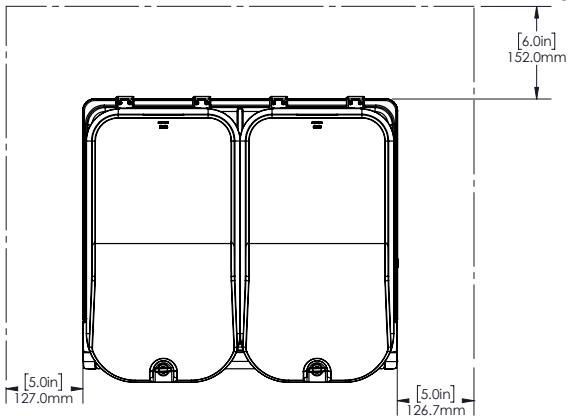
Front



Side



Top



Electric

Supply voltage:

600929 (ECS2D22UK)

230 V/1N ph/50/60 Hz

Electrical power max.:

0.4 kW

Key Information:

External dimensions, Width: 521 mm

External dimensions, Depth: 451 mm

External dimensions, Height: 729 mm

Net weight: 32 kg

Shipping weight: 37 kg

Shipping height: 650 mm

Shipping width: 500 mm

Shipping depth: 650 mm

Refrigeration Data

Refrigerant type:

R290