



Simplicity Bubblers Chilled Beverage Dispensers 2x9 L+1x18 L, agitator model with locking lid and UK plug

ITEM # _____

MODEL # _____

NAME # _____

SIS # _____

AIA # _____



600930 (ECS3D22UK)

Chilled Beverage Dispenser with 2x9 l bowls and 1x18 l bowl, agitator and locking lid - UK plug

Short Form Specification

Item No. _____

Chilled beverage dispenser, 2x9lt+1x18lt, with agitation function for fresh juices, coffees, or teas with minimal foaming system. Dispense 3 flavors in (2) 9lt and (1) 18lt easy-clean bowls with 23cm cup clearance. Easy-off bowl release system for faster and easier assembly and disassembly. Bowls with locking lid for added safety against tampering.

Temperature range from 1.7 - 5° C. Pre-mix dispenser with stainless steel base and clear plastic bowls. Delivered with UK plug.

APPROVAL: _____

Main Features

- Agitation function for fresh juices, coffees, or teas with minimal foaming system.
- Easy-off bowl release system for faster and easier assembly and disassembly.
- User friendly design enables machine to dispense product till the very last drop.
- Dispense 3 flavors in (2) 9 L and (1) 18 L easy-clean bowls with 23 cm cup clearance.

Construction

- Pre-mix dispenser with stainless steel base and clear plastic bowls.
- Fewer removable parts to simplify cleaning and reduce maintenance.
- Temperature range from 1.7 - 5° C.
- Compact size of 52 cm wide saves valuable counter space.
- The air intakes from the bottom and exhaust to back.
- Locking lid for added safety against tampering.



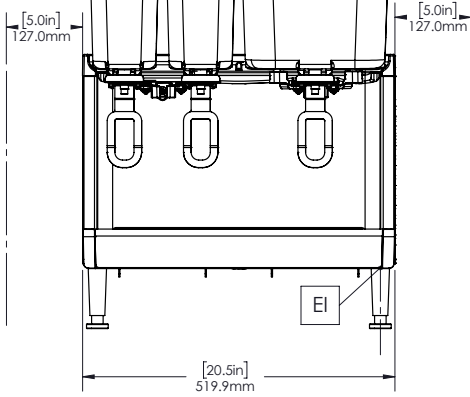
Chilled Beverage Dispensers 2x9 L+1x18 L, agitator model with locking lid and UK plug

Simplicity Bubblers

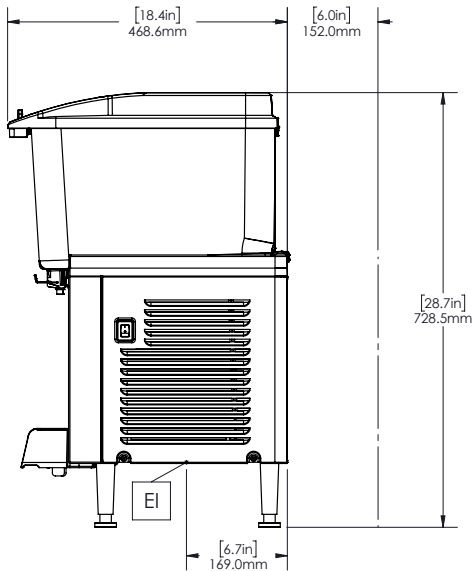


Experience the Excellence
www.electroluxprofessional.com

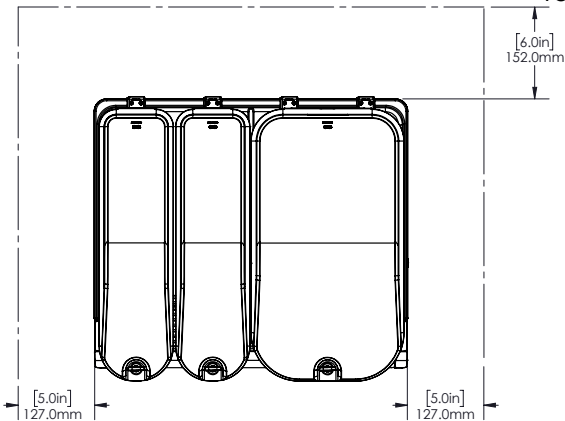
Front



Side



Top



Electric

Supply voltage:

600930 (ECS3D22UK)

230 V/1N ph/50/60 Hz

Electrical power max.:

1 kW

Key Information:

External dimensions, Width:	521 mm
External dimensions, Depth:	451 mm
External dimensions, Height:	729 mm
Net weight:	32 kg
Shipping weight:	24 kg
Shipping height:	530 mm
Shipping width:	380 mm
Shipping depth:	480 mm

Refrigeration Data

Refrigerant type:	R290
-------------------	------