

Simplicity Bubblers
Chilled Beverage Dispensers 3x18 L,
agitator model with locking lid and UK
plug

ITEM # _____

MODEL # _____

NAME # _____

SIS # _____

AIA # _____


600934 (ECS3L22UK)

 Chilled Beverage Dispenser
 with 3x18 l bowls, agitator
 and locking lid - UK plug

Short Form Specification

Item No. _____

Chilled beverage dispenser, 3x18lt, with agitation function for fresh juices, coffees, or teas with minimal foaming system. Dispense 3 flavors in 18lt easy-clean bowls with 23cm cup clearance. Easy-off bowl release system for faster and easier assembly and disassembly. Bowls with locking lid for added safety against tampering. Temperature range from 1.7 - 5° C. Pre-mix dispenser with stainless steel base and clear plastic bowls. Delivered with UK plug.

APPROVAL: _____

Main Features

- Agitation function for fresh juices, coffees, or teas with minimal foaming system.
- Easy-off bowl release system for faster and easier assembly and disassembly.
- User friendly design enables machine to dispense product till the very last drop.
- Dispense 3 flavors in 18 L easy-clean bowls with 23 cm cup clearance.

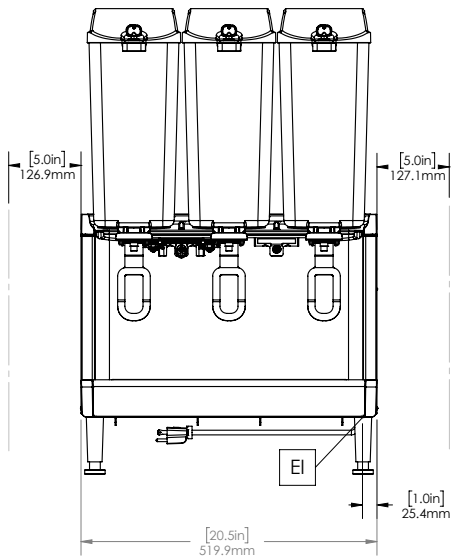
Construction

- Pre-mix dispenser with stainless steel base and clear plastic bowls.
- Fewer removable parts to simplify cleaning and reduce maintenance.
- Temperature range from 1.7 - 5° C.
- Compact size of 52 cm wide saves valuable counter space.
- Locking lid for added safety against tampering.

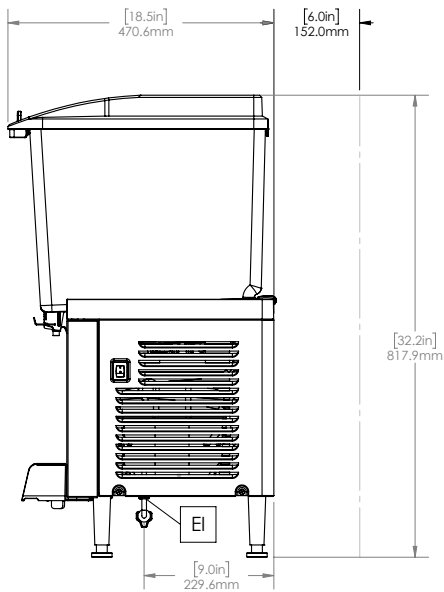
Chilled Beverage Dispensers 3x18 L, agitator model with locking lid and UK plug

Simplicity Bubblers

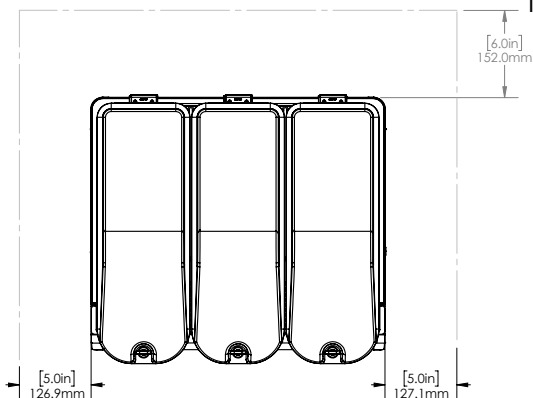
Front



Side



Top



Electric

Supply voltage:

600934 (ECS3L22UK) 230 V/1N ph/50/60 Hz

Electrical power max.:

1 kW

Key Information:

External dimensions, Width:	518 mm
External dimensions, Depth:	451 mm
External dimensions, Height:	818 mm
Net weight:	33 kg
Shipping weight:	35 kg
Shipping height:	528 mm
Shipping width:	483 mm
Shipping depth:	630 mm

Refrigeration Data

Refrigerant type: R290