

Saladette XL Saladette, 3 doors and UK plug (R452a)

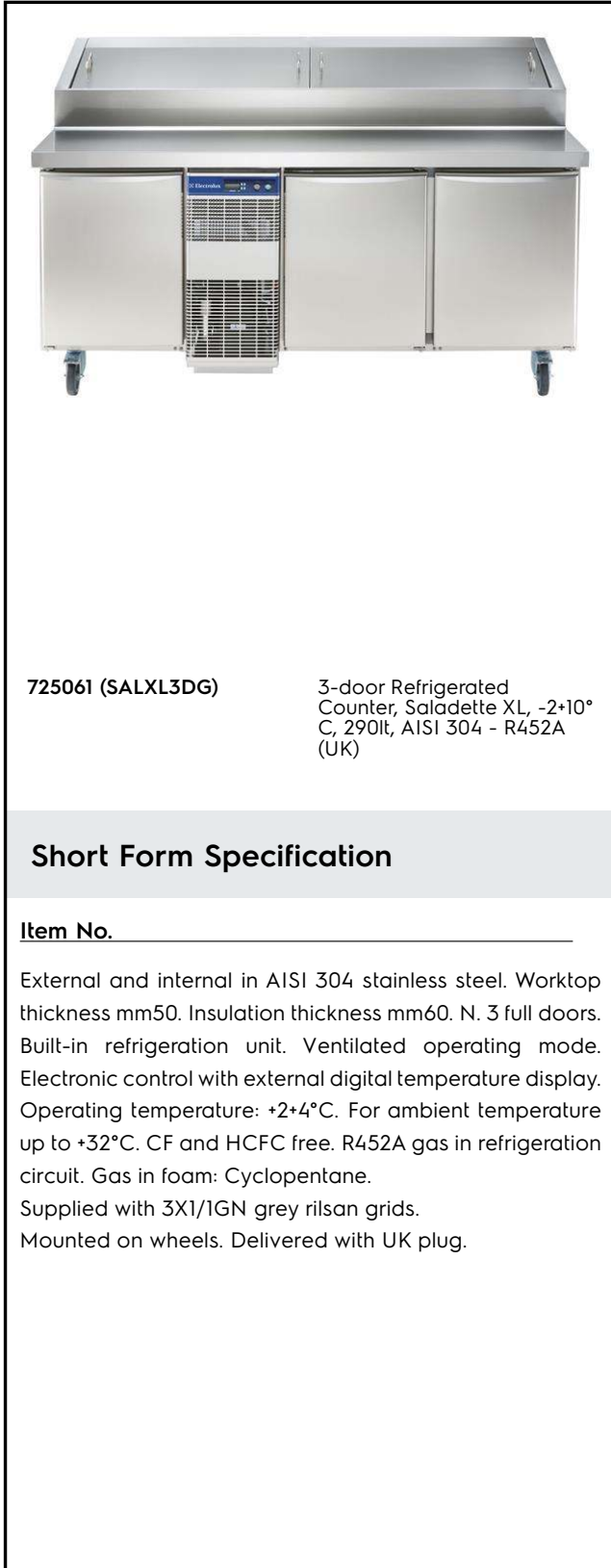
ITEM # _____

MODEL # _____

NAME # _____

SIS # _____

AIA # _____


725061 (SALXL3DG)

 3-door Refrigerated
 Counter, Saladette XL, -2+10°
 C, 290lt, AISI 304 - R452A
 (UK)

Short Form Specification

Item No. _____

External and internal in AISI 304 stainless steel. Worktop thickness mm50. Insulation thickness mm60. N. 3 full doors. Built-in refrigeration unit. Ventilated operating mode. Electronic control with external digital temperature display. Operating temperature: +2+4°C. For ambient temperature up to +32°C. CF and HCFC free. R452A gas in refrigeration circuit. Gas in foam: Cyclopentane. Supplied with 3X1/1GN grey rilsan grids. Mounted on wheels. Delivered with UK plug.

APPROVAL: _____

Main Features

- 60 mm insulation for energy saving.
- Anti-tilt runners accept GN 1/1 containers.
- Easy-to-use, electronic control panel. Fully programmable.
- Electronic microprocessor control with external digital temperature display.
- Forced air circulation for rapid cooling and an even temperature distribution.
- Suitable for use in ambient temperatures of up to 32 °C.
- Adjustable temperature range from -2 to +10°C to suit meat and different dairy storage requirements.
- No cross-contamination between upper and lower part (nothing will fall in the lower compartment).
- Electronic control with external digital temperature display.
- Connectivity ready for real time access to connected appliances from remote and data monitoring (requires optional accessory).

Construction

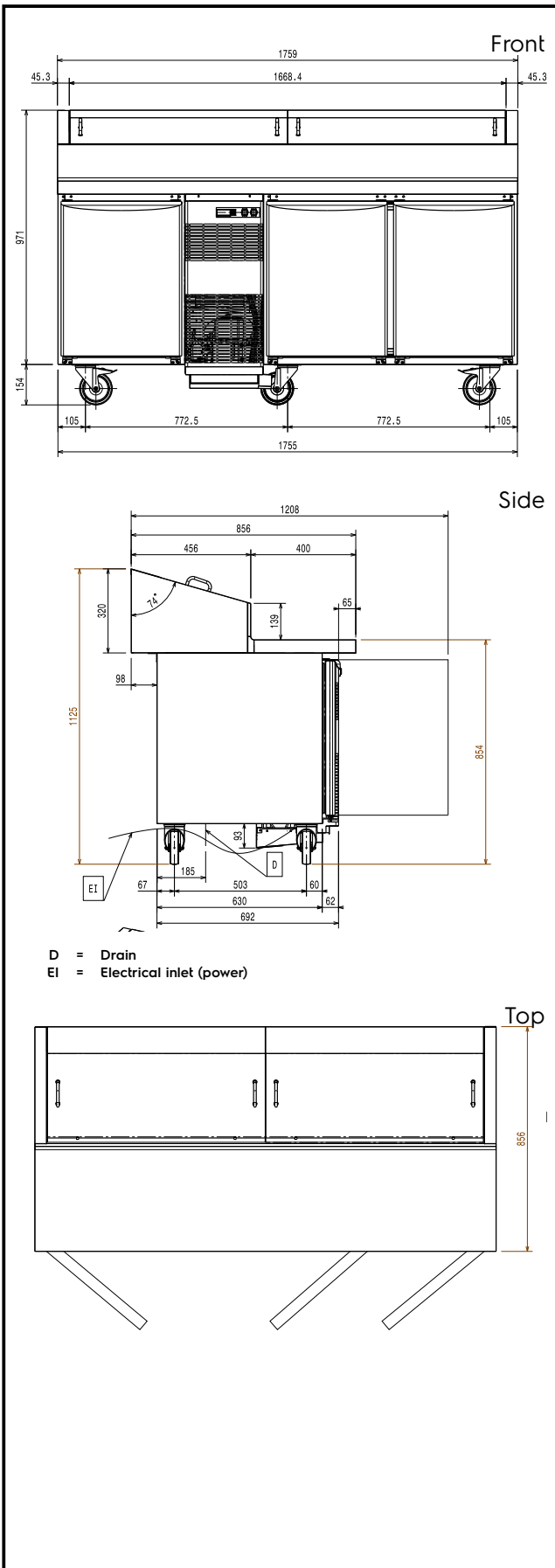
- Access to all components from the front.
- Developed and produced in ISO 9001 and ISO 14001 certified factory.
- Mounted on wheels.
- Rounded internal corners for ease of cleaning.
- Worktop in AISI 304 Stainless steel with a 50 mm profile.
- Constructed from AISI 304 Stainless steel throughout to meet the highest hygiene standards.
- Delivered with UK plug.
- Heavy duty, balanced stainless steel lid, easy to remove and turn to facilitate cleaning.
- Large front working top (400 mm depth).
- Easy to clean: removable internal support structure with no dirt traps for unbeatable hygiene.
- If needed, working top can be removed for easier handling during installation (in case of narrow doors).
- Environmentally friendly: R452a as refrigerant gas.

Included Accessories

- 9 of 1/1GN grey rilsan grid PNC 881435

Optional Accessories

- Ethernet connector for IR33 (CAREL) Refrigerated Cabinets and Counters PNC 880252
- 1/1GN grey rilsan grid PNC 881435
- Lock for refrigerated counters PNC 881499
- Kit 2 drawers 1/2+rack-HD refrigerated counters - not for freezer version PNC 881514
- Kit 3 drawers 1/3+rack-HD refrigerated counters - not for freezer version PNC 881515



Electric

Supply voltage:
 725061 (SALXL3DG) 230 V/1 ph/50 Hz

Key Information:

Gross capacity: 440 lt
 External dimensions, Width: 1759 mm
 External dimensions, Height: 1121 mm
 External dimensions, Depth: 856 mm
 External dimensions, Depth with Doors Open: 1110 mm
 Type of external material: 304 AISI
 Type of internal material: 304 AISI
 Internal side panels material: 304 AISI
Built-in Compressor and Refrigeration Unit

Refrigeration Data

Refrigerant type: R452A
 Refrigerant weight: 535 g
 Operating temperature min.: 2 °C
 Operating temperature max.: 4 °C