

Digital Cabinets

3-door Freezer table, -22-18°C, AISI 304, R290

ITEM # _____

MODEL # _____

NAME # _____

SIS # _____

AIA # _____


790514 (ACIF3TAAA3)

 3-door Freezer
 Counter, -22-18°C, AISI 304,
 R290 - ASIA

Short Form Specification

Item No.

3 doors freezer counter. Built-in refrigeration unit. External doors, front, back and side panels in AISI 304 Stainless Steel. Internal panels and fittings in AISI 304 Stainless Steel. Worktop in AISI 304 Stainless Steel. Ventilated. High-density expanded polyurethane insulating foam, 60 mm in thickness, with cyclopentane injection for long-term insulation and energy saving. Digital control panel. Completely automatic defrosting and automatic evaporation of defrost water. Temperature range: -22/-18° C. CFC and HCFC free. R290 refrigerant gas for the lowest environmental impact - CFC and HCFC free. Self closing doors and magnetic door seal to guarantee perfect closure.

Main Features

- Completely automatic defrosting and automatic evaporation of defrost water.
- Removable triple air chamber gasket to guarantee hygiene and perfect insulation.
- Forced air circulation for rapid cooling and an even temperature distribution.
- Digital control panel for temperature and parameter setting as well as to activate defrosting when necessary.
- Performance guaranteed at ambient temperatures of +38°C.
- Electronics resistant to high voltage peaks.
- Coated finned evaporator with anti-corrosion treatment to avoid corrosion and to guarantee everlasting operation.
- Large storage area suitable to contain 1/1 GN grids.
- Access to all components from the front for easier maintenance operations.
- Adjustable temperature range from -18 °C to -22 °C to suit meat, fish and dairy storage requirements.
- HACCP compliant digital control: when temperature exceeds critical limits, acoustic and visual alarms are activated.
- Door frame heater avoids condensation build-up around the door frame.

Construction

- Developed and produced in ISO 9001 and ISO 14001 certified factory.
- Rounded internal corners for ease of cleaning.
- Internal panels and fittings in AISI 304 Stainless Steel.
- Built-in compressor.
- Magnetic door seal to guarantee perfect closure.
- Fully extractable cooling unit to facilitate maintenance.
- Worktop in AISI 304 Stainless Steel.
- Self closing doors.
- External doors, front, back and side panels in AISI 304 Stainless Steel.

Sustainability

- CFC and HCFC-free insulation.
- Hydrocarbon refrigerant gas for the lowest environmental impact - CFC and HCFC free.
- Low energy consumption thanks to high efficiency components, insulation and optimized airflow.
- High-density expanded polyurethane insulating foam, 60 mm in thickness, with cyclopentane

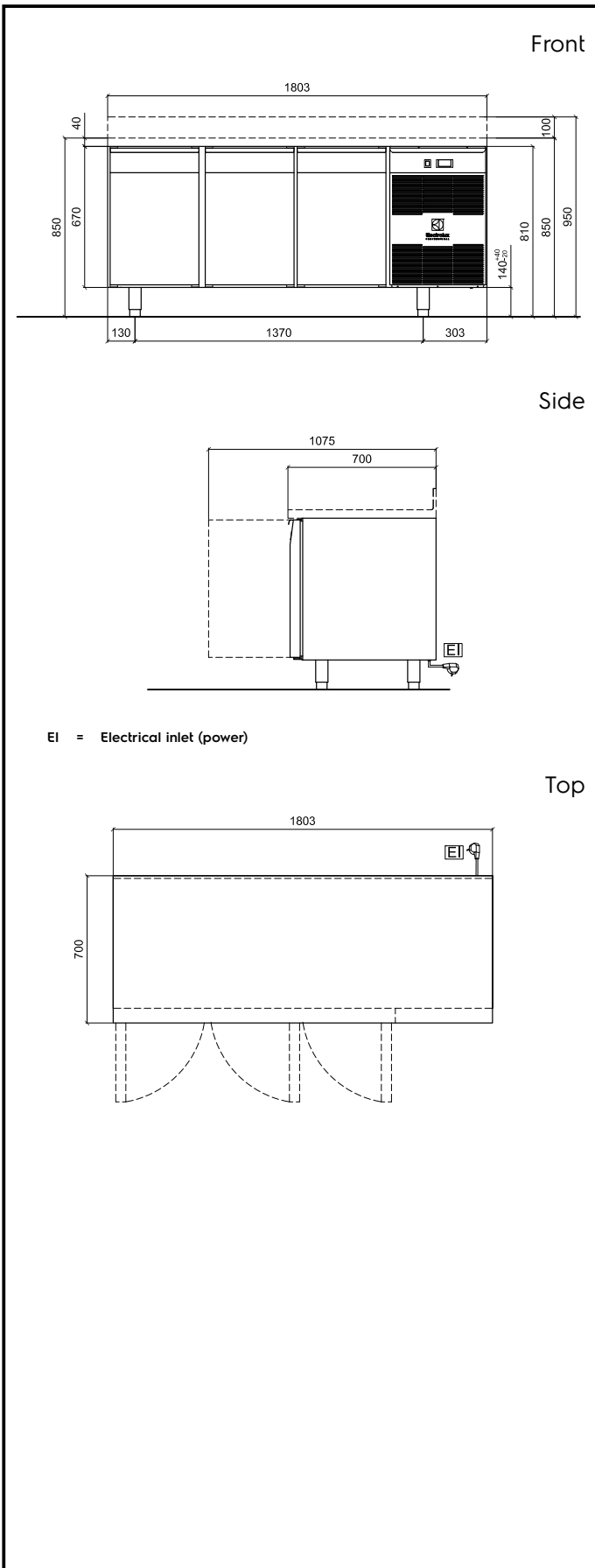


APPROVAL: _____

injection for long-term insulation and energy saving.

Optional Accessories

- 1/1GN shelf for Counters PNC 880627
- Side runners for 1/1GN Counters PNC 880628
- Top for 3-compartment 1/1GN Counters PNC 880630
- Kit 4 wheels (2 with brake) for 2- and 3-compartment 1/1GN Counters PNC 880635



Electric

Supply voltage:

790514 (ACIF3TAAA3) 220-240 V/1N ph/50 Hz

Electrical power max.:

0.54 kW

Capacity:

Number and type of grids (included):

3 - GN 1/1

Key Information:

Gross capacity:

400 lt

External dimensions, Width:

1803 mm

External dimensions, Depth:

700 mm

External dimensions, Depth with Doors Open:

1075 mm

External dimensions, Height:

850 mm

Number and type of doors:

3 Full

Stainless Steel AISI 304

Type of external material:

Scotch Brite

Type of internal material:

304 AISI

Refrigeration Data

Compressor power:

5/8 hp

Operating temperature min.:

-22 °C

Operating temperature max.:

-18 °C

Operating mode:

Ventilated

Sustainability

Refrigerant type:

R290