

**Warewashing
 green&clean dual rinse type
 dishwasher with Steam abatement, 150r/
 h, electric, 50Hz (Marine)**

ITEM # _____

MODEL # _____

NAME # _____

SIS # _____

AIA # _____


CC0FVX (CC0FVX)

Dual rinse rack type dishwasher, 150 racks/hour, Energy Saving Device, CLEAR BLUE Filtering System, electric, touch screen, customized direction on-site, USPH compliant, 50Hz - Marine

Short Form Specification

Item No. _____

Unit to be green&clean dual rinse rack type dishwasher. Featured built-in Steam abatement working with chilled water to absorb the hot steam generated inside the machine. Dual rinse with built-in stabilized pressure valve ensures the right rinsing pressure for optimum hygiene results. Maximum Water Contact (MWC) wash arms are positioned along the full length of the wash tank. Powerful wash pump and specially designed wash spray arms guarantee cleaning. Washing is done with water circulating at 55-65°C. Final rinsing is done with clean water heated up to 85°C. Dual rinse technology provides rinse water covering maximum the rinse area to ensure hygiene on washed wares. Low rinse water consumption of 1.2liters per rack at maximum speed of 150racks/hour. Three conveyor speeds are selectable by the operator with maximum capacity of 150racks/hour. Intuitive touch screen control panel provides easy communication on different levels. Large counter-balance door has heat and noise insulation with easy internal access. CLEAR BLUE filtering system removes majority of soil from the wash water to ensure clean water for long time. Built-in drain valve in the tank allows automatic dump and fill to refresh the water in the tank without interruption. Standard end of the day self cleaning cycle and sanitation cycle. Operating direction of the machine is decided by customer on-site depending on the layout flow with pre-arranged right to left from the factory.

Main Features

- IP25 protection against water jets, solid objects and small animals (larger than 6 mm).
- Intuitive touch screen control panel features user-friendly display to easily operate the machine and to monitor machine status. Three different levels of interaction are available each show relevant messages and information to the operator, the general maintenance staff and the authorized service partners.
- All internal components: wash and rinse arms, tank filters, curtains can be easily removed for cleaning.
- Unit equipped with USB port making it simple to read data such as machine identification, counters and consumption, components, devices and alarm logs. Machine parameters can be uploaded and downloaded and firmware updated.
- Large counter balanced inspection door allow unrestricted all-round access to the wash and rinse area. Door is insulated with injected foam. This adds strength as well as reduces noise and heat loss.
- Built-in drain valve in the tanks allows automatic dump and fill to refresh the water in the tank without any interruption of the washing process.
- CLEAR BLUE filtering system removes soil from the wash water providing cleaner water and highly active detergent thus ensuring better washing performance and lower running costs.
- Automatic drain, clean and sanitize cycles featured as standard. The internal chamber, is completely cleaned or sanitized avoiding bacteria proliferation for maximum hygiene and reducing manual work/time for operator.
- Dual rinse technology ensures maximum rinse water covering every corner of the rack inside the rinse area for perfect hygiene on washed wares.
- Three conveyor speeds can be selected through the control panel by the operator and customized on-site.
- The unit is ready to be connected with OnE Connectivity for 24/7 real time monitoring, increasing equipment uptime, maximum profit and optimizing your process.
- Maximum capacity per hour of 150 racks easy to switch to DIN 10510 compliant or other speed.
- USPH performance compliant.
- Built-in Steam Abatement using chilled water to absorb the hot steam generated by the machine thus releasing dry and fresh air to the dishwashing area.

Construction

- Deep drawn pressed wash tank with fully rounded corners, sloped towards the drain to prevent dirt buildup, provides fast drainage in just a few minutes. With no welding points the pressed tank offers a guaranteed water tight solution.
- Dishwasher structure is held together with a solid 50 x 50 mm stainless steel frame to provide long-term sturdiness.
- All electric components are put in one IP65 central box isolated from water and steam to ensure high

APPROVAL: _____



reliability.

- External pre-arrangement for inlet water, drain water, detergent & rinse aid connections for fast and easy installation on both sides of the unit.
- All main components made in heavy duty anti-corrosive 304 type stainless steel: external front, side panels and internal chambers, wash and rinse arms, doors and rack transportation system.
- The feeding direction is right to left as pre-arrangement from the factory, but it can be simply reversed on-site to left to right.
- Modularity design allows the machine not only be disassembled for delivery and re-assembled at customer's site, but also to be customized and upgraded on-site and over time.
- The unit is built on modularity concept for easy to add pre-wash and dryer modules on-site.
- Adjustable feet for full access underneath the machine for cleaning.
- The unit is designed for marine application as components is easily accessible from front for service and maintenance without removing the machine.

Sustainability



- Auto-start/stop equipped in different zones ensures that the zone runs only when a rack is passing through it. This reduces water, energy, chemical consumption and noise.
- All chambers without internal pipes and therefore no hidden dirt traps.
- Built-in stabilized pressure valve ensures constant pressure throughout the rinsing cycle regardless of inlet water pressure.
- Self-draining vertical wash pumps provide maximum hygiene.
- Automatic back-up mode is activated when a failure occurs. Guided troubleshooting for fast fixes including 150 precises notifications and 23 easy-to-follow processes.
- Dual rinse with stabilized pressure valve guarantees rinse water consumption of 1.2 liters/ rack regardless of inlet water pressure to ensure low energy, water, detergent and rinse aid consumption.

Optional Accessories

- Medium pre-wash zone for green&clean Dual Rinse Rack Type Dishwasher, 50Hz - Marine PNC 535130
- Medium hot air blower zone without door for Dual Rinse Rack Type dishwasher, 50Hz - Marine PNC 535135
- Large drying zone with door for green&clean Dual Rinse Rack Type Dishwasher, 50Hz - Marine PNC 535136
- Emergency stop kit for Rack Type Dishwasher (not for Basic handling system) PNC 865162
- End limit switch for short roller conveyor PNC 865218
- End limit switch for long roller conveyor (kit with two short rollers and end switch) PNC 865256
- Kit water meter PNC 865286
- Silicon curtains for single and dual rinse Rack Type dishwasher PNC 865503
- Kit electronic board for Dual Rinse Rack Type Dishwasher PNC 865506
- Kit delime & door cleaning for dual for Rinse Rack Rack Type Dishwasher PNC 865507
- Kit electronic connection for motorized table and remote pre wash module for Dual Rinse Rack Type Dishwasher PNC 865508
- Set of 6 baskets: 2 for trays, 2 for plates, 1 for cutlery and 1 for cups PNC 867050
- Set of 9 baskets: 2 for trays, 3 for plates, 2 for cutlery and 2 for cups PNC 867051

Components

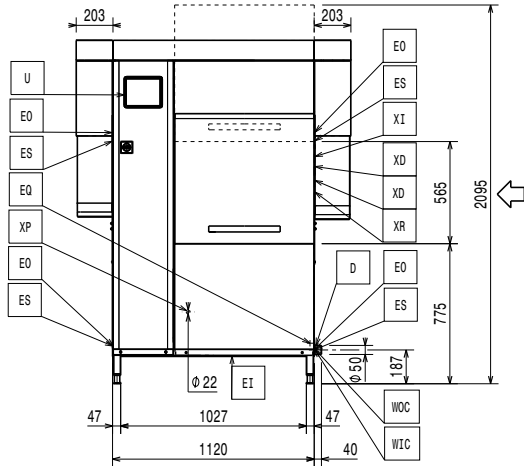
- 1 of **535126** (EDR150EC5M) Dual rinse rack type dishwasher, 150 racks/hour, CLEAR BLUE Filtering System, electric, touch screen, customized direction on-site, USPH compliant, 50Hz - Marine
 - **Shipping weight:** 265 kg
 - **Shipping height:** 1950 mm
 - **Shipping width:** 1010 mm
 - **Shipping depth:** 1260 mm
 - **Shipping volume:** 2.48 m³
 - **Current consumption:** 0 Amps
- 1 of **865510** (KITESDDRM) Kit ESD for Dual Rinse Rack Type Dishwasher (Marine)
 - **Shipping weight:** ISO 9001 kg
 - **Shipping height:** 490 mm
 - **Shipping width:** 740 mm
 - **Shipping depth:** 930 mm
 - **Shipping volume:** 0.34 m³
 - **Current consumption:** 0 Amps
- 1 of **865498** (KITSHSRE) Splash hood kit for single and dual rinse Rack Type Dishwasher, 200 mm
 - **Shipping weight:** 13 kg
 - **Shipping height:** 480 mm
 - **Shipping width:** 380 mm
 - **Shipping depth:** 780 mm
 - **Shipping volume:** 0.14 m³
 - **Current consumption:** 0 Amps



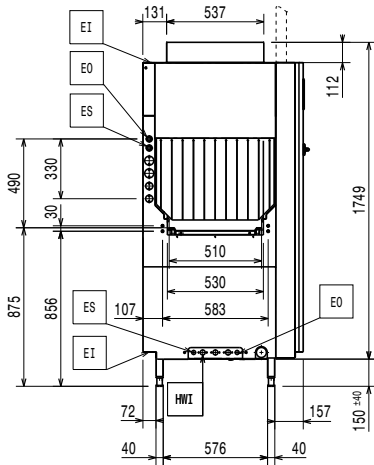
Electrolux
PROFESSIONAL

Warewashing
green&clean dual rinse rack type dishwasher
with Steam abatement, 150r/h, electric, 50Hz
(Marine)

Front

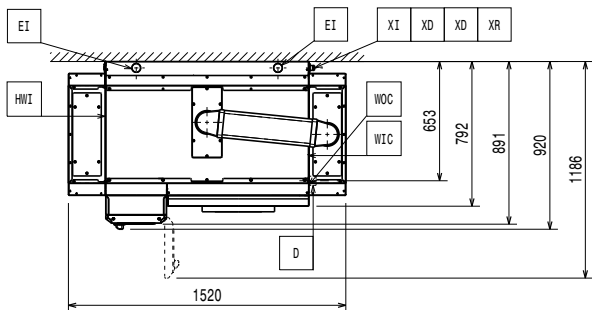


Side

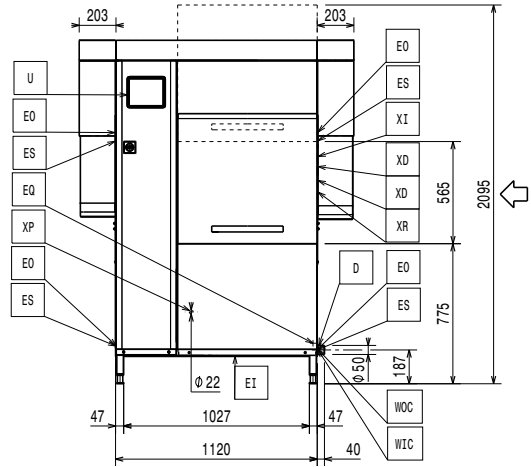


- CWI = Cold Water Inlet
- D = Drain
- EI = Electrical inlet (power)
- EO = Electrical Outlet
- EQ = Equipotential screw
- ES = Electrical signal IN/OUT
- HWI = Hot water inlet
- U = USB port
- WI = Water inlet

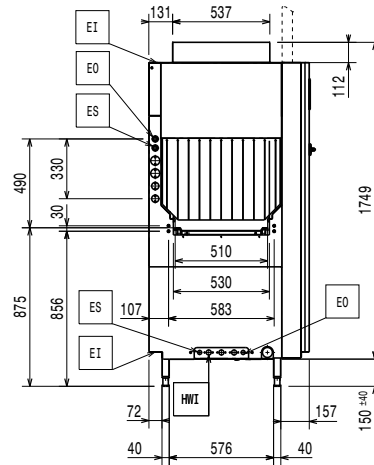
Top



Front

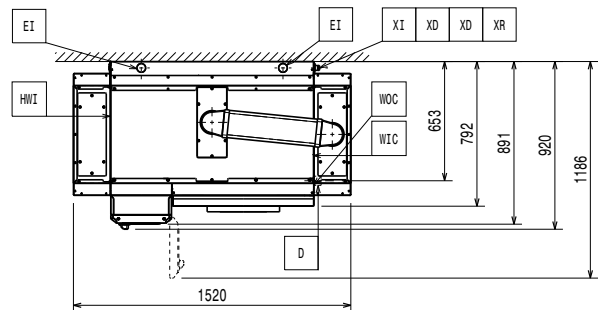


Side



- CWI = Cold Water Inlet
- D = Drain
- EI = Electrical inlet (power)
- EO = Electrical Outlet
- EQ = Equipotential screw
- ES = Electrical signal IN/OUT
- HWI = Hot water inlet
- U = USB port
- WI = Water inlet

Top





Electric

When the machine is run at DIN 10510 compliant speed.

Supply voltage:	400 V/3 ph/50 Hz
Default Installed Power:	42.1 kW
Boiler heating elements:	20 kW
Electrical power, min:	22.1 kW
Wash pump size:	1.2 kW
Wash tank heating elements:	20 kW

Water:

Inlet cold water line size:	G 3/4"
When below 7°FH/4°dH special detergent and rinse aid are needed.	
Peak rate of drain flow:	2.5 l/s
Wash tank size:	70 l
Inlet hot water line size:	G 3/4"
Drain line size:	50mm
Inlet water supply pressure:	1.5-6 bar
Inlet Water Supply temperature (Steam abatement):	5 - 10 °C
Inlet water supply temperature (wash and rinse):	50 - 65°C
Inlet water supply hardness:	5-8 °fH / 2.8-4.5°dH
Rinse water consumption:	180 l/h

Key Information:

For transportation purpose only, the depth can be reduced to either 895mm by removing the main switch button or 797mm by removing the control box and the door handle.

Reference norm used to measure the noise:
IEC60335-2-58 annex AA.

Table to table distance:	1120 mm
Height with door open:	2095 mm
Charging hole size (width):	530 mm
Productivity per hour (max. speed):	150 racks/2700dishes
Productivity per hour (medium speed):	114 racks/2052 dishes
External dimensions, Width:	1520 mm
External dimensions, Depth:	920 mm
External dimensions, Height:	1903 mm
Productivity per hour (DIN compliant speed):	82 racks/1476 dishes
Charging hole size (height):	490 mm
Wash Temperature:	71 - 76 °C
Final rinse temperature:	86 °C

Air Emission:

Air humidity (top, exit):	
CC0FVX (CC0FVX)	100 / 0 % r.h.
Latent heat:	
CC0FVX (CC0FVX)	4700 W
Sensible heat:	2000 W
Air flow (top, exit):	565 / 0 m³/h
Air temperature (top, exit):	26.5 °C

The data is measured at exhaust points at 25°C and 60% r.h. ambient conditions, 18°C inlet water temperature and refer only to the machine.

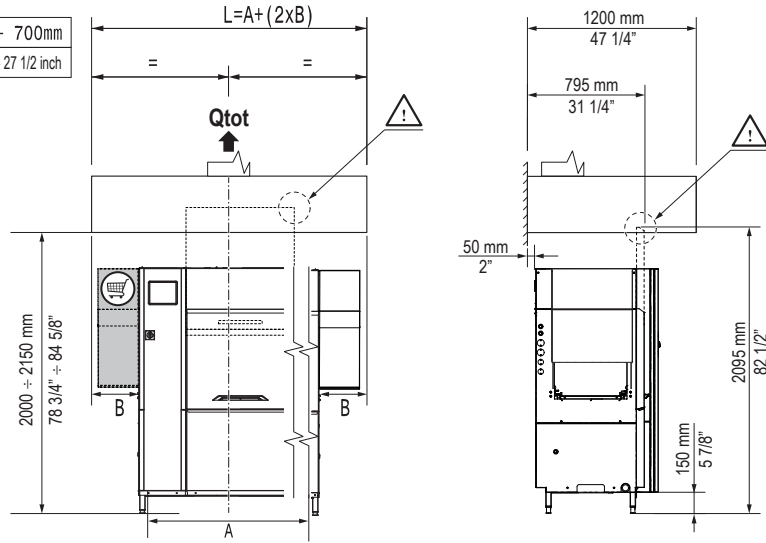
Sustainability

Noise level:	<62 dBA
Rinse water consumption at max speed:	1.2 l/rack

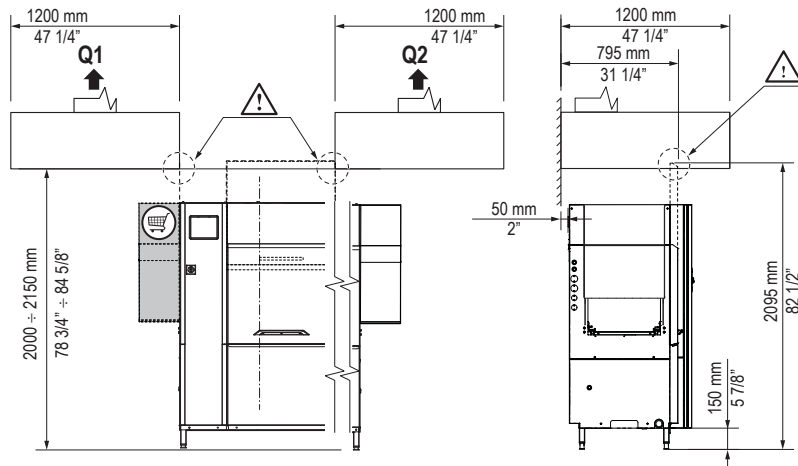
RECOMMENDED HOOD DESIGN OPTIONS

B	500 ÷ 700mm
B	19 5/8 ÷ 27 1/2 inch

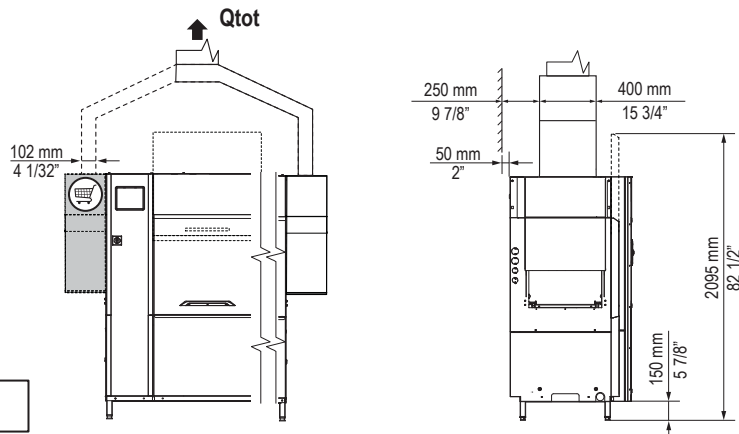
Qtot (VDI 2052)	
150 r/h no ESD no Dryer	2876 m³/h
150 r/h ESD no Dryer	1468 m³/h
150 r/h no ESD + 1 Dryer	3137 m³/h
150 r/h ESD + 1 Dryer	1600 m³/h
200 r/h no ESD no Dryer	3195 m³/h
200 r/h ESD no Dryer	1665 m³/h
200 r/h no ESD + 1 Dryer	3486 m³/h
200 r/h ESD + 1 Dryer	1817 m³/h
250 r/h no ESD no Dryer	3410 m³/h
250 r/h ESD no Dryer	1795 m³/h
250 r/h no ESD + 1 Dryer	3720 m³/h
250 r/h ESD + 1 Dryer	1958 m³/h




Qtot (VDI 2052)	
150 r/h no ESD no Dryer	2876 m³/h
150 r/h no ESD + 1 Dryer	3137 m³/h
200 r/h no ESD no Dryer	3195 m³/h
200 r/h no ESD + 1 Dryer	3486 m³/h
250 r/h no ESD no Dryer	3410 m³/h
250 r/h no ESD + 1 Dryer	3720 m³/h



Qtot (VDI 2052)	
150 r/h no ESD no Dryer	2876 m³/h
150 r/h no ESD + 1 Dryer	3137 m³/h
200 r/h no ESD no Dryer	3195 m³/h
200 r/h no ESD + 1 Dryer	3486 m³/h
250 r/h no ESD no Dryer	3410 m³/h
250 r/h no ESD + 1 Dryer	3720 m³/h



 Depending on the model.

All exhaust hoods must be dimensioned and installed according to local regulations and industry standards which may differ from the recommendations herein suggested. Electrolux Professional is not liable for any failure in complying with local design standards.

DOC. NO. 59566TD00
 EDITION 03.2022