

Vegetable Slicer TR260 Vegetable Slicer - 1 Speed - lever hopper on stand with 4 discs

ITEM # _____

MODEL # _____

NAME # _____

SIS # _____

AIA # _____


CC0H5P (TR260FLIVS)

Vegetable Slicer for high productivity, lever hopper with feed tray, on s/s trolley with disc rack, ejector included, 4 discs. 1 speed 330 rpm

Short Form Specification

Item No. _____

Universal vegetable slicer to serve 300 up to 1000 settings for table service and up to 4000 settings for catering service. 1 speed (330 rpm). 15000W self-braking motor. Stainless steel motor housing and aluminium basement. "No volt release" safety device. Touch button control panel with on/off and pulse function. Cutting disc diam. 300mm. Supplied with lever-operated hopper and mobile stainless steel support that incorporates a disc storage rack with 4 discs (2 slicing discs 2-3mm and 2 grating discs 2-3mm). The touch button control panel has IP55 protection with low voltage level.

Main Features

- Continuous feed model.
- "No volt release" safety device.
- Delivered with lever operated hopper and a mobile stainless steel support that incorporates a disc storage rack with 4 discs (2 slicing discs 2-3mm and 2 grating discs 2-3mm)
- Complete selection of blades and dicing grids available (diameter 300 mm).
- Magnetic safety system and motor brake. Prevents machine from running when lever swings away or is open.
- Vegetable slicer with slicing, grating, shredding (julienne) as well as dicing and French fries cutting capability.
- Available as option a long vegetable accessory to fit in the lever operated hopper converting it into a long vegetable hopper (3 cylindrical hoppers: 50, 59,5, 70 mm diameter)
- Available upon request:
Automatic cylindrical hopper (dia=280 mm), long vegetable hopper (3 tubes) and cabbage hopper.
- Equipped with half moon feed hopper and one round hopper for long vegetables.

Construction

- 1 speed: 330 rpm
- Power: 1500 watts.
- Stainless steel motor housing with aluminum basement and hoppers.

APPROVAL: _____



Components

- 1 of **603275** (TR260F1V) Vegetable Slicer for high productivity, motor unit, ejector included. 1 speed 330 rpm
- **Shipping weight:** 60 kg
- 1 of **653036** (LH260) Lever-operated hopper for TR260 (including feed tray)
- **Shipping weight:** 21 kg
- 1 of **653017** (MSX) Stainless steel mobile stand with 4 wheels (2 fixed and 2 pivoting with brake). Height: 730 mm
- **Shipping weight:** 14.96 kg
- 1 of **653212** (DRX) Stainless steel disc rack for 300 dia. discs
- **Shipping weight:** 3.3 kg
- 1 of **650150** (J302N) Stainless steel grating disc 2 mm (dia. 300 mm)
- **Shipping weight:** 1.83 kg
- 1 of **650151** (J303N) Stainless steel grating disc 3 mm (dia. 300 mm)
- **Shipping weight:** 1.82 kg
- 1 of **653172** (C302) Slicing disc 2 mm (dia. 300 mm)
- **Shipping weight:** 2.11 kg
- 1 of **653173** (C303) Slicing disc 3 mm (dia. 300 mm)
- **Shipping weight:** 3 kg

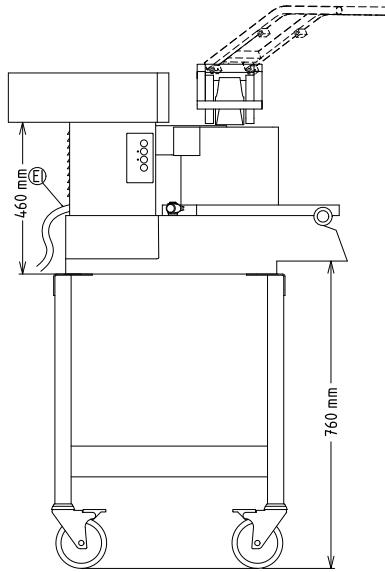
Optional Accessories

- Feed tray to be combined with cabbage hopper and long vegetable hopper PNC 650036
- Stainless steel grating disc for parmesan (dia. 300 mm) PNC 650148
- Stainless steel grating disc for knoedeln (dia. 300 mm) PNC 650149
- Stainless steel grating disc 2 mm (dia. 300 mm) PNC 650150
- Stainless steel grating disc 3 mm (dia. 300 mm) PNC 650151
- Stainless steel grating disc 4 mm (dia. 300 mm) PNC 650152
- Stainless steel grating disc 7 mm (dia. 300 mm) PNC 650153
- Stainless steel grating disc 9 mm (dia. 300 mm) PNC 650154
- Stainless steel cabbage grating disc with central shaft for stem removal 7 mm - to be combined with cabbage hopper PNC 650157
- Cabbage slicing disc with central shaft for stem removal 1mm (to be used with cabbage feed hopper) PNC 653009
- Stainless steel mobile stand with 4 wheels (2 fixed and 2 pivoting with brake). Height: 730 mm PNC 653017
- Lever-operated hopper for TR260 (including feed tray) PNC 653036
- Automatic feed hopper for TR260 PNC 653037
- Large hopper for TR260, diam. 280mm PNC 653048
- Dicing grid 10 mm for TR260 PNC 653051
- Dicing grid 16 mm for TR260 PNC 653052
- Dicing grid 20 mm for TR260 PNC 653053
- Dicing grid 25 mm for TR260 PNC 653054
- Dicing grid 32 mm for TR260 PNC 653055
- Slicing disc 2 mm (dia. 300 mm) PNC 653172
- Slicing disc 3 mm (dia. 300 mm) PNC 653173
- Slicing disc 1 mm (dia. 300 mm) PNC 653188
- Slicing disc 5 mm (dia. 300 mm) PNC 653189
- Slicing disc 6 mm (dia. 300 mm) PNC 653190
- Slicing disc 8 mm (dia. 300 mm) PNC 653191
- Slicing disc 10 mm (dia. 300 mm) PNC 653192

- Slicing disc 16 mm (dia. 300 mm) PNC 653193
- Shredding disc 2x2 mm (dia. 300 mm) PNC 653195
- Shredding disc 3x3 mm (dia. 300 mm) PNC 653196
- Shredding disc 4x4 mm (dia. 300 mm) PNC 653197
- Shredding disc 6x6 mm (can also be used for chips - dia. 300 mm) PNC 653198
- Shredding disc 8x8 mm (can also be used for chips - dia. 300 mm) PNC 653199
- Shredding disc 10x10 mm (can also be used for chips - dia. 300 mm) PNC 653200
- Stainless steel disc rack for 300 dia. discs PNC 653212
- Disc with corrugated blades 2 mm (dia. 300 mm) PNC 653217
- Disc with corrugated blades 3 mm (dia. 300 mm) PNC 653218
- Disc with corrugated blades 6 mm (dia. 300 mm) PNC 653219
- Long vegetable accessory for TR260 lever-operated hopper (to change the lever-operated hopper into long vegetable hopper) PNC 653223
- Stainless steel trolley suitable to hold one 2/1 GN container (GN container not included) PNC 653224
- Cabbage slicing disc with central shaft for stem removal 2 mm (to be used with cabbage feed hopper) PNC 653227
- Cabbage slicing disc with central shaft for stem removal 3 mm (to be used with cabbage feed hopper) PNC 653228
- Dicing grid 12 mm for TR260 PNC 653301
- Long vegetable hopper with 3 tubes diam. 50 to 70 mm for TR260 PNC 653306
- 3 disc set TR260/TR300: 3mm grater, 3mm and 5mm slicer (dia.300mm) PNC CC001F
- 5 disc set TR260/TR300: 3mm grater, 3mm, 5mm, 10mm slicer, 10x10mm dicing grid (dia.300mm) PNC CC001G

Vegetable Slicer TR260 Vegetable Slicer - 1 Speed - lever hopper on stand with 4 discs

Front

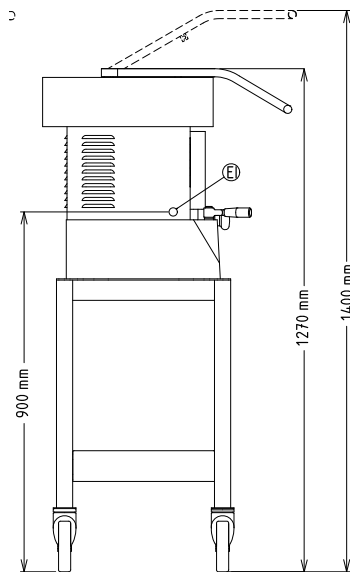

Electric

Supply voltage:	220-240 V/1N ph/50 Hz
Electrical power, max:	1.5 kW
Total Watts:	1.5 kW

Key Information:

External dimensions, Width:	610 mm
External dimensions, Depth:	830 mm
External dimensions, Height:	1270 mm

Side



EI = Electrical inlet (power)

Top

