

## Handling System for Hood type Dishwasher Table Unloading/ Loading, 600mm

ITEM # \_\_\_\_\_

MODEL # \_\_\_\_\_

NAME # \_\_\_\_\_

SIS # \_\_\_\_\_

AIA # \_\_\_\_\_



865302 (BHHLU06)

 Dishwasher table, loading &  
unloading, 600mm

### Short Form Specification

Item No. \_\_\_\_\_

For hood type dishwashers. Constructed in 304 AISI stainless steel. N.2 square 40x40mm square legs on height-adjustable feet. Basket direction: from right to left and from left to right.

"DO NOT INSTALL IN FRONT OF HOOD TYPE DW IN CASE OF CORNER INSTALLATION"

APPROVAL: \_\_\_\_\_

### Main Features

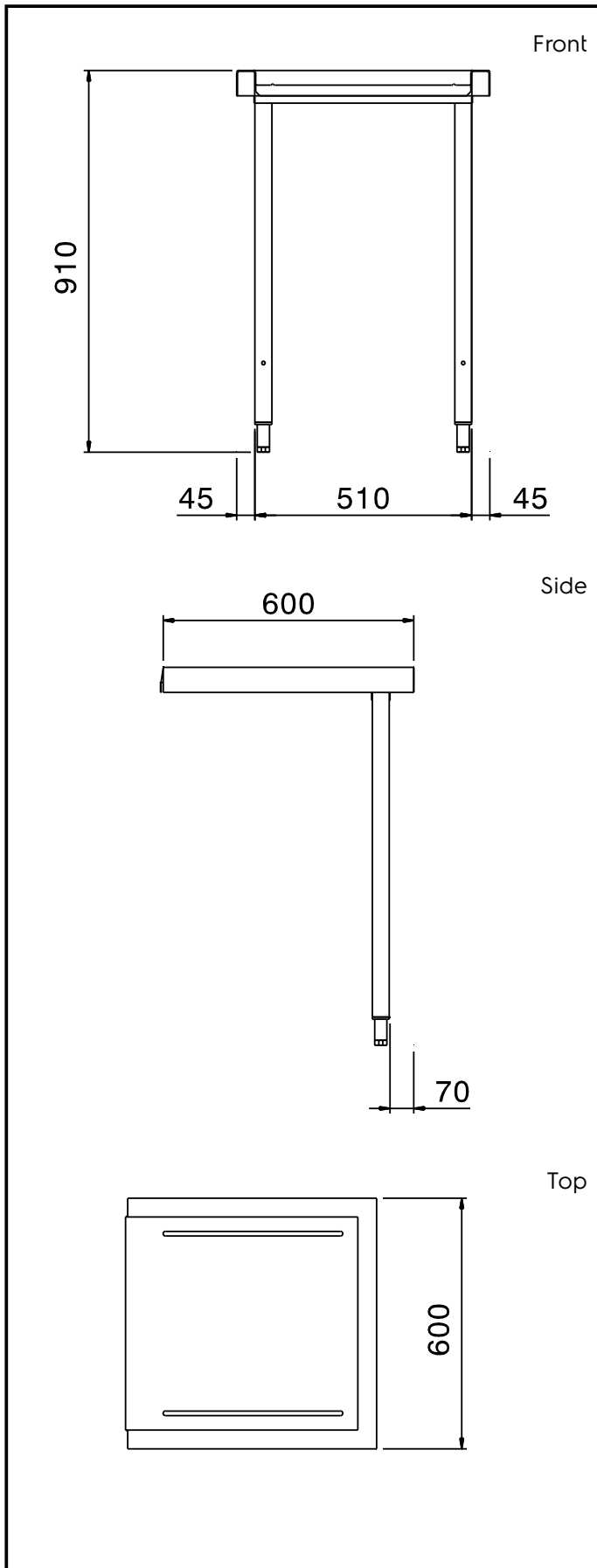
- Supplied knocked-down and easy to assemble.
- Designed for 500x500 mm dishwashing racks.
- Connection to dishwasher possible on the left, front or right side.
- Not suitable to be connected on the front side in case of corner installation.

### Construction

- Stainless steel feet 50 mm adjustable in height to ensure that tables drain back into the dishwasher.
- All surfaces smooth with polished finish.
- 40x40 mm square tubular legs in AISI 304 stainless steel.
- Deep anti-drip profiles completely folded with lower edge for safe and easy cleaning.
- 304 AISI stainless steel construction throughout.
- To be secured to the dishwasher and fitted with one pair of legs at the other end.

### Optional Accessories

- Undershelf for Dishwasher table, 600mm PNC 865350
- Floor fastening kit for 2 square legs PNC 865386



**Key Information:**

External dimensions, Width: 865302 (BHHLU06)	600 mm
External dimensions, Depth:	600 mm
External dimensions, Height:	910 mm
Net weight:	6 kg