



## Cooking accessories External spray unit

ITEM # \_\_\_\_\_

MODEL # \_\_\_\_\_

NAME # \_\_\_\_\_

SIS # \_\_\_\_\_

AIA # \_\_\_\_\_



922171 (EXSISPUN)

External side spray unit  
(needs to be mounted  
outside and includes  
support to be mounted on  
the oven)

### Main Features

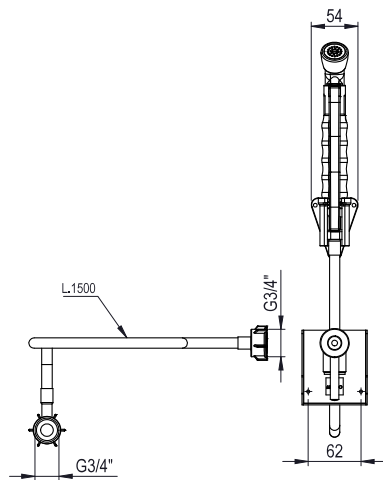
- Includes a support to be mounted on the external side panel of the oven.

APPROVAL: \_\_\_\_\_

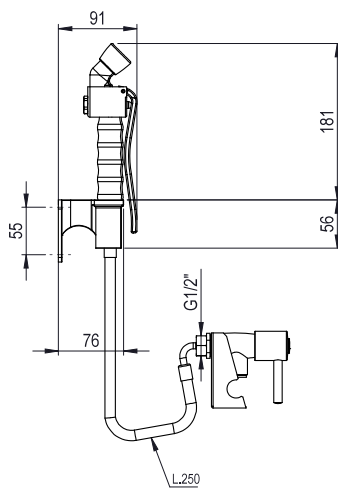


Experience the Excellence  
[www.electroluxprofessional.com](http://www.electroluxprofessional.com)

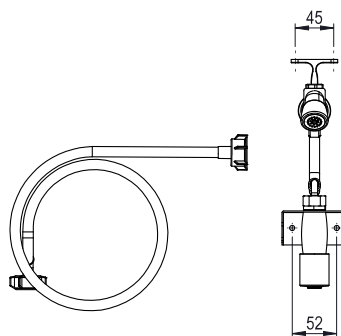
Front



Side



Top



**Water:**

**Pressure, bar min/max:**

922171 (EXSISPUN) 1-5 bar

**Capacity at 250 kPa (l/min):** 0

**Key Information:**

**External dimensions, Width:** 220 mm

**External dimensions, Depth:** 220 mm

**External dimensions, Height:** 220 mm

**Net weight:** 2 kg