

Peelers

Mussel-Shell cleaner, 5 kg with filter & removable compartment

ITEM # _____

MODEL # _____

NAME # _____

SIS # _____

AIA # _____


601305 (T5MFB)

Mussel-Shell Cleaner, 5kg with filter & removable compartment - 220-240V/1/50

Short Form Specification

Item No. _____

Special model for mussels/seashells. Can be placed on a worktop. 5 kg, removable stainless steel cleaning chamber contains the cleaning plate which also serves as a container for carrying the products. Seashells can be loaded directly into the cleaning chamber, away from the machine. Easily assembled onto the base, with the drive shaft fitting into the centre of the plate. The transparent cover closes the cylinder during the cleaning operations. Timer pre-set to 3 minutes. Cleaning speed: 208 rpm. Removable water inlet, on the cover, designed to serve as a spray for cleaning the machine. The electronic controls and the motor of the peeler have IP55 protection. Optional kit to change into a vegetable peeler. Supplied with seashell plate and integrated/removable filter basket.

Main Features

- Removable stainless steel cleaning chamber to contain the cleaning plate which also serves as a container.
- Supplied with a special shellfish plate and filter basket.
- Removable water inlet, clipped to the cover, designed to serve as a spray to clean the machine.
- Red OFF, green ON buttons.
- Integrated built-in filter device, removable for cleaning.
- Cleaning time on timer preset to 3 minutes
- Easily fits onto the base, with the drive shaft fitting into the center of the plate.
- Dishwasher safe removable parts.
- Transparent lid to close the cylinder during cleaning operations.
- Unit can be placed on a work top.
- Productivity suitable for 30-100 meals per service.

Construction

- 1 speed: 208 rpm.
- IP55 waterproof control buttons.
- Transparent BPA free cover.

Included Accessories

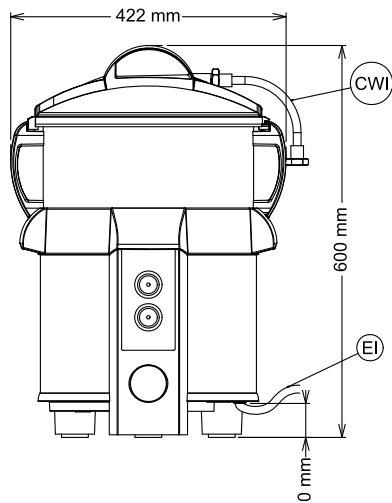
- 1 of Seashell plate for 5 kg mussel/shell cleaner (not for models with abrasive cylinder) PNC 653486
- 1 of Filter basket for 8 kg vegetable peeler and 5/8 kg seashell cleaners PNC 653514

Optional Accessories

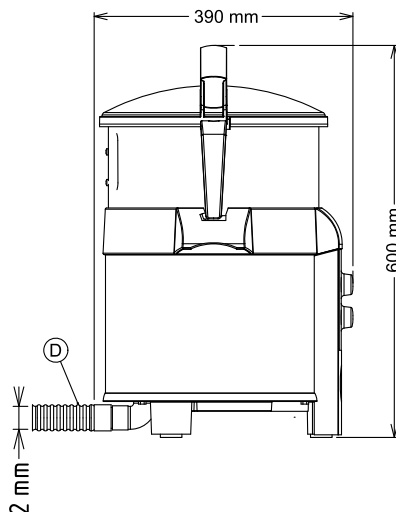
- Seashell plate for 5 kg mussel/shell cleaner (not for models with abrasive cylinder) PNC 653486
- Stainless steel table for 5 and 8 kg vegetable peelers PNC 653496
- Filter basket for 8 kg vegetable peeler and 5/8 kg seashell cleaners PNC 653514
- Conversion kit for T5M. Includes abrasive cylinder and abrasive plate PNC 653515

APPROVAL: _____

Front

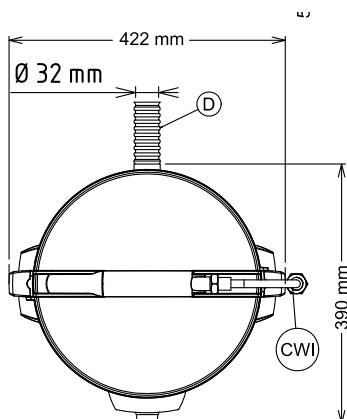


Side



CWI = Cold Water inlet 1 (cleaning)
 D = Drain
 EI = Electrical inlet (power)

Top



Electric

Supply voltage:

601305 (T5MFB)

220-240 V/1N ph/50/60 Hz

Capacity:

Performance (up to):

80 - kg/hour

Capacity (up to):

5 kg

Key Information:

External dimensions, Width: 424 mm

External dimensions, Depth: 390 mm

External dimensions, Height: 590 mm

Shipping weight:

26 kg