

Handling System for Hood type Pre-wash Table with Bowl Right to Left, 800mm

ITEM # _____

MODEL # _____

NAME # _____

SIS # _____

AIA # _____


865306 (BHHPTB08R)

 Prewash table with
 500x400mm bowl for Hood
 Type, r>l, 800mm

Short Form Specification

Item No. _____

For hood type dishwashers. Constructed in 304 AISI stainless steel with backsplash mm250h. N. 2 square 40x40mm tubular legs on height-adjustable feet. Bowl size mm500x400x250h with overflow pipe and drain hole. Basket direction: from right to left.

Main Features

- Supplied knocked-down and easy to assemble.
- Designed for 500x500 mm dishwashing racks.
- Plain undershelves and pre-rinse units available as optional accessories.

Construction

- Stainless steel feet 50 mm adjustable in height to ensure that tables drain back into the dishwasher.
- Included splashback to prevent water spatter.
- Deep anti-drip profiles completely folded with lower edge for safe and easy cleaning.
- All surfaces smooth with polished finish.
- 40x40 mm square tubular legs in AISI 304 stainless steel.
- Constructed entirely in 304 AISI stainless steel.
- To be secured to the dishwasher and fitted with one pair of legs at the other end.

Optional Accessories

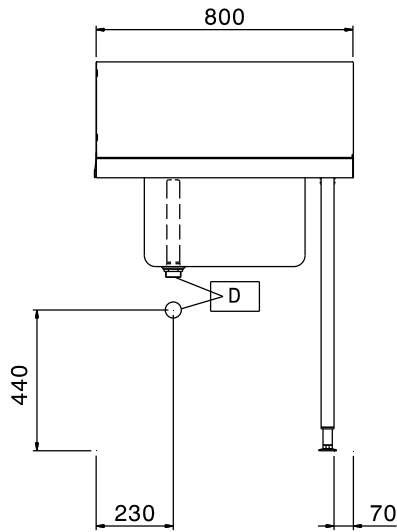
- Prewash spray Unit, single hole PNC 855315
- Strainer basket for prewash tables PNC 864068
- Undershelf for Dishwasher table, 800mm PNC 865351
- Floor fastening kit for 2 square legs PNC 865386
- Single plastic drain syphon 2" for Sinks PNC 895313

APPROVAL: _____

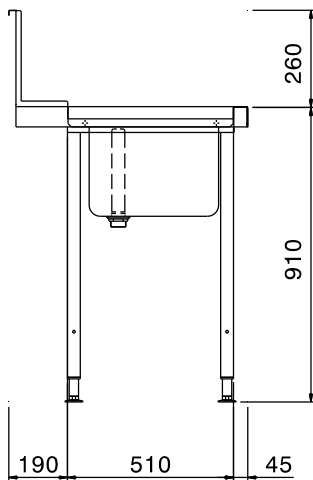
Key Information:

External dimensions, Width:	
865306 (BHHPTB08R)	800 mm
External dimensions, Depth:	745 mm
External dimensions, Height:	1170 mm
Net weight:	6 kg
Splashback Dimensions, Height:	300 mm
Basin dimensions:	500x400x300h

Front



Side



Top

