

Handling System for Dishwasher Short roller conveyors 1

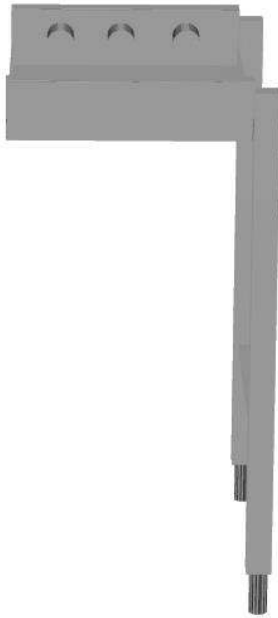
ITEM # _____

MODEL # _____

NAME # _____

SIS # _____

AIA # _____



863137 - 863138 - 863139 - 863140 - 863141 - 863142

Short Form Specification

Item No. _____

Constructed in 304 AISI stainless steel. Basin with sloping bottom and drain. Short plastic rollers. Square 40x40mm square legs with height-adjustable feet. Designed for 500x500mm dishwashing baskets. Knock-down delivery.

Main Features

- The table can be used in loading and/or unloading sides.
- Suitable to install either a single unit with dishwasher or combined with other tables.
- The table is suitable for both rack type and hood type dishwasher. Rack type dishwasher can be connected directly to the table, while there are optional accessories to adapt the table with hood type dishwasher.
- Conveyors supplied as knockdown and easy to assemble.
- "Key holes" and "snap on" system reduces the number of screws needed for fast and easy installation.
- Improved end limit switch for easier cleaning and higher reliability.
- Manual rack movement with short rollers.
- Drain can be turned 360°.
- Designed to transport 500x500 mm dishwashing baskets.

Construction

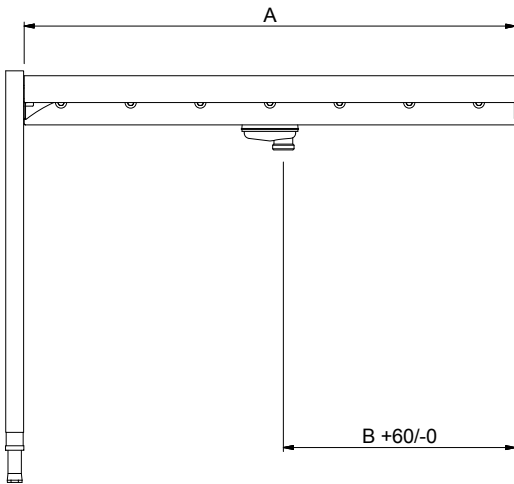
- Two legs included.
- Stainless steel feet 50 mm adjustable in height to align the operation height between the dishwasher and table.
- Thick welded flanges for sturdy connection between the units.
- All surfaces smooth with polished finish.
- 40x40 mm square tubular legs in AISI 304 stainless steel.
- AISI 304 1,2mm stainless steel basin.
- Self-bearing undershelf eliminates the need for additional frames.
- Conveyors optionally equipped with end-limit switch, end plate, guides for racks, and undershelves.
- Sloping bottom of the table grants a smooth and rapid drainage.

Sustainability

- The short roller conveyor is available in 600mm length and from 1100mm up to 2600mm with 100mm-step length.

APPROVAL: _____

Front


Key Information:
External dimensions, Width:

| | |
|------------------|---------|
| 863137 (HSSRC4) | 400 mm |
| 863138 (HSSRC5) | 500 mm |
| 863139 (HSSRC7) | 700 mm |
| 863140 (HSSRC8) | 800 mm |
| 863141 (HSSRC9) | 900 mm |
| 863142 (HSSRC10) | 1000 mm |

External dimensions, Depth:

620 mm

External dimensions, Height:

910 mm

Net weight:

| | |
|------------------|-------|
| 863137 (HSSRC4) | 9 kg |
| 863138 (HSSRC5) | 9 kg |
| 863139 (HSSRC7) | 11 kg |
| 863140 (HSSRC8) | 12 kg |
| 863141 (HSSRC9) | 13 kg |
| 863142 (HSSRC10) | 14 kg |

Height adjustment:

50/50 mm

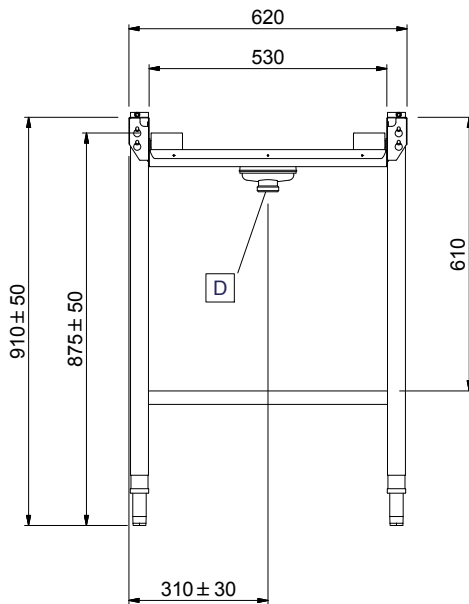
Basin material:

 Stainless Steel AISI 304 - EN
 1.4301

Type of rollers:

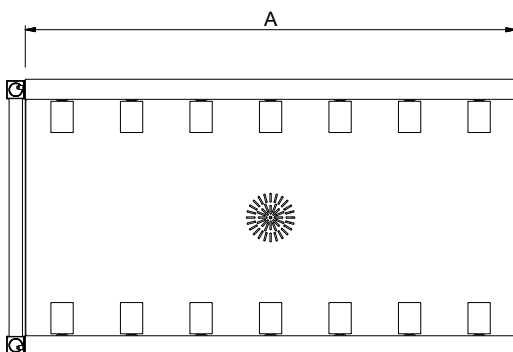
Short

Side



D = Drain

Top



| | 863137 | 863138 | 863139 | 863140 | 863141 | 863142 |
|--|--------|--------|--------|--------|--------|--------|
| 865162 - Emergency stop kit for Rack Type Dishwasher (not for Basic handling system) | ✓ | ✓ | ✓ | ✓ | ✓ | ✓ |
| 865163 - Connection plate (short) for left side to connect handling system to hood type | ✓ | ✓ | ✓ | ✓ | ✓ | ✓ |
| 865164 - Connection plate (long) for front and right side to connect handling system to hood type | ✓ | ✓ | ✓ | ✓ | ✓ | ✓ |
| 865217 - End plate for conveyor table | ✓ | ✓ | ✓ | ✓ | ✓ | ✓ |
| 865218 - End limit switch for short roller conveyor | ✓ | ✓ | ✓ | ✓ | ✓ | ✓ |
| 865219 - Plain undershelf for roller conveyor, 600 mm | | | ✓ | ✓ | ✓ | ✓ |
| 865234 - Connection bracket for plain undershelf and grid undershelf (to be used if roller conveyor is connected directly to Rack Type Dishwasher) | ✓ | ✓ | ✓ | ✓ | ✓ | ✓ |
| 865235 - Connection bracket for plain undershelf and grid undershelf (to be used if roller conveyor is connected directly to Rack Type Dishwasher with splash hood) | ✓ | ✓ | ✓ | ✓ | ✓ | ✓ |
| 865236 - Grid undershelf, 600 mm | | | ✓ | ✓ | ✓ | ✓ |
| 865253 - Inclined extension table for roller conveyor | ✓ | ✓ | ✓ | ✓ | ✓ | ✓ |
| 865452 - Plain undershelf for roller conveyor, 800 mm | | | | ✓ | ✓ | ✓ |
| 865453 - Grid undershelf, 800 mm | | | | ✓ | ✓ | ✓ |

Optional Accessories