

Service Trolleys

Soaking Sink Trolley for Cutlery - 610 mm

ITEM # _____

MODEL # _____

NAME # _____

SIS # _____

AIA # _____



361264 (SSTR06)

Soaking Sink Trolley for
cutlery 610mm

Short Form Specification

Item No. _____

Constructed in 304 AISI stainless steel. Framework in mm25 tubing, completely welded. The basin can accommodate bulk cutlery or n.1 dishwashing basket mm500x500. Drain valve with twist handle. N. 4 swivelling castors, two with brakes, mm125 in diameter.

Main Features

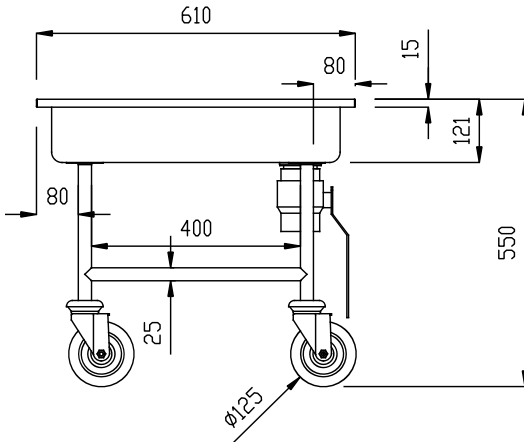
- Framework in 25 mm tubing, completely welded.
- Basin to accommodate bulk cutlery or 1 dishwashing basket 500x500mm.
- Unit to have a drain valve with twist handle.
- 4 pivoting Ø 125 mm wheels, 2 of which with brakes, fitted with plastic bumpers

Construction

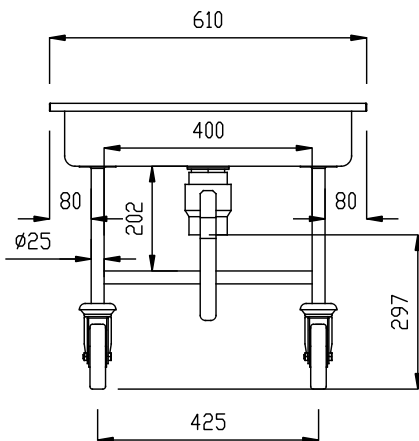
- Constructed entirely in 304 AISI stainless steel.

APPROVAL: _____

Front

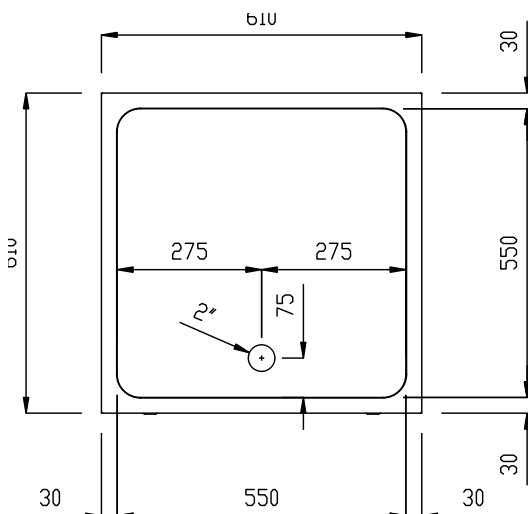


Side



D = Drain

Top



Key Information:

External dimensions, Width:	610 mm
361264 (SSTR06)	610 mm
External dimensions, Depth:	610 mm
External dimensions, Height:	550 mm
Wheel material:	Zinc plated
Wheel diameter:	Ø 125
Net weight:	20 kg