

## Plug In SpeedDelight with flexible plate, ribbed removable teflon plate

ITEM # \_\_\_\_\_

MODEL # \_\_\_\_\_

NAME # \_\_\_\_\_

SIS # \_\_\_\_\_

AIA # \_\_\_\_\_


**603885**  
**(HSG3RPRSE3)**

 SpeedDelight with Flexible Top ribbed Contact  
 Plate, dark grey

### Short Form Specification

#### Item No.

It combines 3 cooking technologies: contact, infrared radiation and microwaves to provide perfectly cooked food, heated to the core. The Energy Saving Mode automatically switches to stand-by after an amount of time settled by the operator (from 1 to 60 minutes). Delivered with USB port and wi-fi connection to optimize workflows allowing local and remote interaction (temperatures, countdowns, warnings). Lid, back cover and bottom all in AISI 304 S/S. Automatic lifting of the lid at the end of the cooking cycle via mechanical spring. Aluminum ribbed top contact plate (215 x 215 mm) treated with a special non-stick coating; smooth 4 mm thick quartz glass bottom cooking surface (250 x 250 mm). Front air inlet and back outlet for efficient cooling ventilation allows easy air filters removal and side by side installation. 2 temperature probes for an independent control of the top and bottom plate temperature. Electronic control with digital LED display with adjustable brightness and countdown display and buzzer with adjustable volume at the end of the cycle. 800W electrical armored heating elements on the bottom plate. 800W heating element on the top plate. 2x1080W magnetrons for microwave. Ergonomic handle for easy movement of the lid. 8 preloaded programs (editable): P1 = 70 sec. (12 sec. MW) P2 = 80 sec. (12 sec. MW) P3 = 60 sec. (20 sec. MW) P4 = 75 sec. (20 sec. MW) P5 = 85 sec. (25 sec. MW) P6 = 85 sec. (18 sec. MW) P7 = 30 sec. (25 sec. MW) P8 = 12 sec. (no MW) With Top temperature = 249° C and bottom temperature = 220° C

### Main Features

- It combines 3 cooking technologies: contact, infrared radiation and microwaves to provide perfectly cooked food, heated to the core.
- Self adjusting ribbed upper plate to heat food adapting to its thickness.
- The Energy Saving Mode automatically switches to stand-by after an amount of time settled by the operator (from 1 to 60 minutes).
- Delivered with USB port and wi-fi connection to optimize workflows allowing local and remote interaction (temperatures, countdowns, warnings).
- Electronic control with digital 4.3" LED display with adjustable brightness.
- Countdown display and buzzer with adjustable volume at the end of the cycle.
- Automatic mechanical lid holding and opening system controlled.
- IPx4 water protection.
- Ergonomic handle for easy movement of the lid.
- Compliant with Regulation (EC) No 1935/2004 and its amendments, Regulation (EC) No 2023/2006 and its amendments.
- 8 pre-loaded programs (editable):
  - P1 = 70 sec. (12 sec. MW)
  - P2 = 80 sec. (12 sec. MW)
  - P3 = 60 sec. (20 sec. MW)
  - P4 = 75 sec. (20 sec. MW)
  - P5 = 85 sec. (25 sec. MW)
  - P6 = 85 sec. (18 sec. MW)
  - P7 = 30 sec. (25 sec. MW)
  - P8 = 12 sec. (no MW)
 With Top temperature = 249° C and bottom temperature = 220° C
- Connectivity ready for real time access to connected appliances from remote and data monitoring (requires optional accessory - contact the Company for more details).

APPROVAL: \_\_\_\_\_



### Construction

- 2 temperature probes for an independent control of the top and bottom plate temperature.
- Aluminum ribbed top contact plate (215 x 215 mm) treated with a special non-stick coating.
- Smooth 4 mm thick quartz glass bottom cooking surface (250 x 250 mm).
- Automatic lifting of the lid at the end of the cooking cycle via mechanical spring.
- Lid, back cover and bottom all in AISI 304 S/S.
- Lid covers, handle and side panels in high-grade reinforced composite material.
- 800W heating element on the top plate.
- 800W electrical armored heating element on the bottom plate.
- 2 x 1050W magnetrons for microwave.
- Front air inlet and back outlet for efficient cooling ventilation allows easy air filters removal and side by side installation.
- Delivered with IEC 309 3P+N+E IP44 380/480V 16A plug.
- Independent temperature setting of the top and bottom plates from 50 to 250 °C.

### Included Accessories

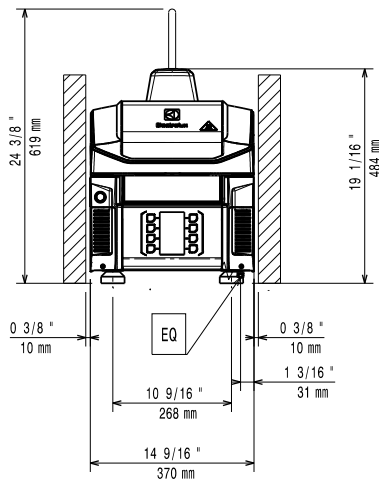
- 1 of Glass saver for SpeeDelight PNC 653527
- 1 of Cleaning brush for SpeeDelight PNC 653623
- 1 of Spatula for SpeeDelight PNC 653625
- 1 of 4 rubber feet - Height = 26 mm for SpeeDelight PNC 653792

### Optional Accessories

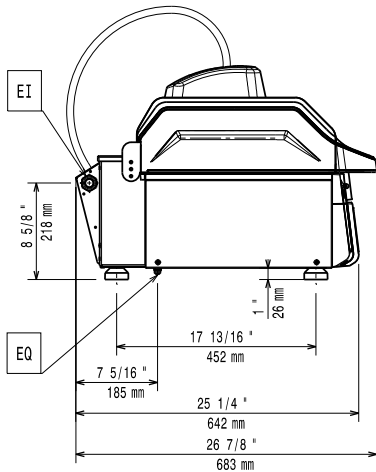
- Glass saver for SpeeDelight PNC 653527
- Cleaning brush for SpeeDelight PNC 653623
- Spatula for SpeeDelight PNC 653625
- Spray bottle (0,5lt) for detergent - SpeeDelight PNC 653695
- Removable ribbed teflon plate for SpeeDelight PNC 653787
- 4 stainless steel feet - Height = 76 mm for SpeeDelight PNC 653791
- 4 rubber feet - Height = 40 mm for SpeeDelight PNC 653793
- Connectivity services hub (router) PNC 922697
- Connectivity services hub (router for sim card) PNC 922705



Front

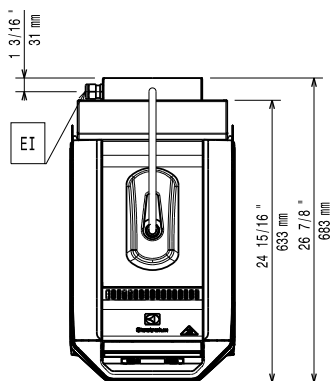


Side



EI = Electrical inlet (power)  
 EO = Electrical Outlet

Top



## Electric

### Supply voltage:

603885 (HSG3RPRSE3) 380-400 V/3N ph/50 Hz

### Rated amps:

9 A

### Total Watts:

5 kW

## Installation:

Clearance: 190mm from rear vertical panel

## Key Information:

External dimensions, Width: 361 mm

External dimensions, Height: 630 mm

External dimensions, Depth: 675 mm

Net weight: 47 kg

Shipping weight: 60 kg

Shipping height: 700 mm

Shipping width: 450 mm

Shipping depth: 760 mm

Shipping volume: 0.24 m<sup>3</sup>