

**Service Trolleys**  
**Two Tier Service Trolley with**  
**Handle 1200 mm**

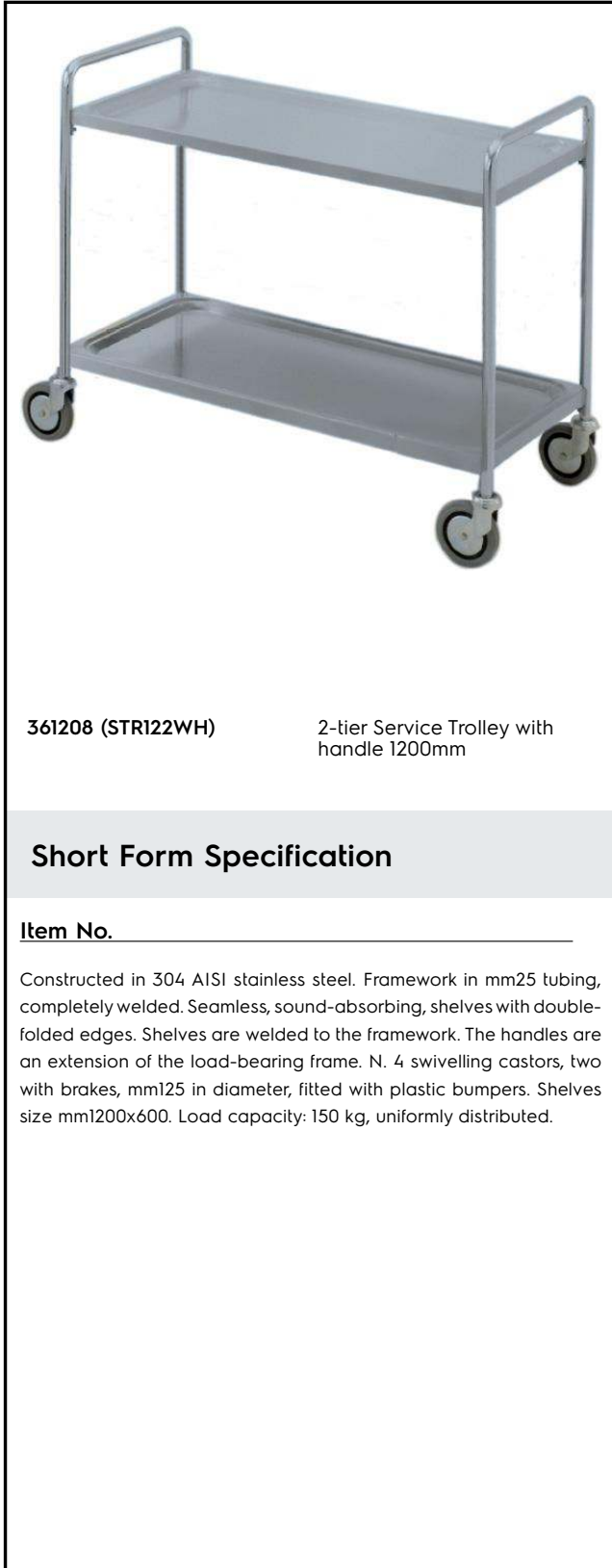
ITEM # \_\_\_\_\_

MODEL # \_\_\_\_\_

NAME # \_\_\_\_\_

SIS # \_\_\_\_\_

AIA # \_\_\_\_\_



361208 (STR122WH)

2-tier Service Trolley with  
handle 1200mm

### Short Form Specification

Item No. \_\_\_\_\_

Constructed in 304 AISI stainless steel. Framework in mm25 tubing, completely welded. Seamless, sound-absorbing, shelves with double-folded edges. Shelves are welded to the framework. The handles are an extension of the load-bearing frame. N. 4 swivelling castors, two with brakes, mm125 in diameter, fitted with plastic bumpers. Shelves size mm1200x600. Load capacity: 150 kg, uniformly distributed.

### Main Features

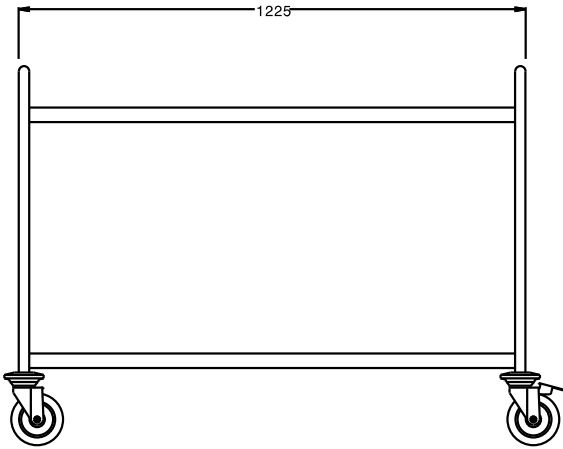
- Framework in 25 mm tubing, completely welded.
- Seamless sound-absorbing shelves with double-folded edges welded to the framework.
- Shelves size 1200x600 mm.
- Strong, ergonomic handle is an extension of the load-bearing frame.
- 4 pivoting Ø 125 mm wheels, 2 of which with brakes, fitted with plastic bumpers
- Load capacity of 150 kg uniformly distributed.

### Construction

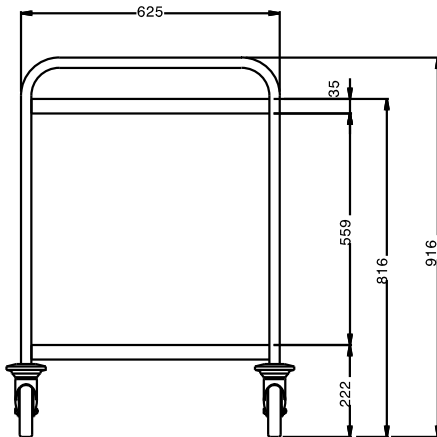
- Constructed entirely in 304 AISI stainless steel.

APPROVAL: \_\_\_\_\_

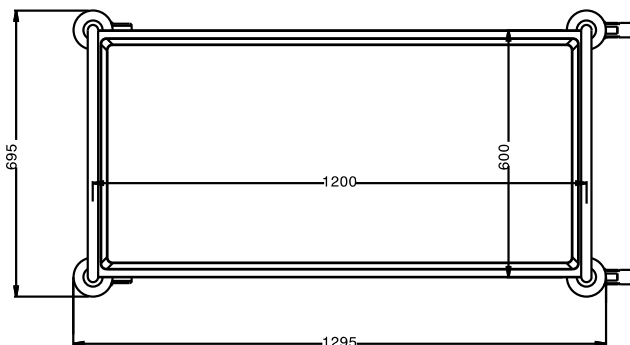
Front



Side



Top



**Key Information:**

|                              |             |
|------------------------------|-------------|
| External dimensions, Width:  |             |
| <b>361208 (STR122WH)</b>     | 1295 mm     |
| External dimensions, Depth:  | 695 mm      |
| External dimensions, Height: | 916 mm      |
| Wheel material:              | Zinc plated |
| Wheel diameter:              | Ø 125       |
| Net weight:                  | 25 kg       |