

## Service Trolleys

### Two Tier Service Trolley with Handle 600 mm

ITEM # \_\_\_\_\_

MODEL # \_\_\_\_\_

NAME # \_\_\_\_\_

SIS # \_\_\_\_\_

AIA # \_\_\_\_\_



361200 (STR602WH)

2-tier Service Trolley with handle 600mm

### Short Form Specification

Item No. \_\_\_\_\_

Constructed in 304 AISI stainless steel. Framework in mm25 tubing, completely welded. Seamless, sound-absorbing, shelves with double-folded edges. Shelves are welded to the framework. The handles are an extension of the load-bearing frame. N. 4 swivelling castors, two with brakes, mm125 in diameter, fitted with plastic bumpers. Shelves size mm600x600. Load capacity: 100 kg, uniformly distributed.

### Main Features

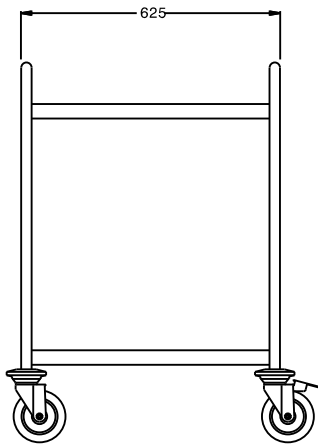
- Framework in 25 mm tubing, completely welded.
- Load capacity of 100 kg uniformly distributed.
- Seamless sound-absorbing shelves with double-folded edges welded to the framework.
- Shelves size 600x600 mm.
- Strong, ergonomic handle is an extension of the load-bearing frame.
- 4 pivoting Ø 125 mm wheels, 2 of which with brakes, fitted with plastic bumpers

### Construction

- Constructed entirely in 304 AISI stainless steel.

APPROVAL: \_\_\_\_\_

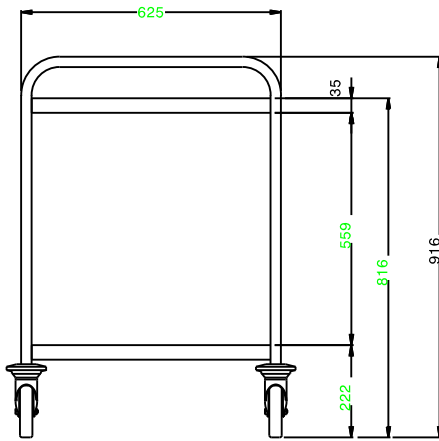
Front



**Key Information:**

External dimensions, Width:	695 mm
361200 (STR602WH)	
External dimensions, Depth:	695 mm
External dimensions, Height:	916 mm
Wheel material:	Zinc plated
Wheel diameter:	Ø 125
Net weight:	18 kg

Side



Top

