

Peelers

Vegetable Peeler, 8kg with abrasive plate, removable compartment & filter

ITEM # _____

MODEL # _____

NAME # _____

SIS # _____

AIA # _____



601492 (T8EFB)

Vegetable Peeler, 8kg with abrasive plate, removable compartment and filter - 220-240V/1/50

Short Form Specification

Item No. _____

Can be placed on a worktop. 8 kg, removable stainless steel peeling chamber contains the abrasive plate which also serves as a container for carrying the vegetables. Vegetables can be loaded directly into the peeling chamber, away from the machine. Easily assembled onto the base, with the drive shaft fitting into the centre of the plate. The transparent cover closes the cylinder during the peeling operations. Timer pre-set to 3 minutes. Peeling speed: 305 rpm. Removable water inlet, on the cover, designed to serve as a spray for cleaning the machine. The electronic controls and the motor of the peeler have IP55 protection. Optional drying basket.

Supplied with abrasive plate, abrasive cylinder and integrated/removable filter basket.

Main Features

- Removable stainless steel peeling chamber to contain the abrasive plate which also serves as a container to carry the vegetables.
- Supplied with:
 - abrasive plate and abrasive cylinder as standard
- Removable water inlet, clipped to the cover, designed to serve as a spray to clean the machine.
- Red OFF, green ON buttons.
- Peeling time on timer preset to 3 minutes
- Easily fits onto the base, with the drive shaft fitting into the center of the plate.
- Integrated built-in filter device, removable for cleaning.
- Dishwasher safe removable parts.
- Unit can be placed on a work top.
- Suitable for 80-150 meals per service.
- Transparent lid to close the cylinder during peeling operations.

Construction

- 1 speed: 305 rpm.
- IP55 waterproof control buttons.
- Transparent BPA free cover.

Included Accessories

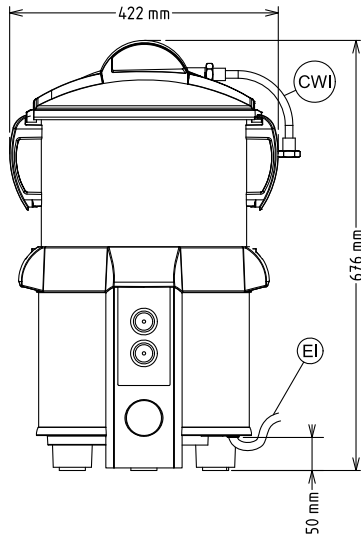
- 1 of Abrasive plate for 5/8 kg vegetable peeler PNC 653316
- 1 of Filter basket for 8 kg vegetable peeler and 5/8 kg seashell cleaners PNC 653514

Optional Accessories

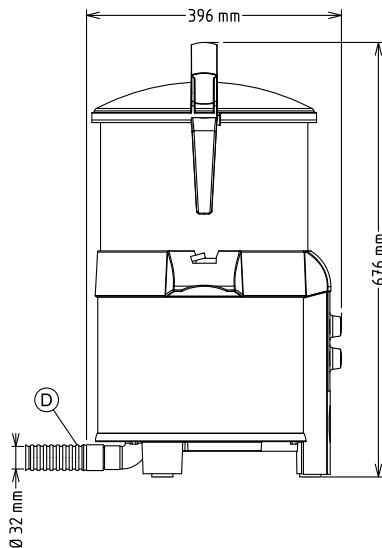
- Abrasive plate for 5/8 kg vegetable peeler PNC 653316
- Drying basket for 8 kg vegetable peeler (only T8E) PNC 653495
- Stainless steel table for 5 and 8 kg vegetable peelers PNC 653496
- Filter basket for 8 kg vegetable peeler and 5/8 kg seashell cleaners PNC 653514

APPROVAL: _____

Front

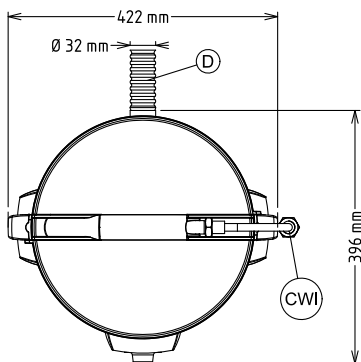


Side



CWI = Cold Water inlet 1 (cleaning)
 D = Drain
 EI = Electrical inlet (power)

Top



Electric

Supply voltage:

601492 (T8EFB)

220-240 V/1N ph/50/60 Hz

Capacity:

Performance (up to):

130 - kg/hour

Capacity:

8 kg

Key Information:

External dimensions, Width: 422 mm

External dimensions, Depth: 396 mm

External dimensions, Height: 676 mm

Shipping weight:

25 kg